

Installation instructions for PZ4AL-01695-00
Under Run AT Case and Transfer Box Protective Shield

LEXUS GX



TOYOTA LC



Model Year: **GX 460 - 2009 - 2013 -**

Vehicle Code: URJ150L-GKTZKW

Part Number:



Weight:



Installation Time:

Manual reference number:

**LC 150 Diesel -
2009 - 2013 - 2015 -**
GRJ150L-GKAEKW
KDJ150L-GKAEYW

LC 150 Petrol - 2009 - 2013 -

GRJ150L-GKAEKW

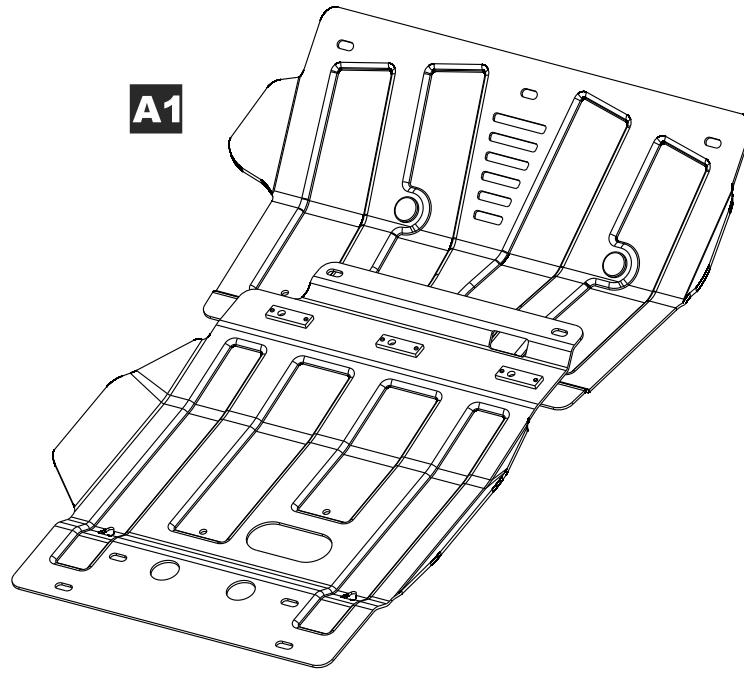
PZ4AL-01695-00

11,4 kg

30 min

AIM 001-928-0

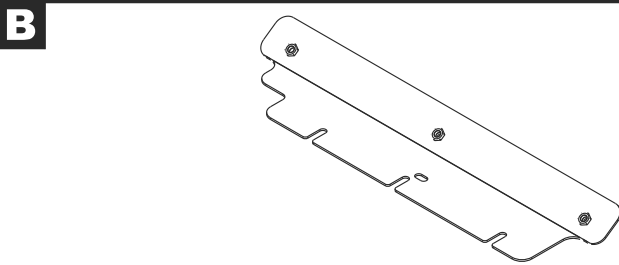
PZ4AL-01695-00



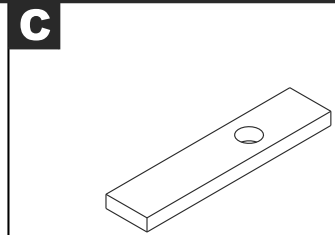
1x

1x

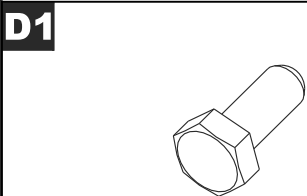
PZ4AL-01695-60



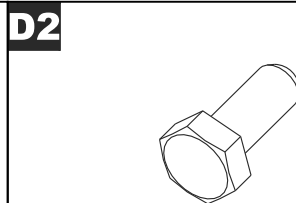
1x



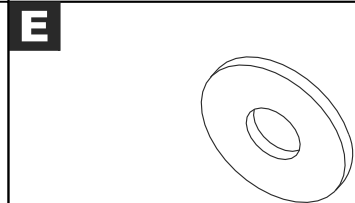
2x



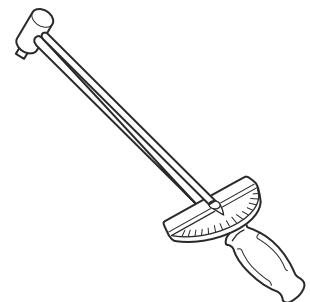
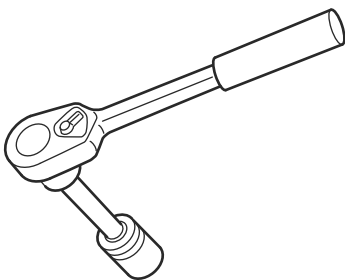
8x M10x30



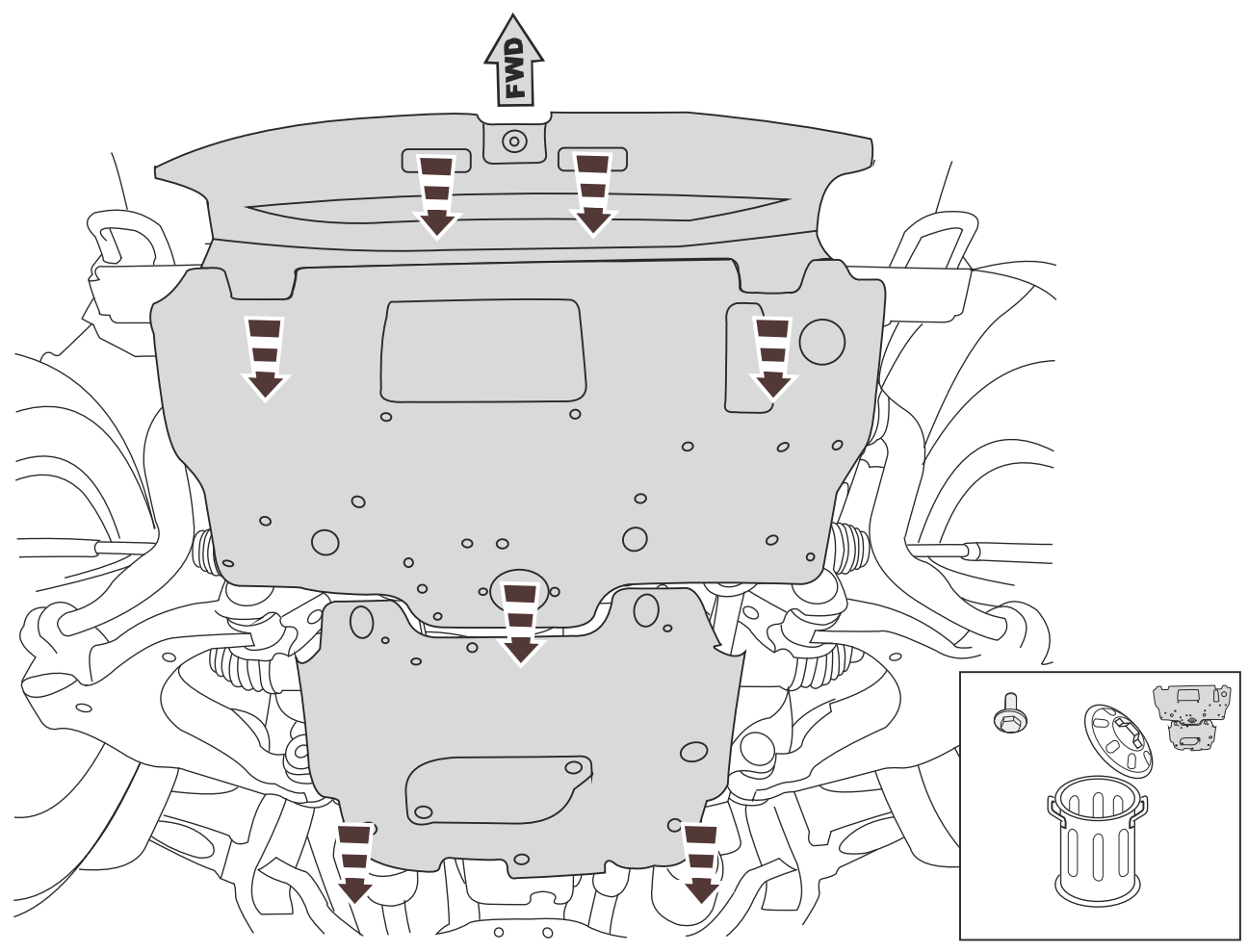
2x M10x1,25x30



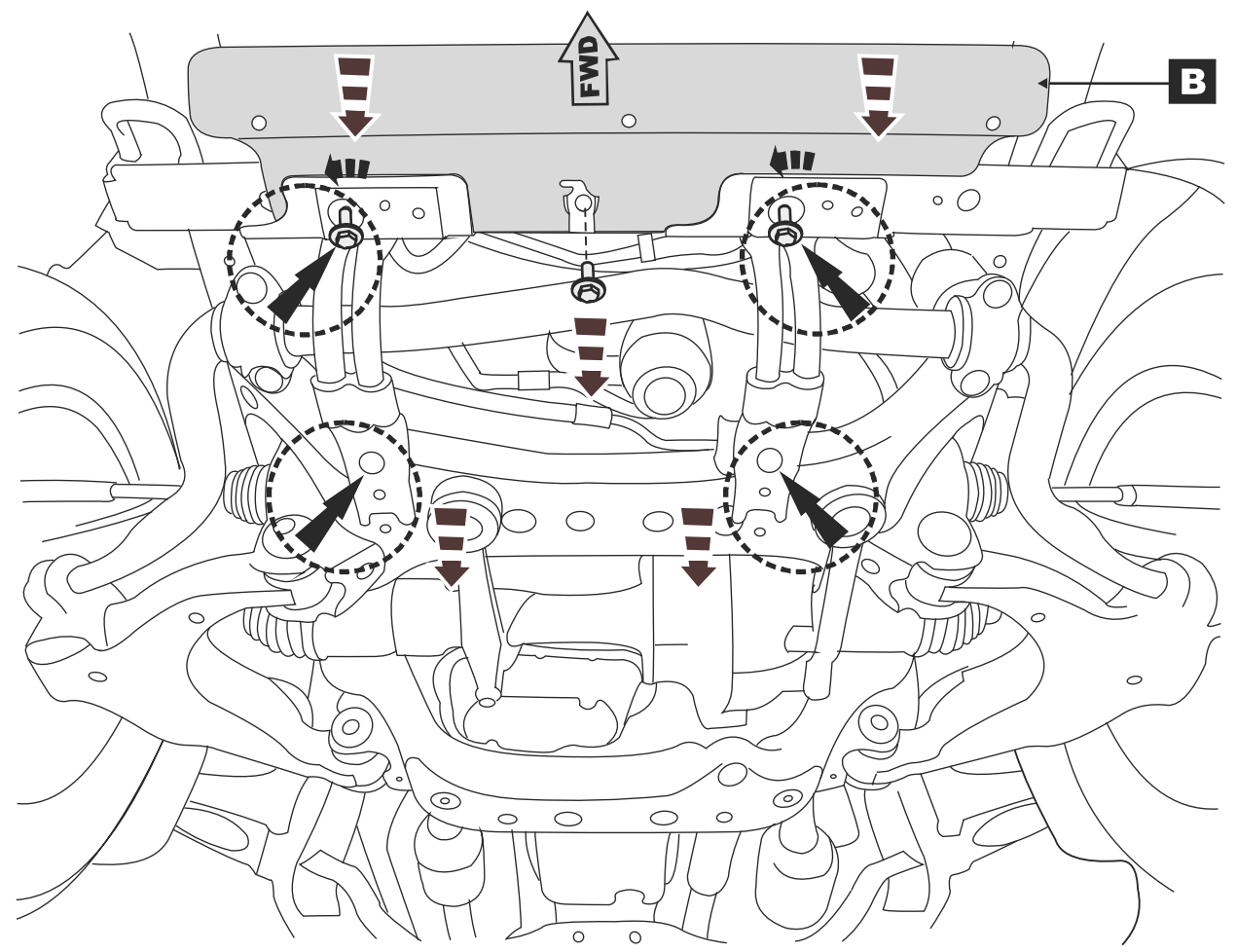
10x $\varnothing 10$



1



2



Part number:
PZ4AL-01695-00

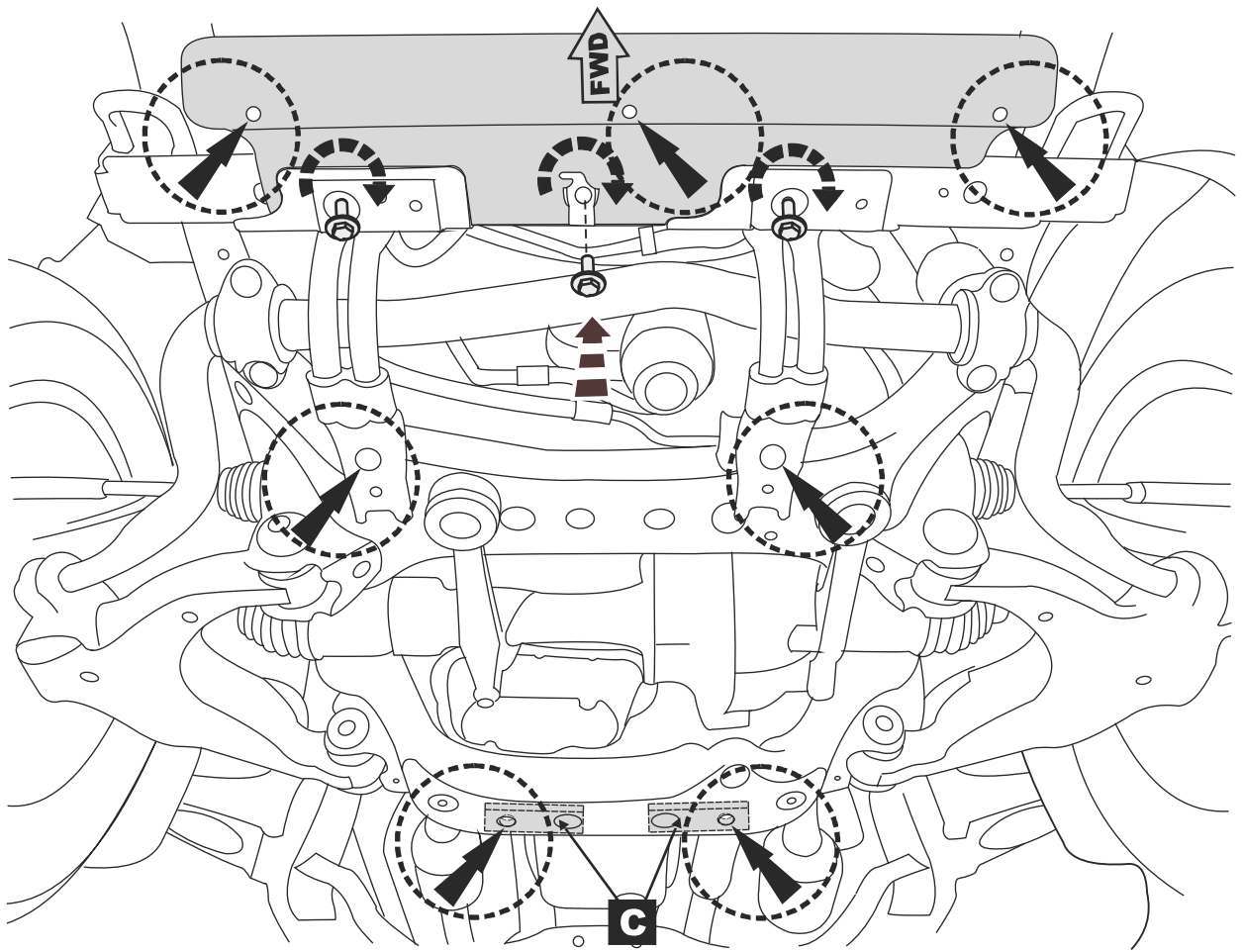
Issue:
0

Date:
18/09/14

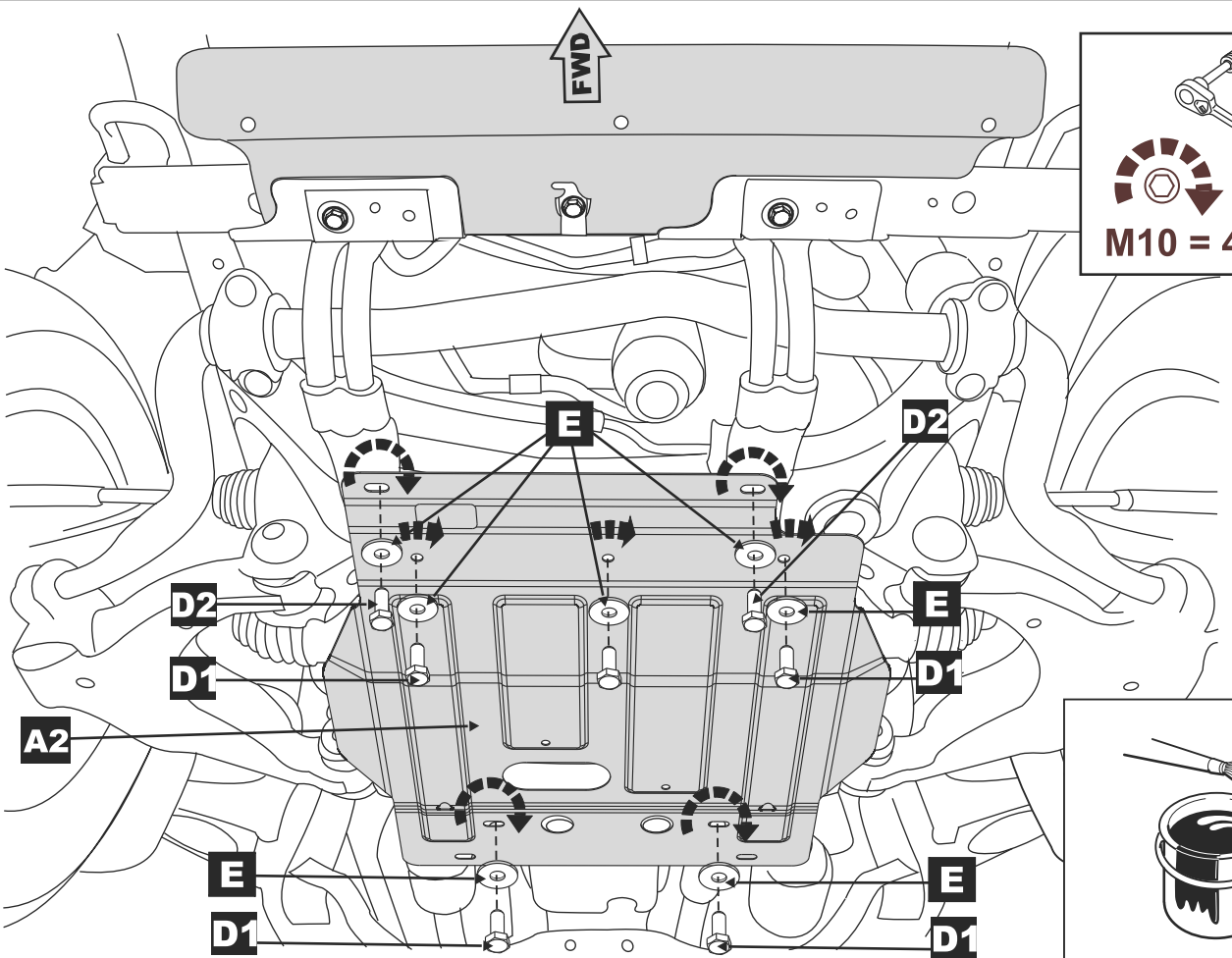
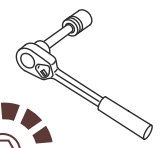

Manual reference number:
AIM 001-928-0

Page:
3/5

3



4

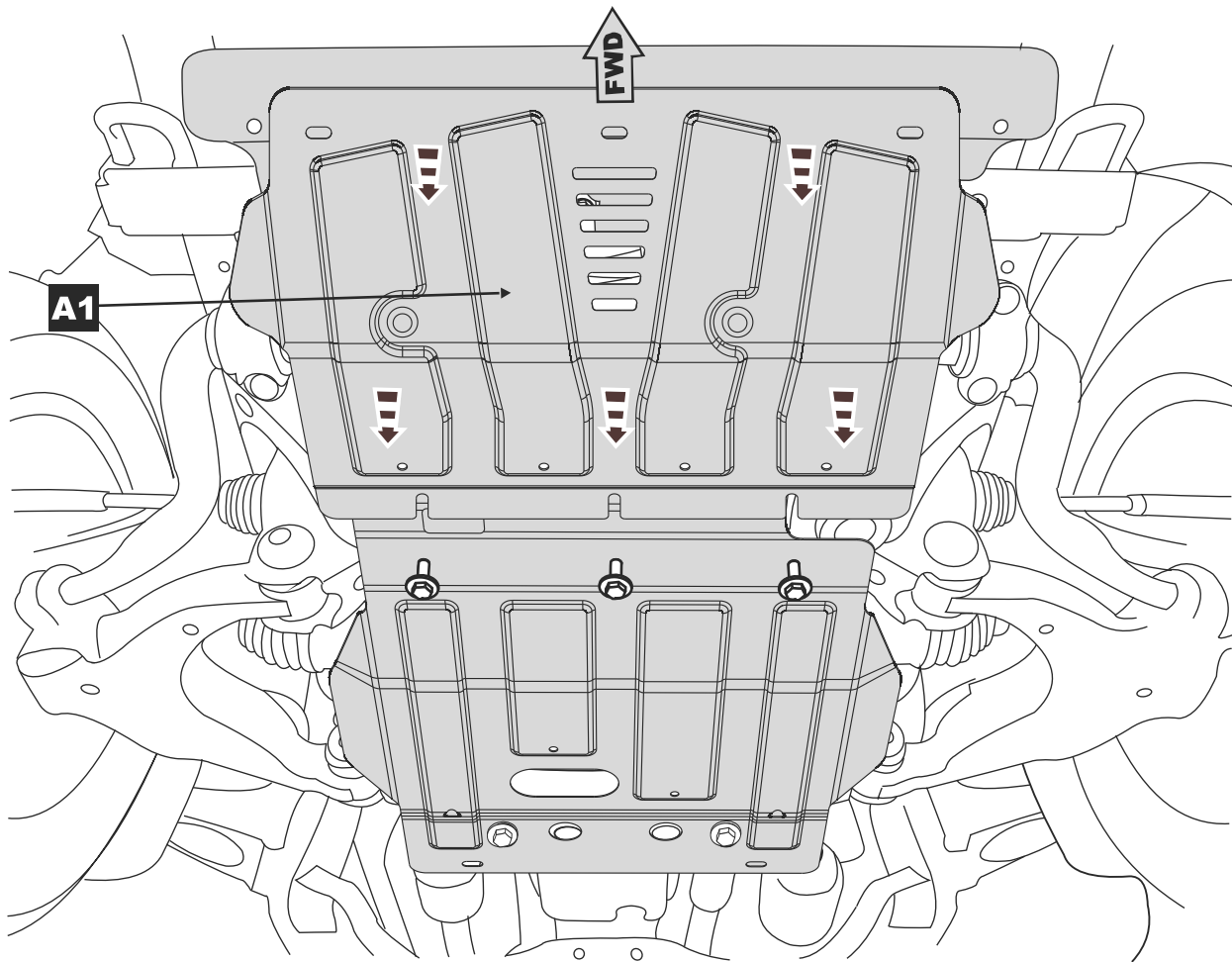




M10 = 47 Nm

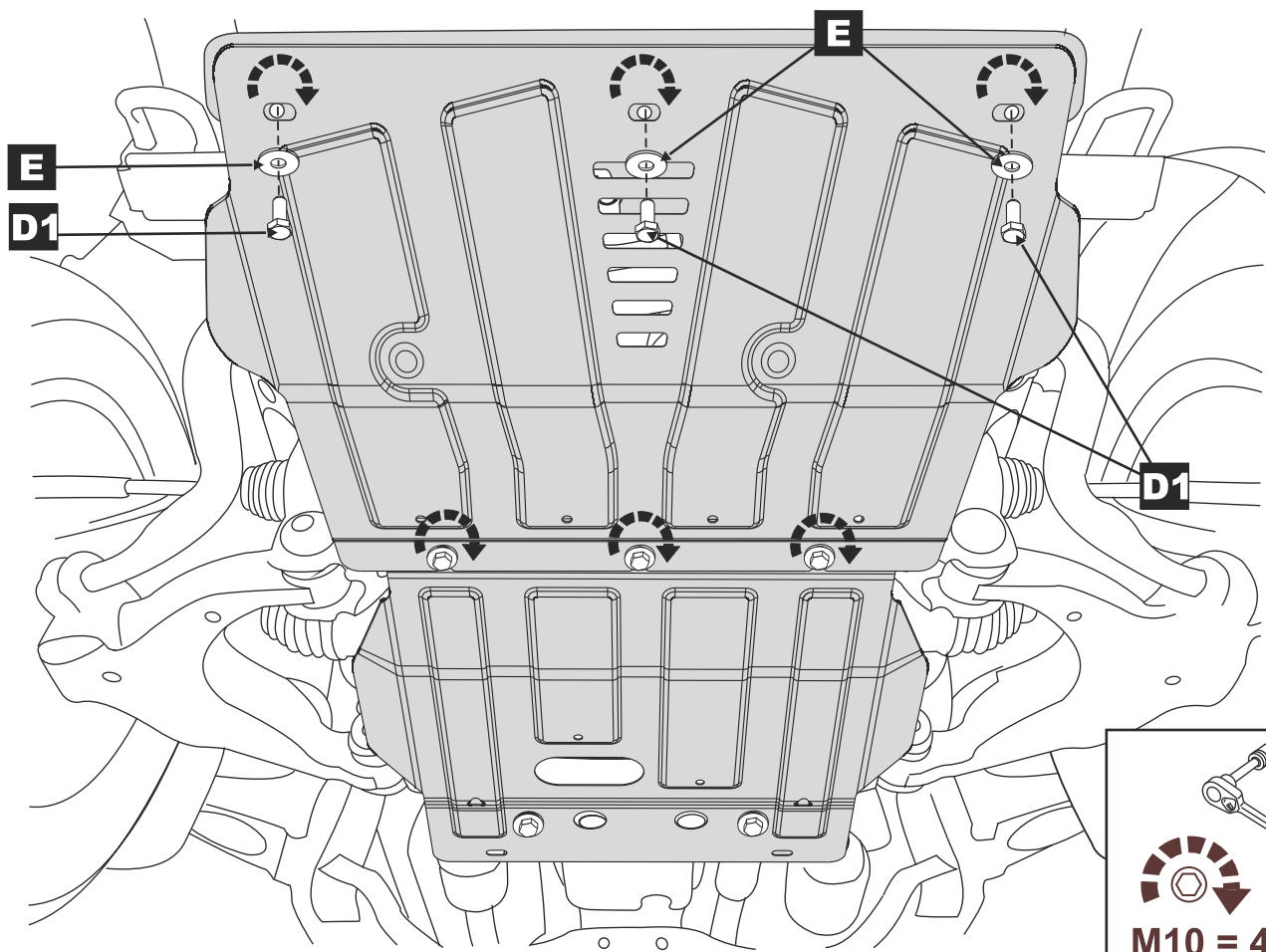


Part number: PZ4AL-01695-00	Issue: 0	Date: 18/09/14	Manual reference number: AIM 001-928-0	Page: 4/5
--------------------------------	-------------	-------------------	---	--------------

5



6



M10 = 47 Nm

Part number: PZ4AL-01695-00	Issue: 0	Date: 18/09/14	Manual reference number: AIM 001-928-0	Page: 5/5
--------------------------------	-------------	-------------------	---	--------------