

Installation instructions for 24.2936 / 24.2937 /24.4040
Under Run Protective Shield Fuel Tank

TOYOTA Hilux



Hilux

2015-

Model year:

Applicability:

GUN125L-DTFSHW; GUN125L-DTFMHW
GUN126L-DTTMHW; GUN126L-DTTHHW

Part Number:

Steel: PZ4AL-2936-00
Aluminium: PZ4AL-2937-00



Weight:

Steel: 10.66 kg
Aluminium: 5.82 kg

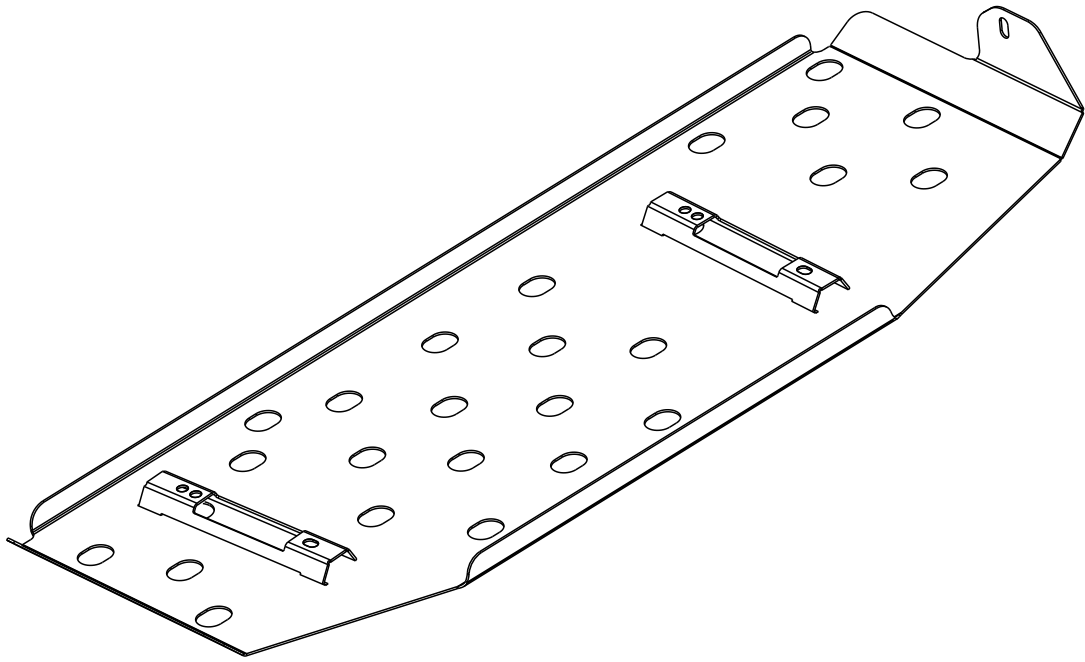


Installation Time:

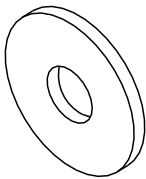
30 min

Rev.1 27.10.2015

A



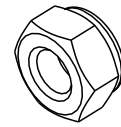
B



d=8

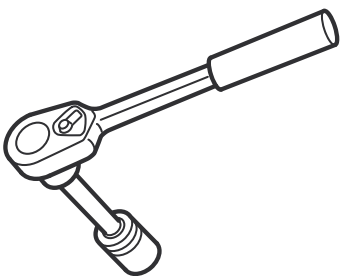
5x

C



M8

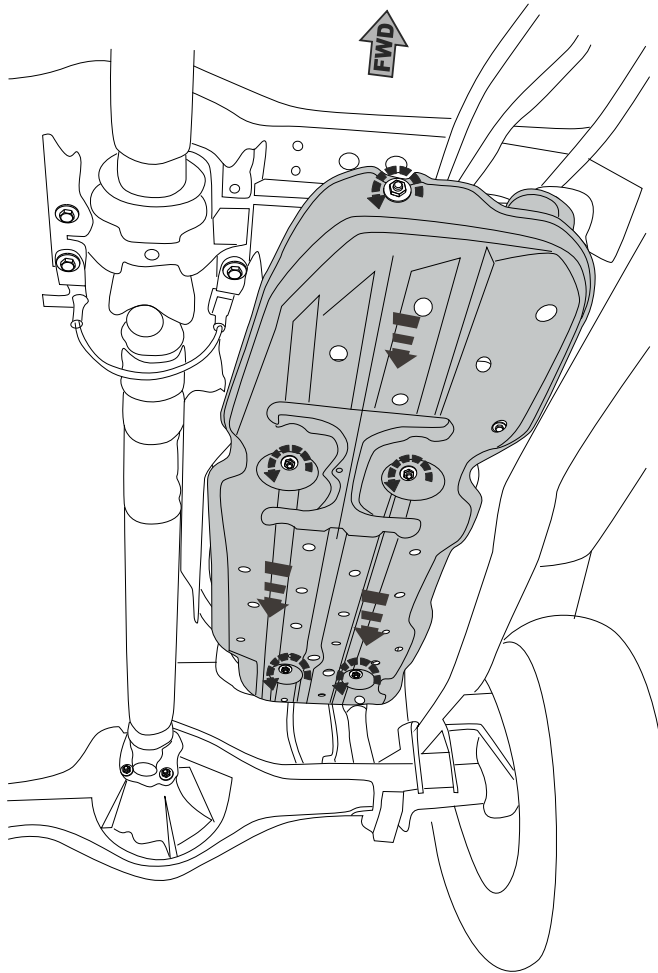
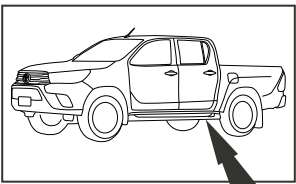
5x



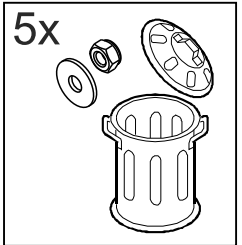
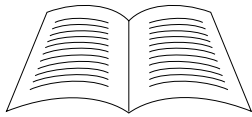
13 mm



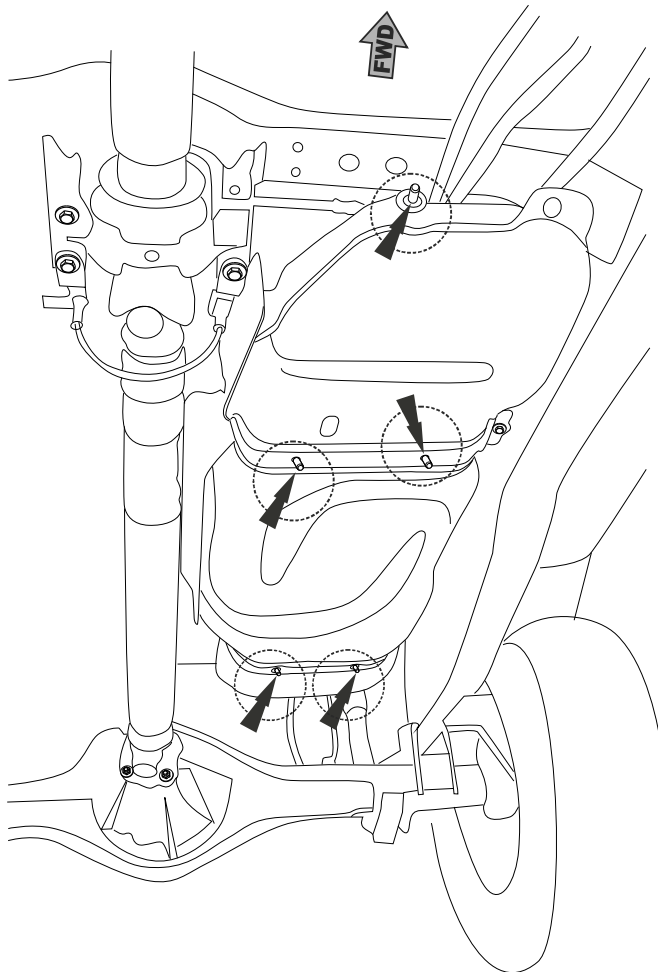
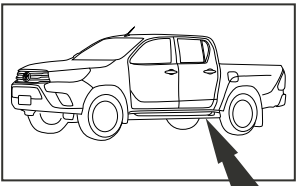
1



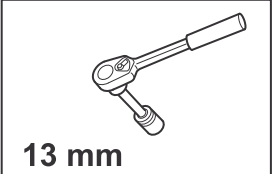
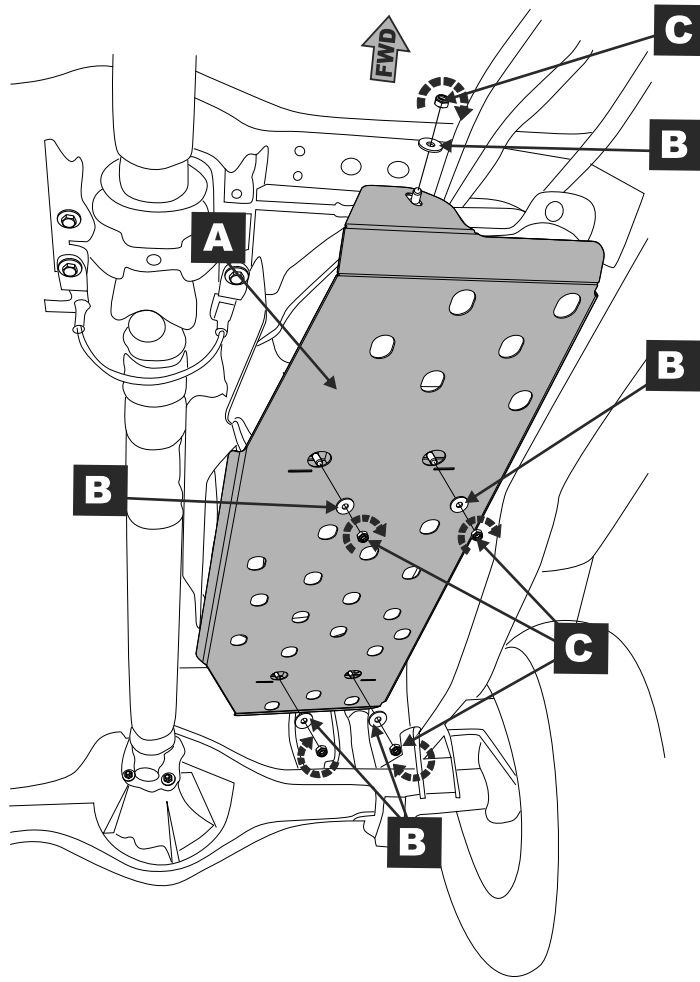
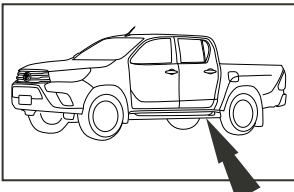
see repair manual



2



3



4

