

Installation instructions for 24.2936 / 24.2937
Under Run Protective Shield Fuel Tank

TOYOTA Hilux



Hilux

2015-

Model year:

Applicability:

GUN125L-DTFSHW; GUN125L-DTFMHW
GUN126L-DTTMHW; GUN126L-DTTHHW

Part Number:

Steel: PZ4AL-2936-00
Aluminium: PZ4AL-2937-00



Weight:

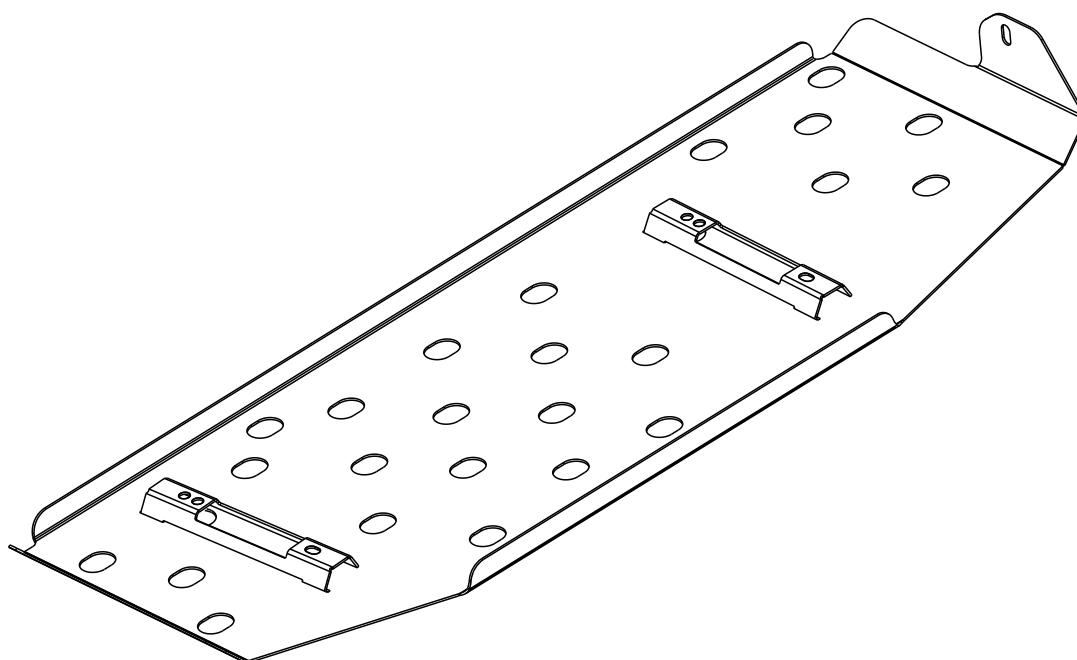
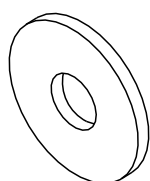
Steel: 10.66 kg
Aluminium: 5.82 kg



Installation Time:

30 min

Rev.1 27.10.2015

A**B**

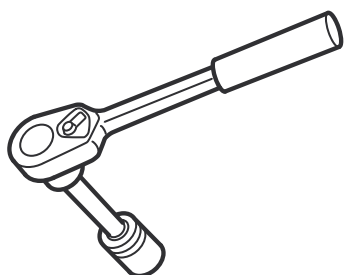
d=8

5x

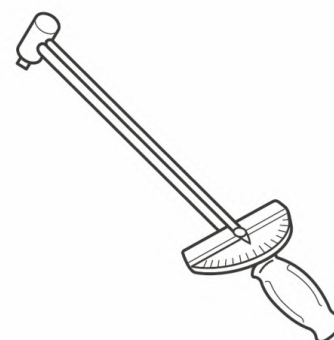
C

M8

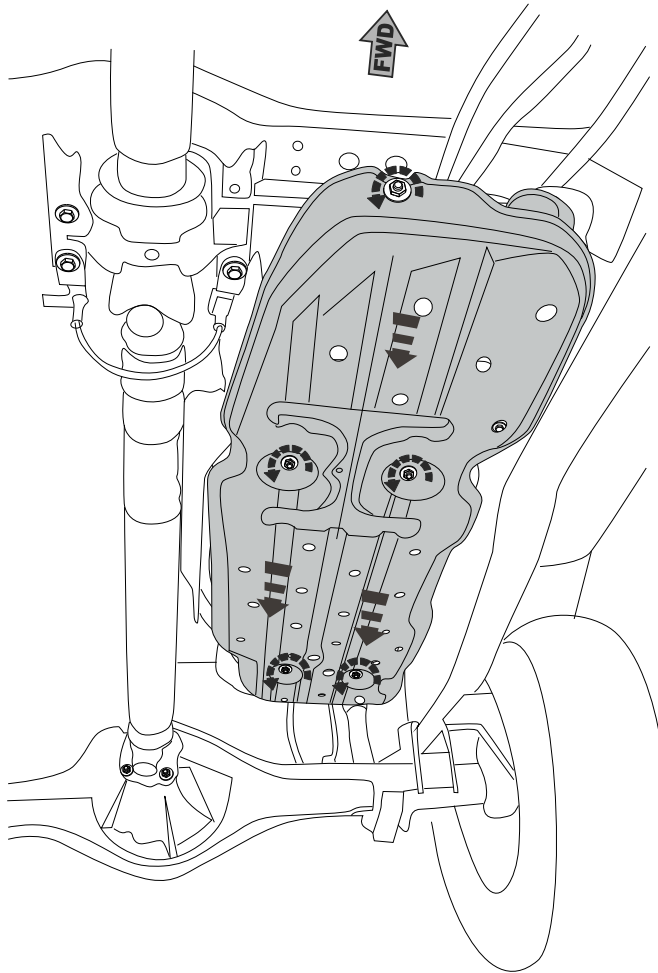
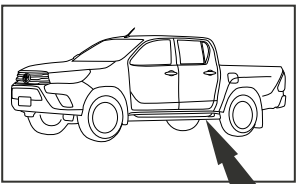
5x



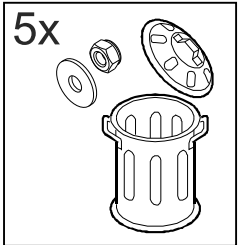
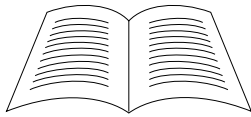
13 mm



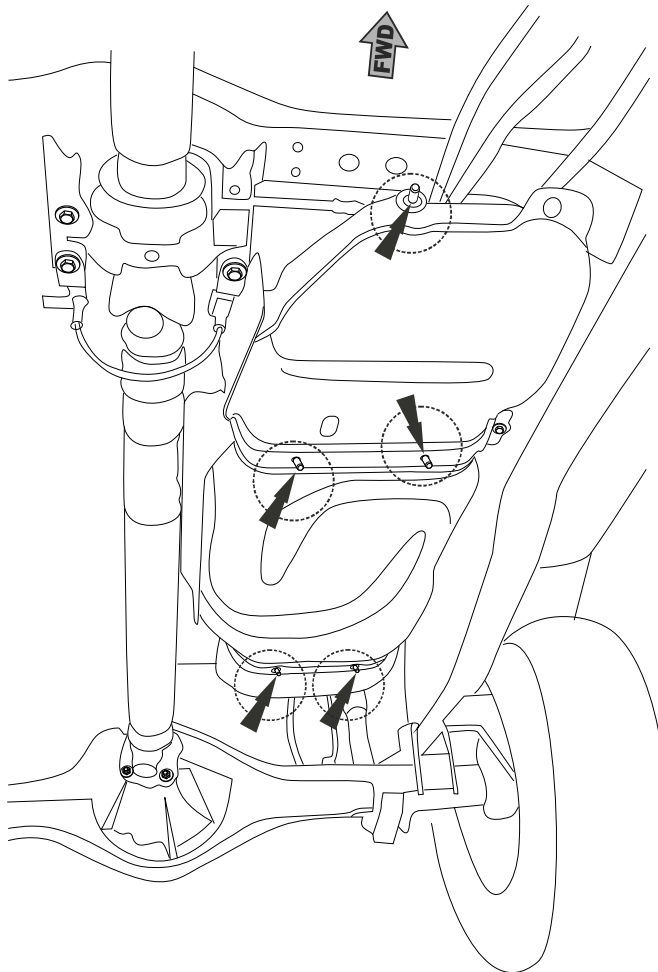
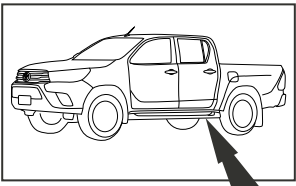
1



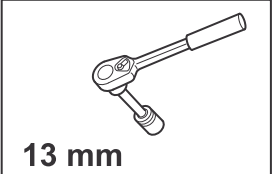
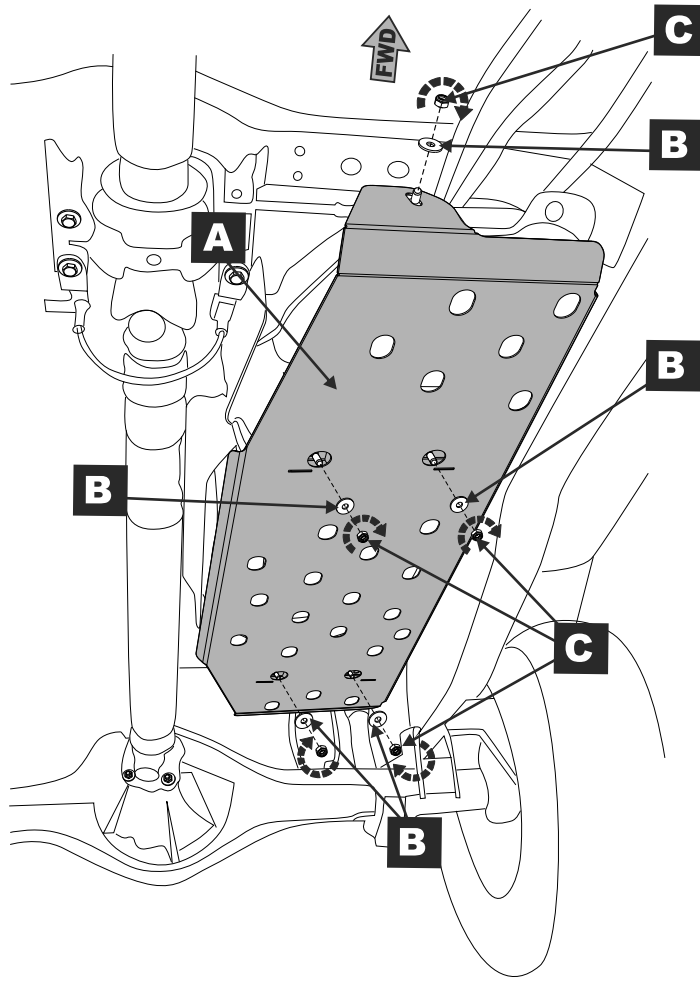
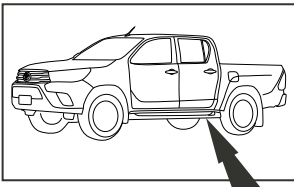
see repair manual



2



3



4

