

Installation instructions for 24.2932 / 24.2933
Under Run Protective Shield Engine Bay

TOYOTA Hilux



Hilux

2015-

Model year:

Applicability:

GUN125L-DTFSHW; GUN125L-DTFMHW
GUN126L-DTTMHW; GUN126L-DTTHHW

Part Number:

Steel: PZ4AL-2932-00
Aluminium: PZ4AL-2933-00



Weight:

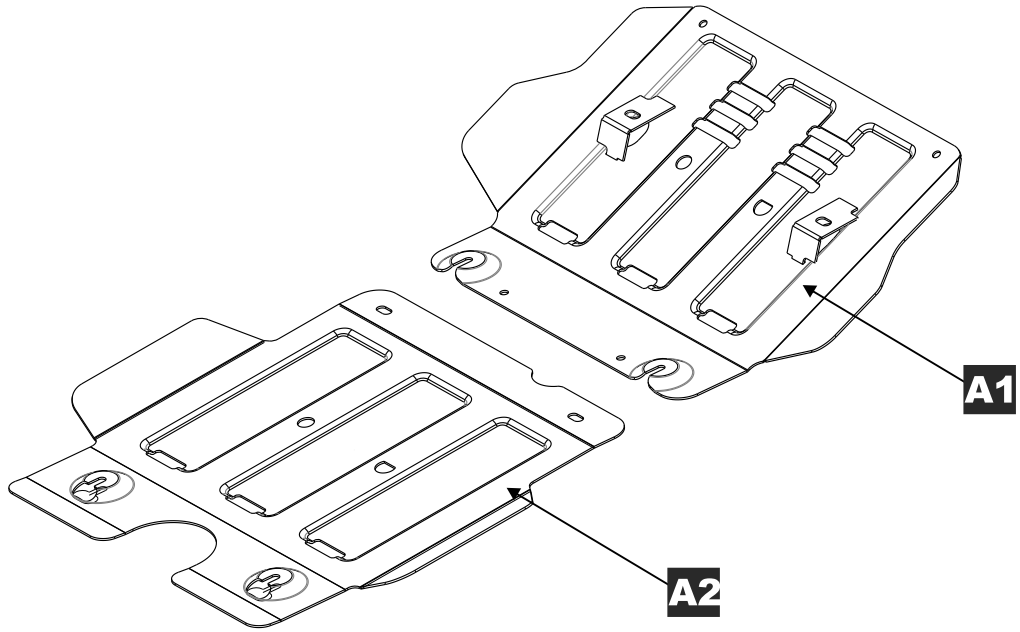
Steel: 10.93 kg
Aluminium: 6.01 kg



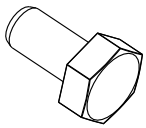
Installation Time:

30 min

Rev.1 12.10.2015



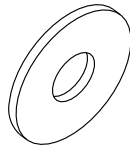
B



M8x30

6x

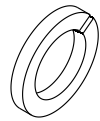
C



d=8

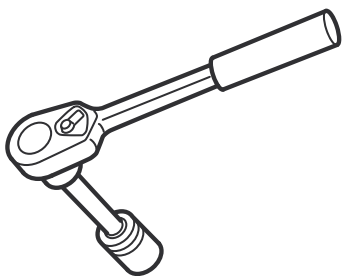
6x

D



d=8

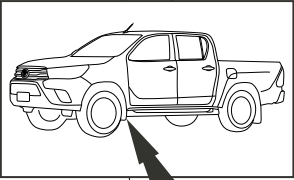
6x



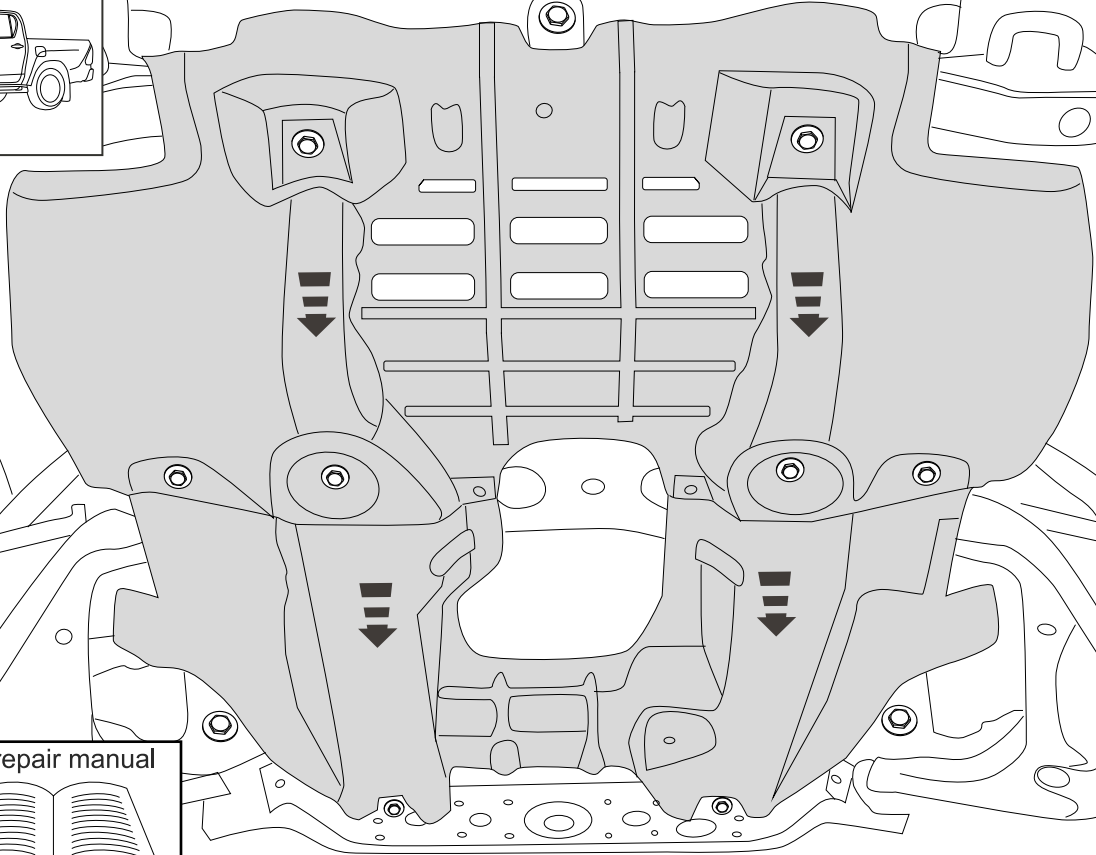
13 mm



1



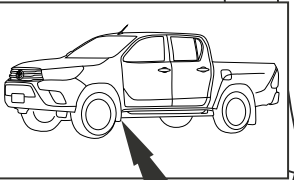
FWD ↑



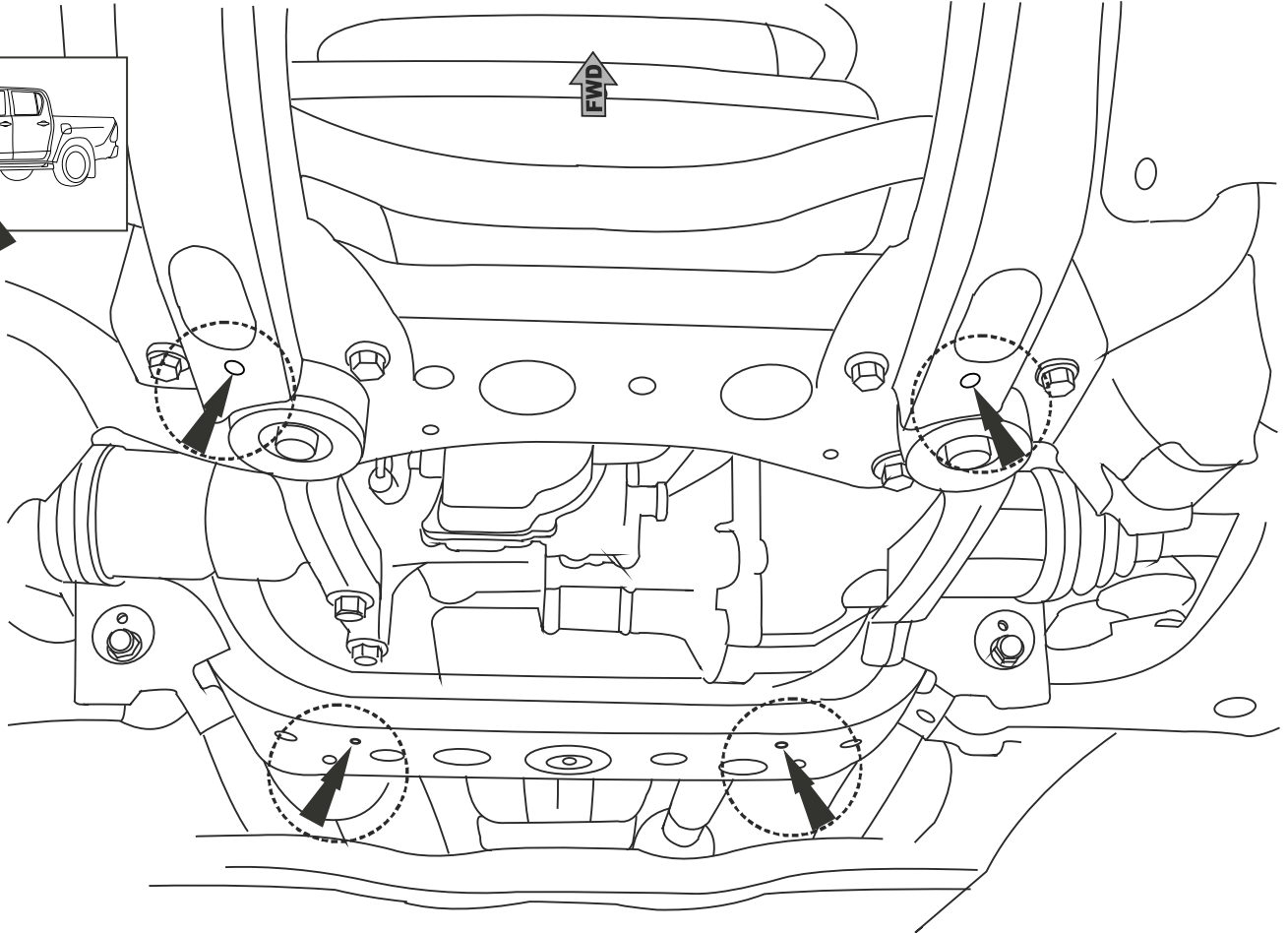
see repair manual



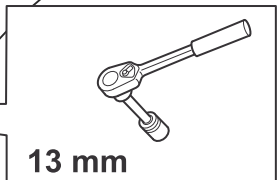
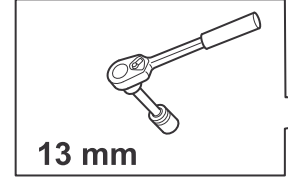
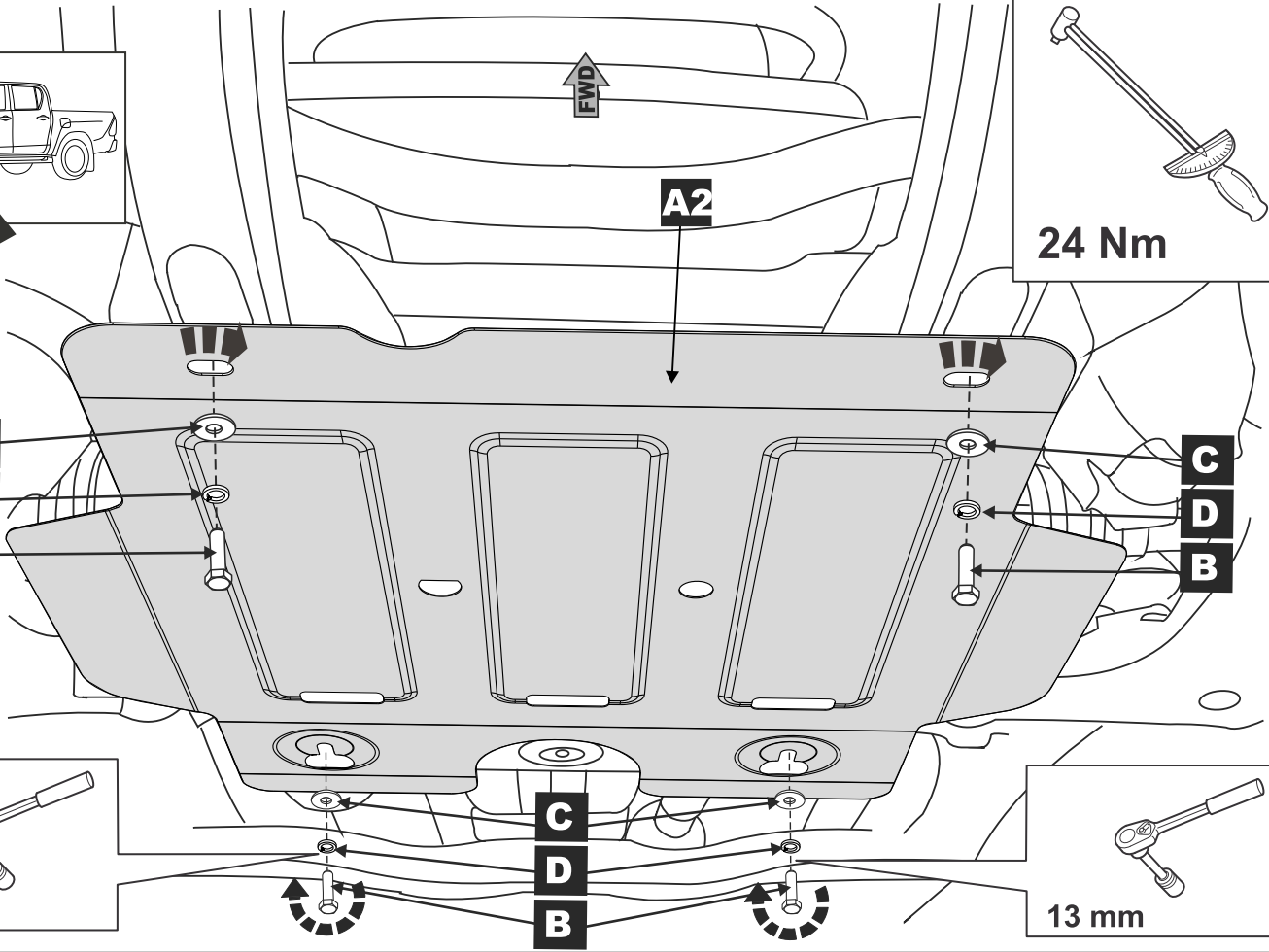
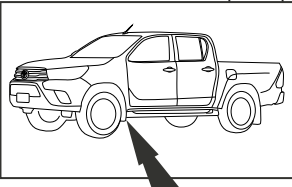
2



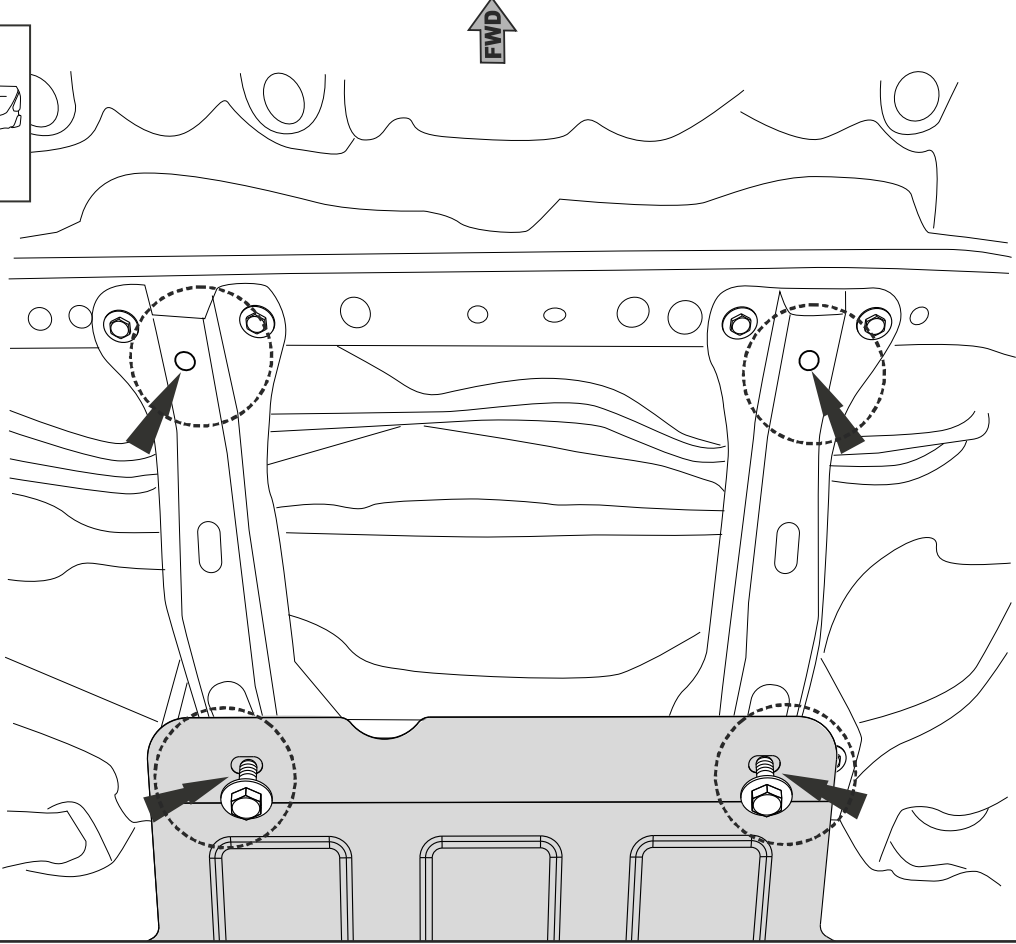
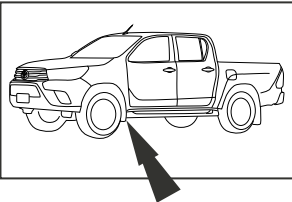
FWD ↑



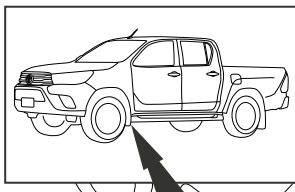
3



4



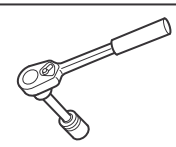
5



FWD ↑

A1

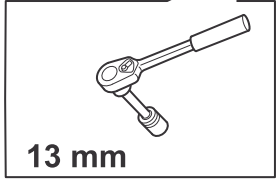
13 mm



24 Nm

C
D
B

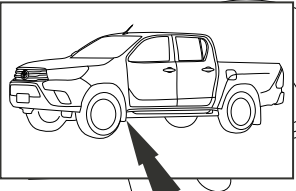
C
D
B



13 mm



6



FWD ↑

