



**TOYOTA Land Cruiser 76 (4.2 D MT)**

**2012**

24.2559/24.2560

18/07/14

1/8



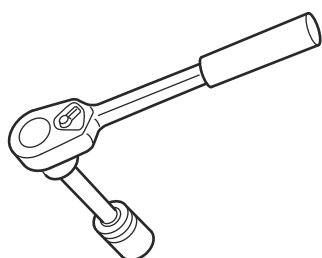
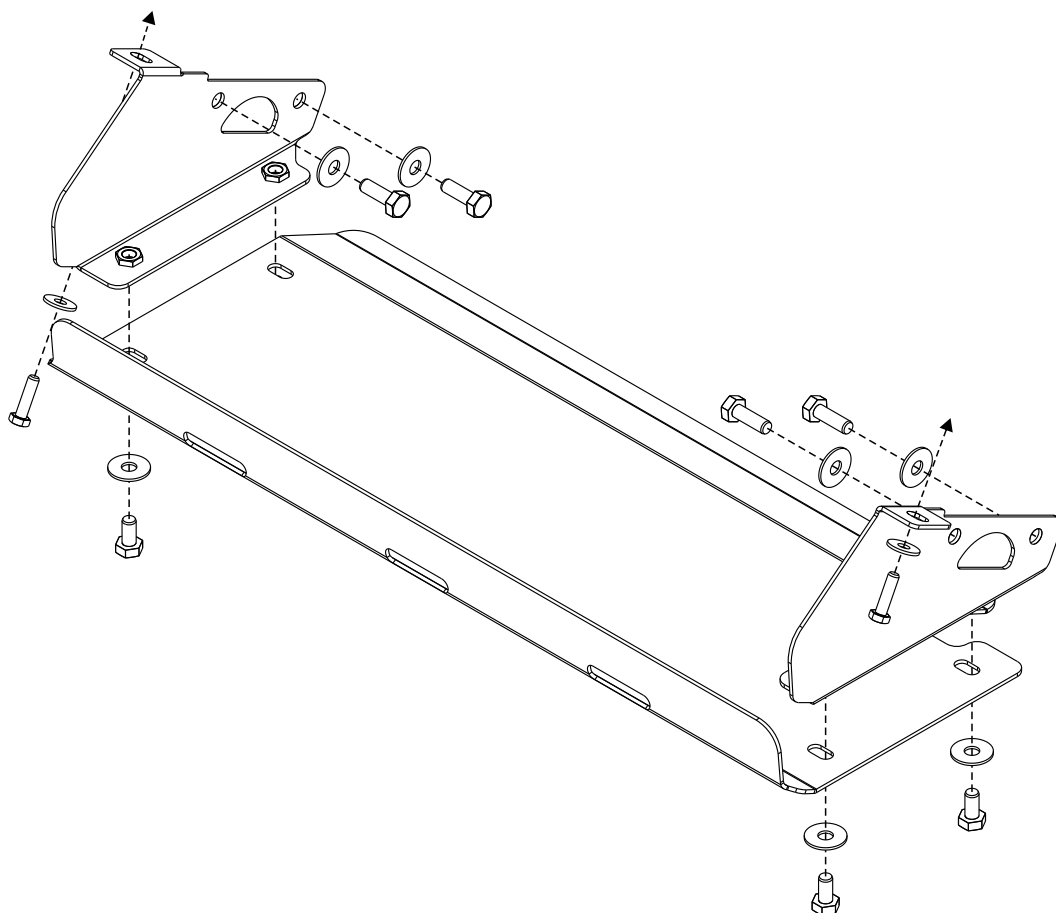
**(GB)** Location/Position Arrow

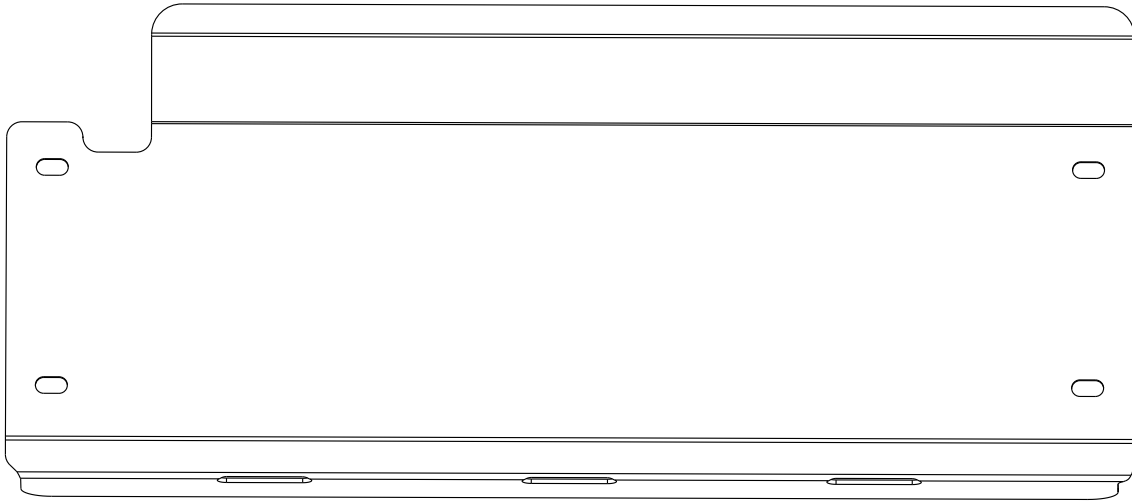


**(GB)** Movement Arrow



**(GB)** Screw Arrow



**A**

1X

**B**

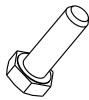
M8x30

2X

**C**

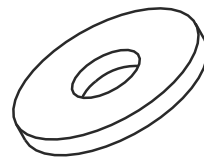
Ø 8

2X

**D**

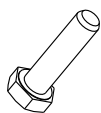
M10x20

4X

**E**

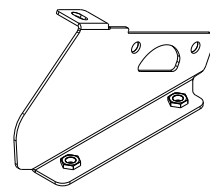
Ø 10

8X

**F**

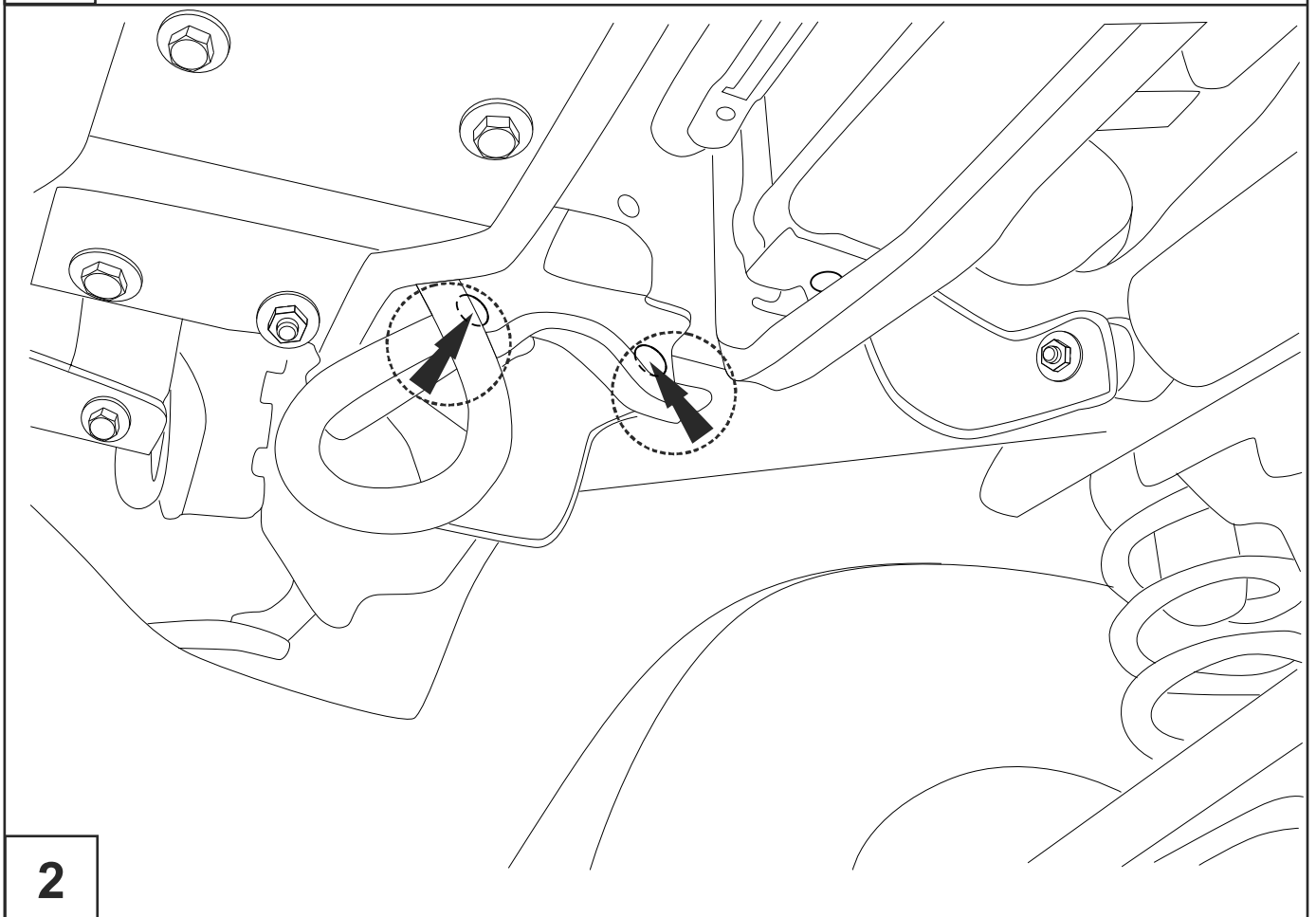
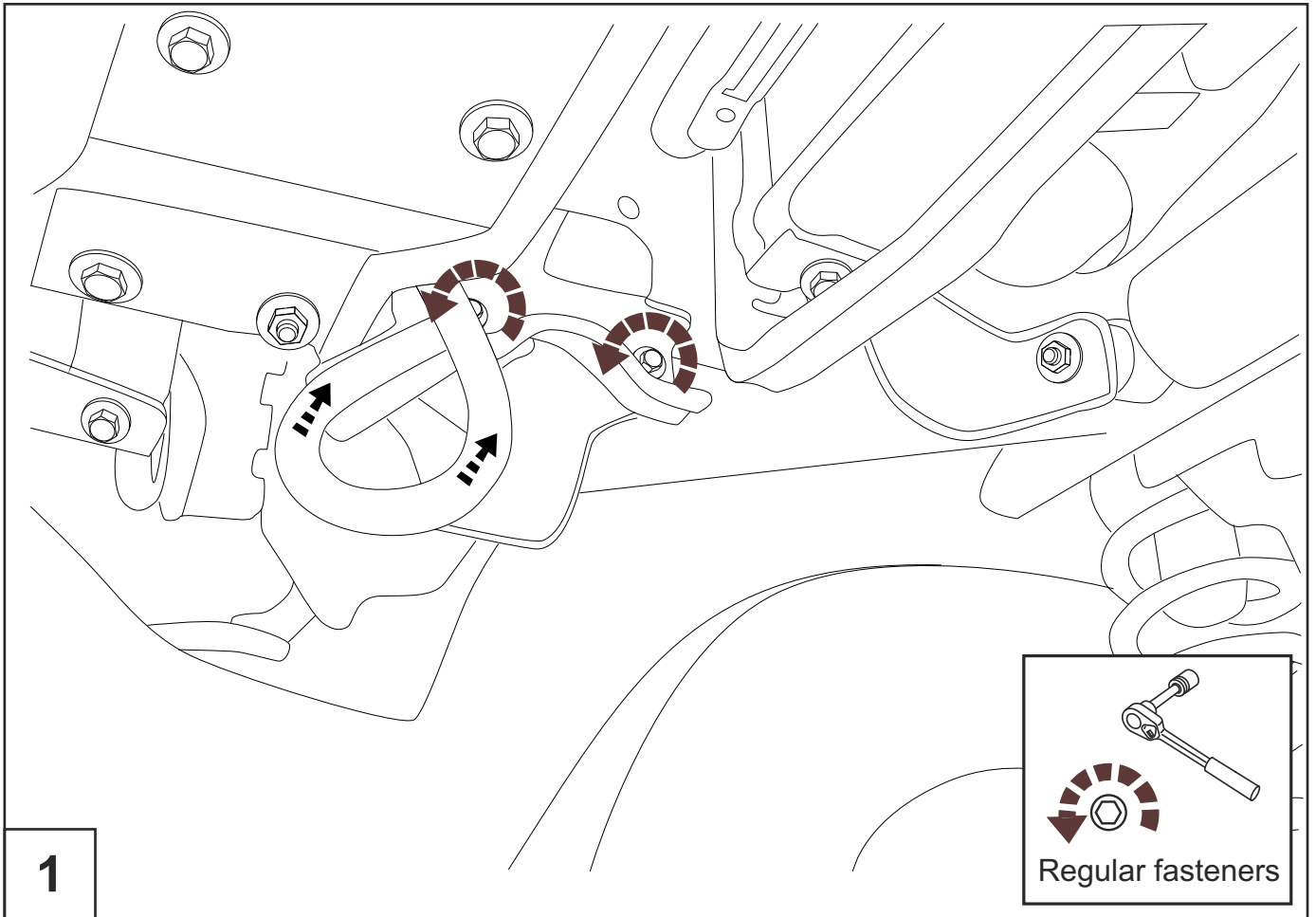
M10x30

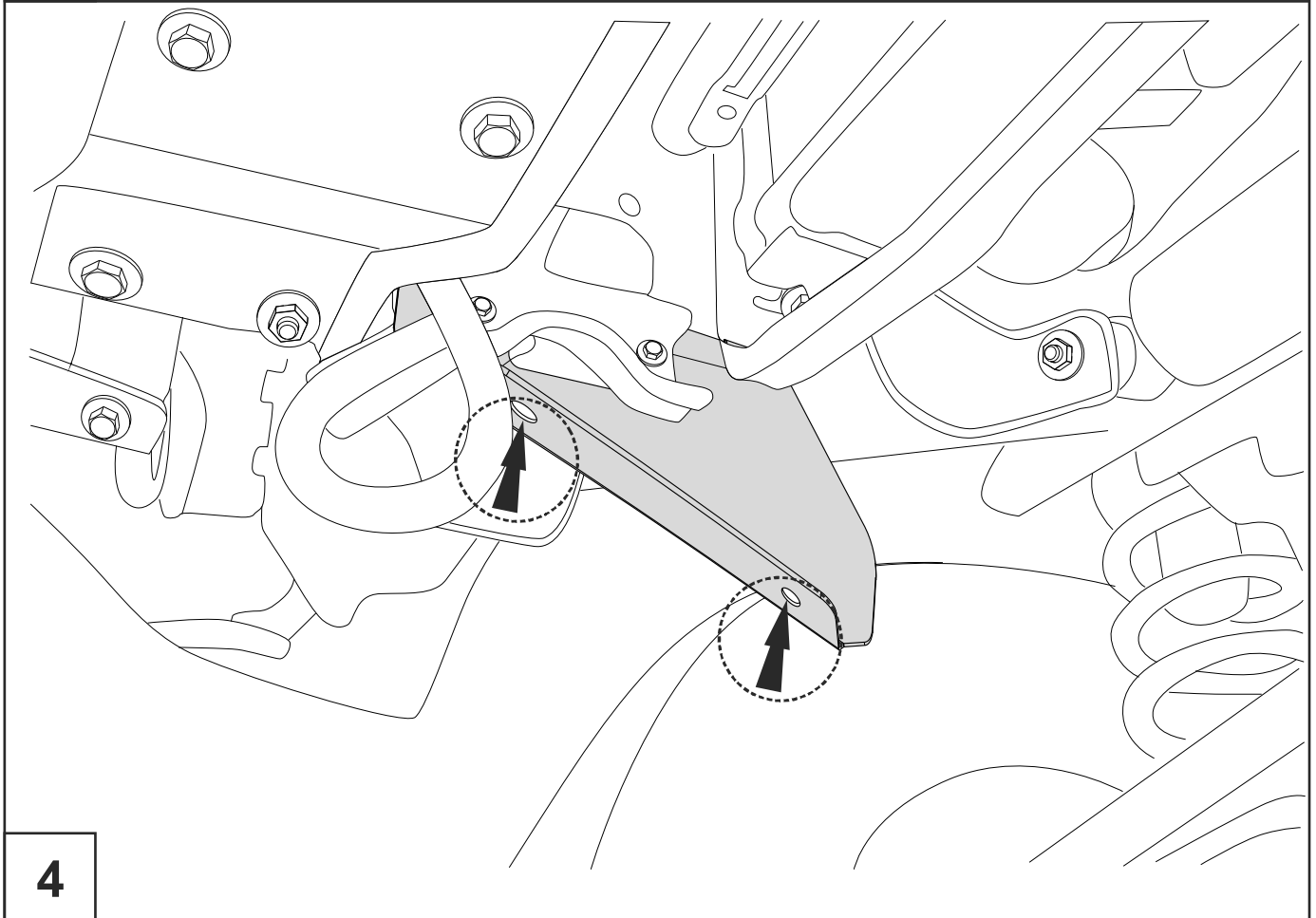
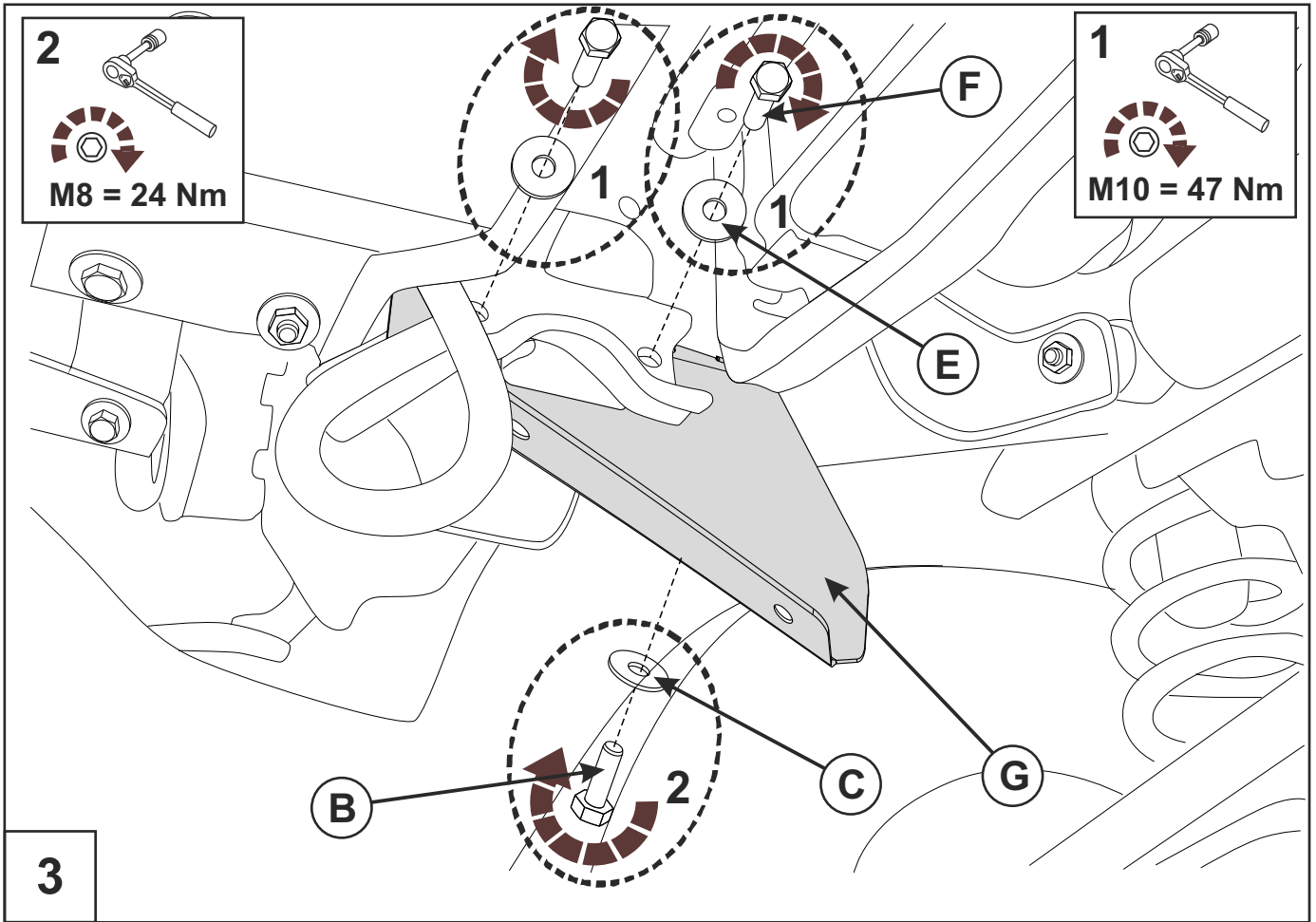
4X

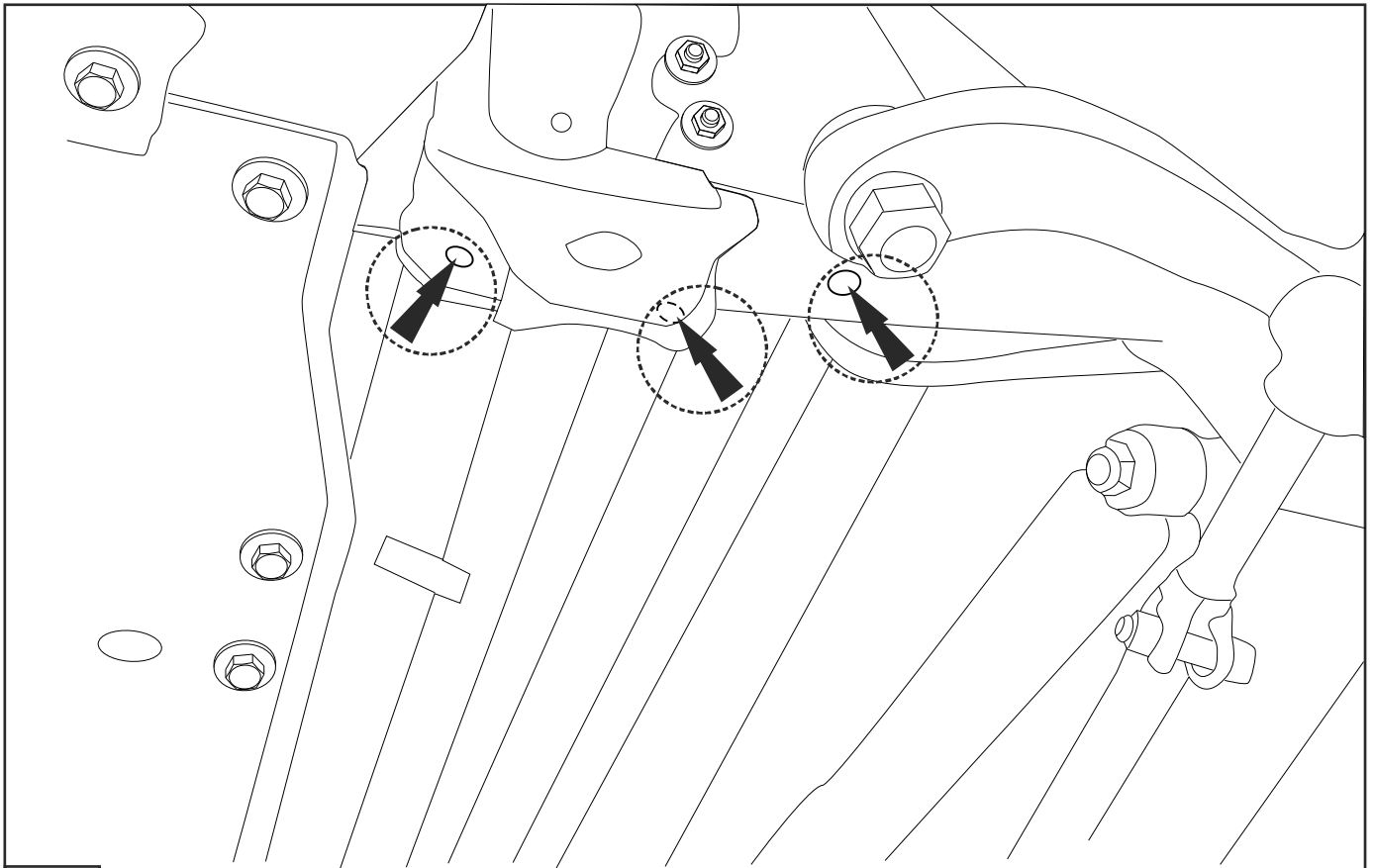
**G**

2X

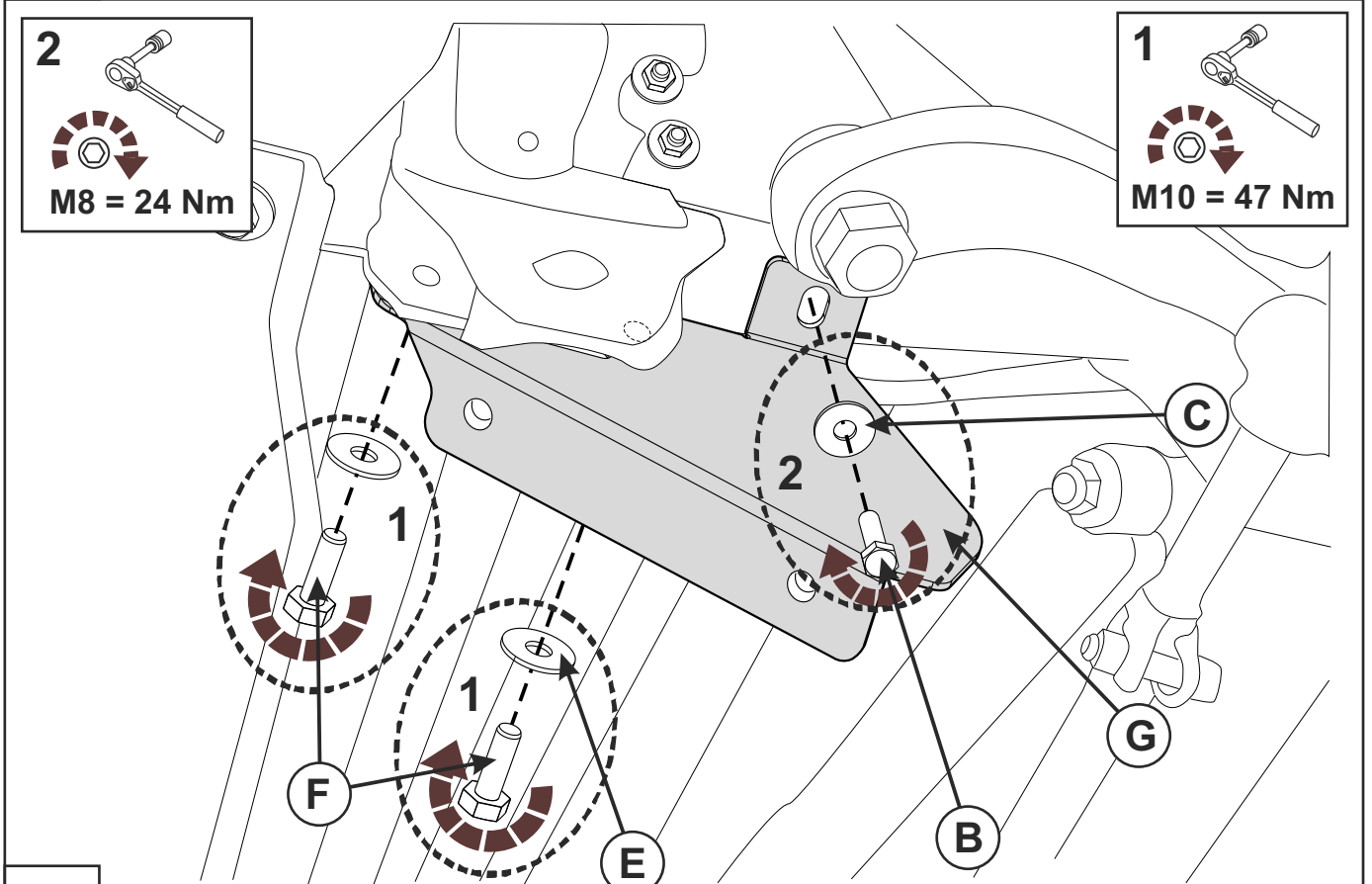




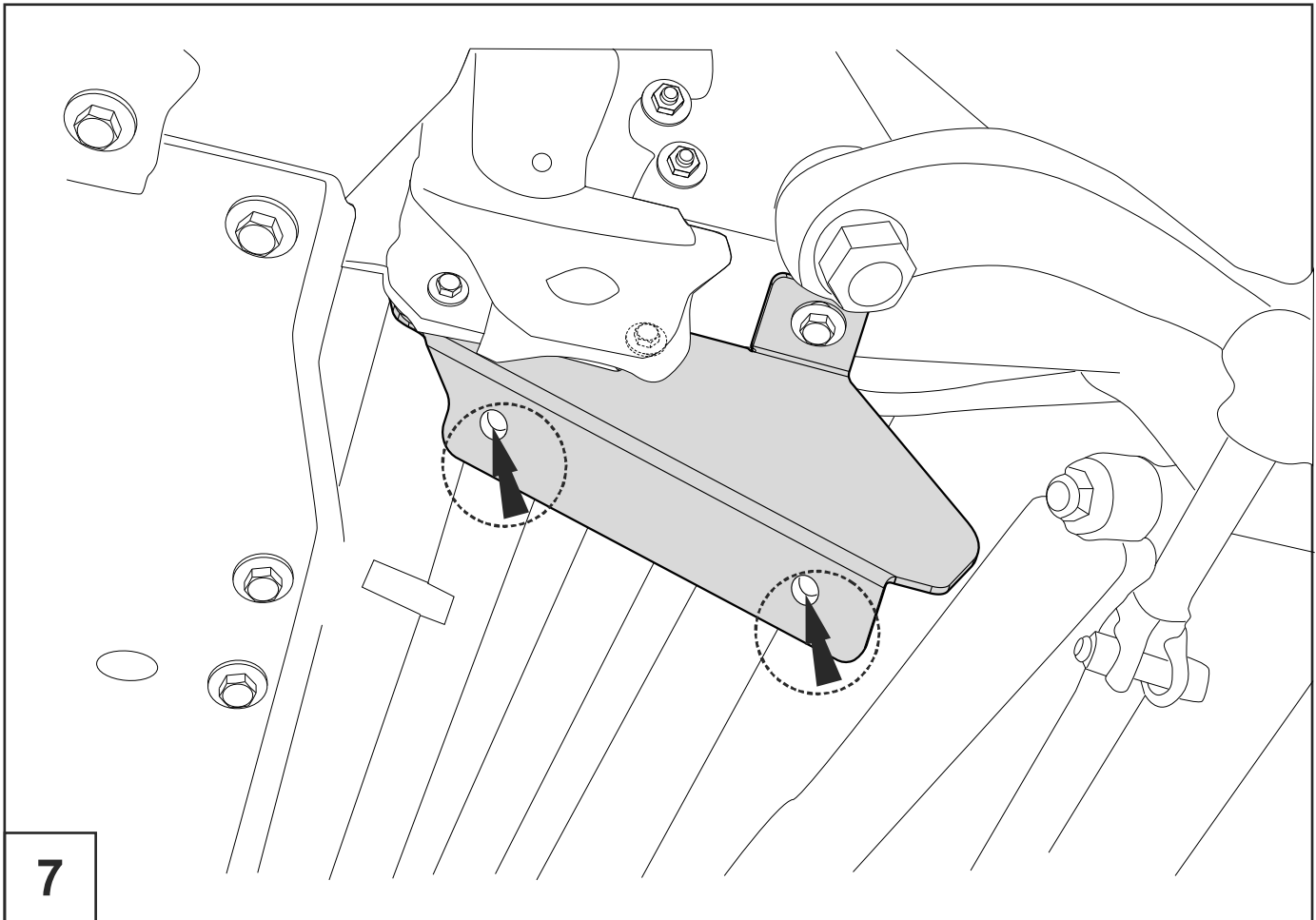




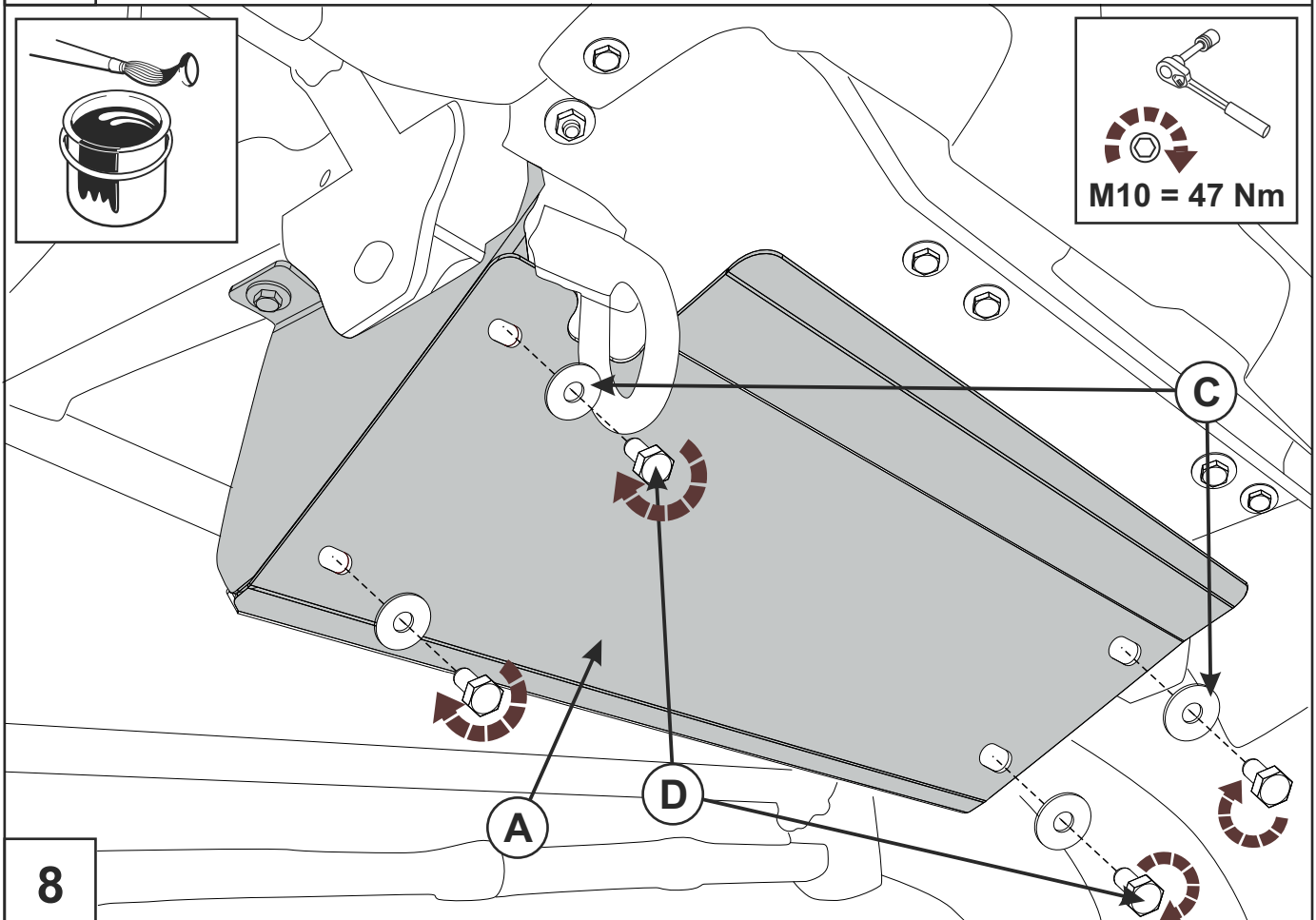
**5**



**6**



7



8

