



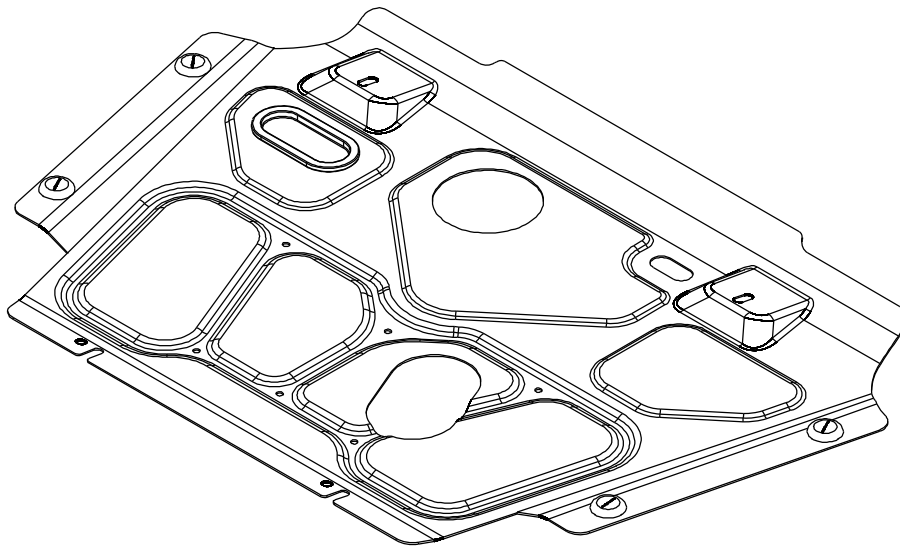
# Under Run Protective Shield

## TOYOTA Auris

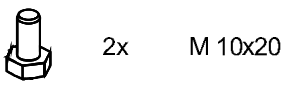


Model Year	2009	
Vehicle Code	ZZE150L-*W; ZZE151L-*W; NRE150L-D*F*KW	
Part Number	24.2370	
 Weight	10Kg	
 Installation Time	20min	
Manual reference number	AIM 001 -910-0	AIM 001 -909-0

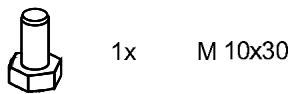
**A**



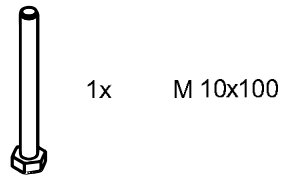
**B1**



**B2**



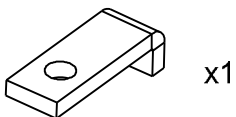
**B3**



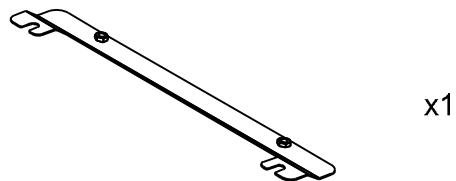
**C**



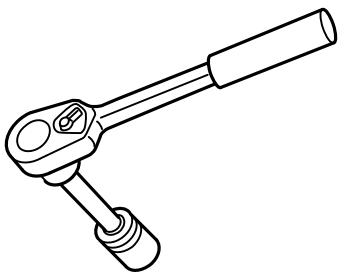
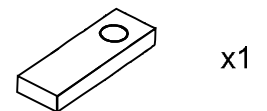
**D**



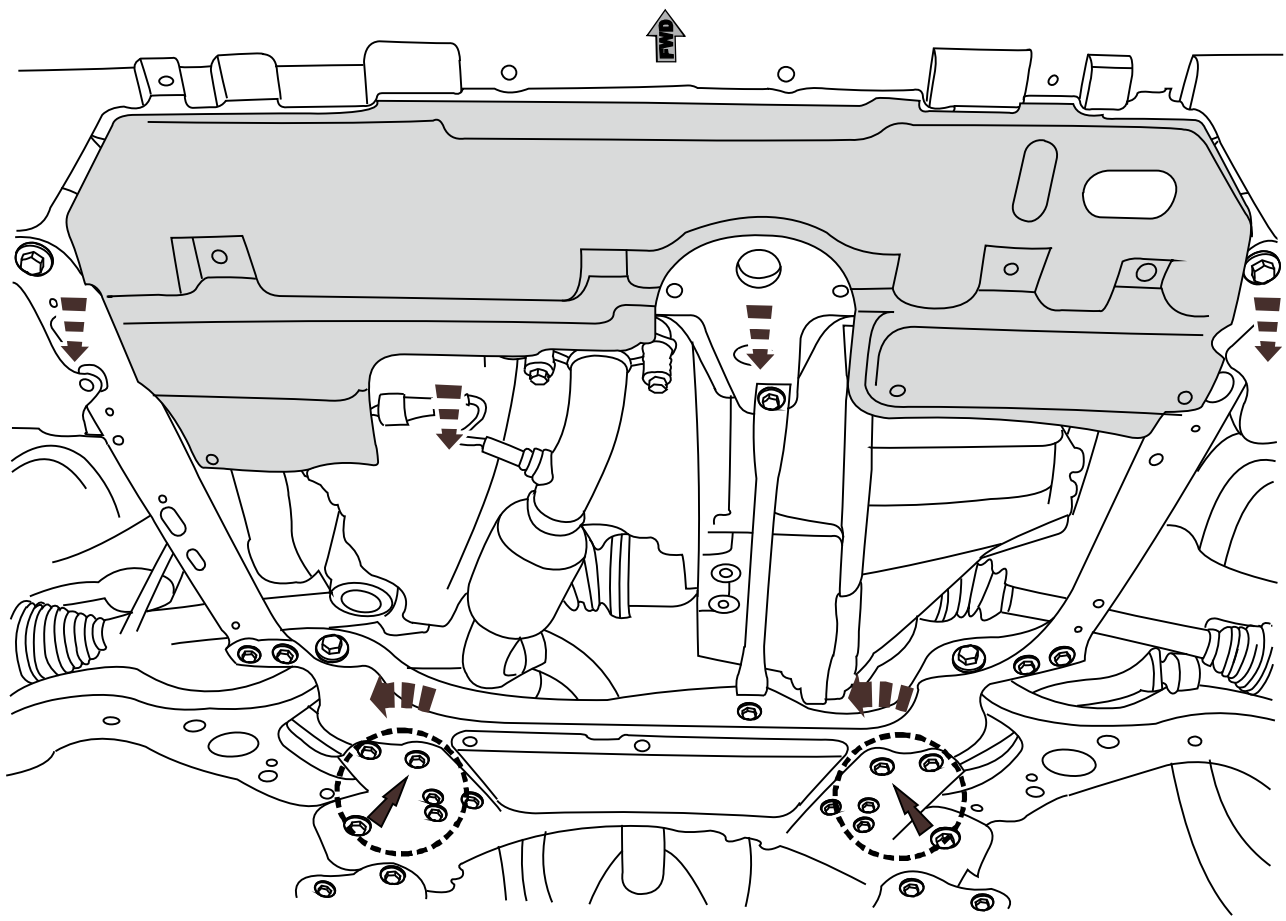
**E**



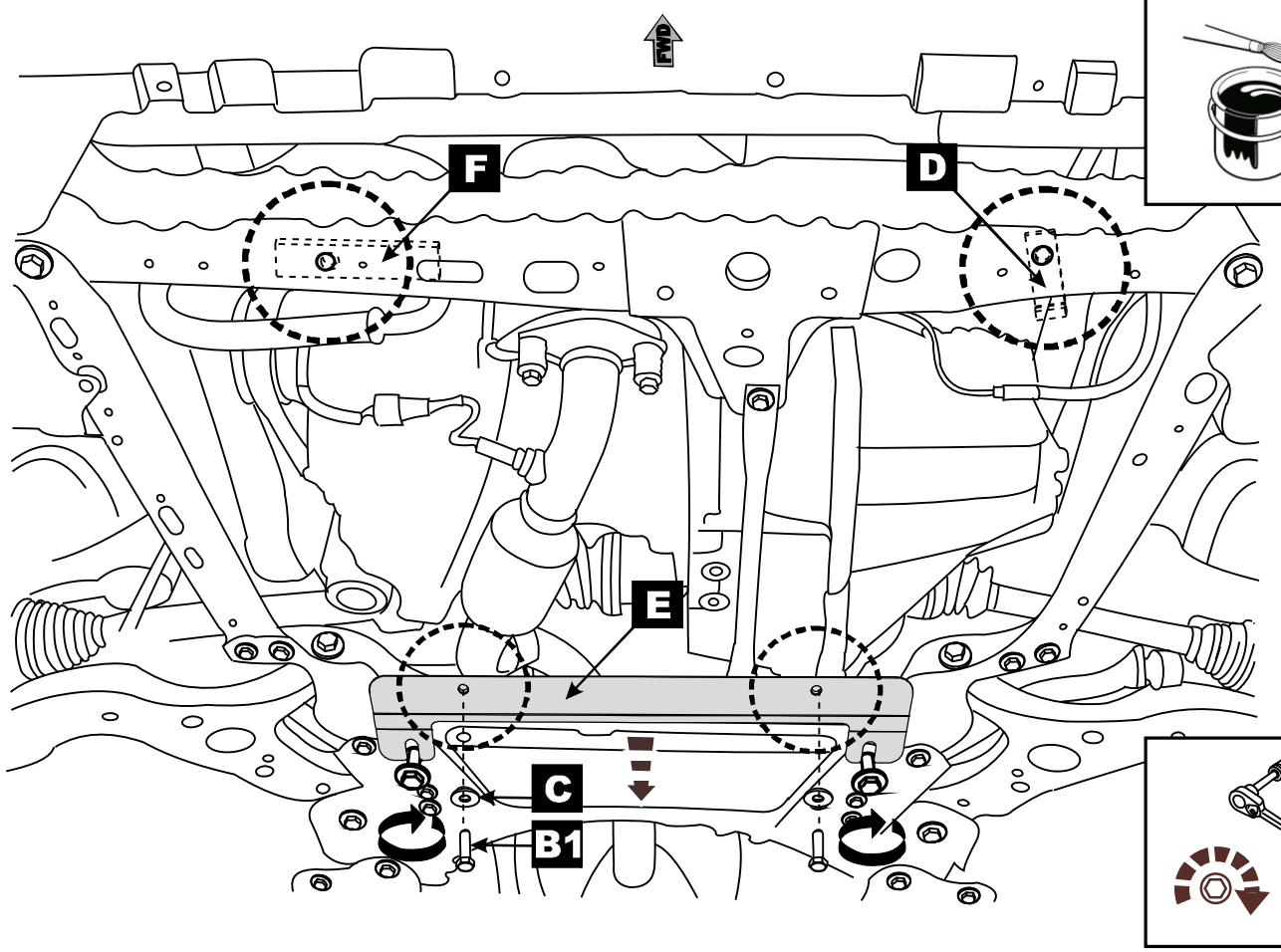
**F**



**1**



**2**



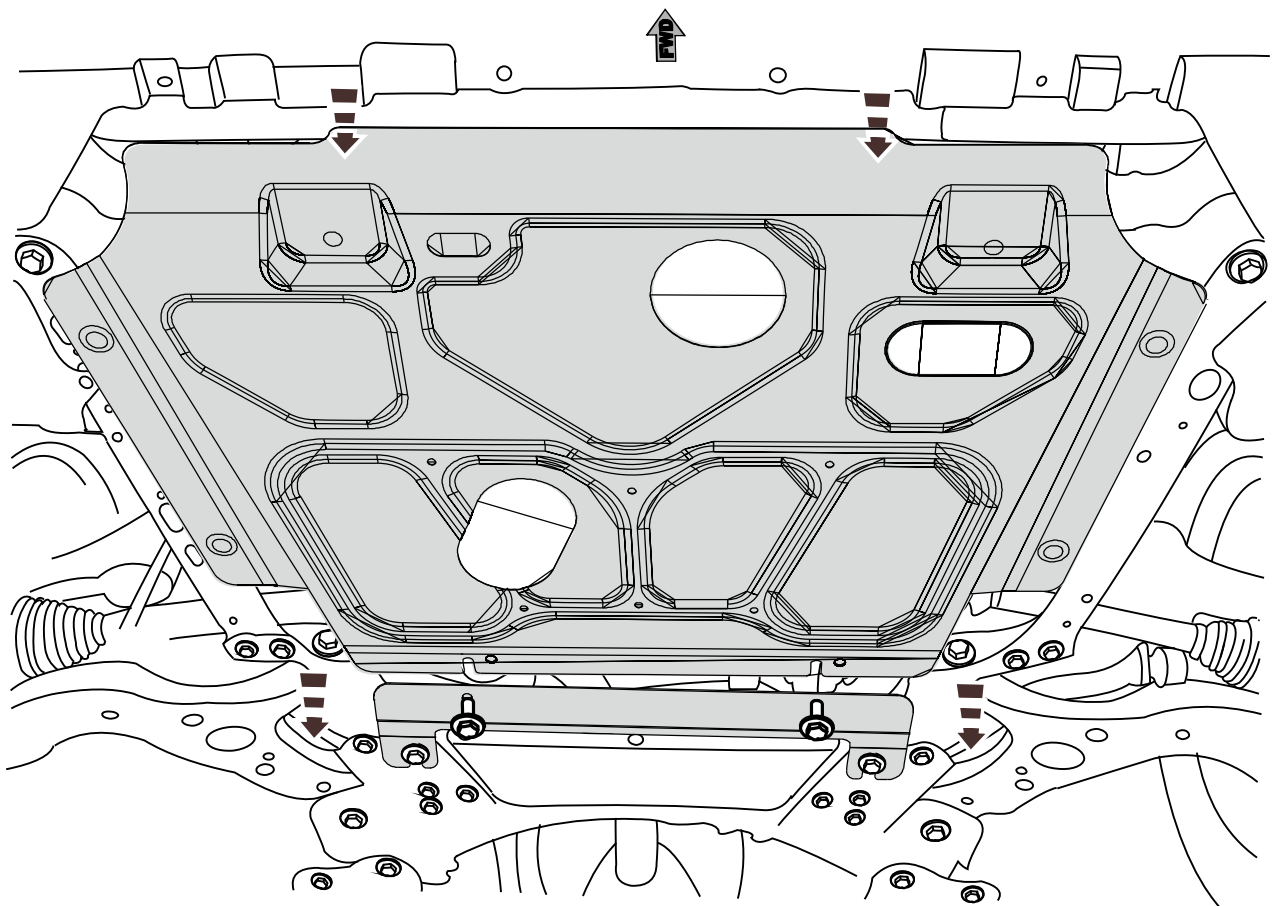
Issue:  
0

Date:  
28/10/09

Manual reference number:  
AIM 001 -910-0; AIM 001 -909-0

Page:  
3/4

3



4

