

Installation instructions for PZ4AL-02141-00

Toyota Yaris

Under Run Protective Shield engine bay and transmission case



Model Year: 2011

Vehicle Code: NSP130L-CHXNKW

Part Number: PZ4AL- 02141- 00



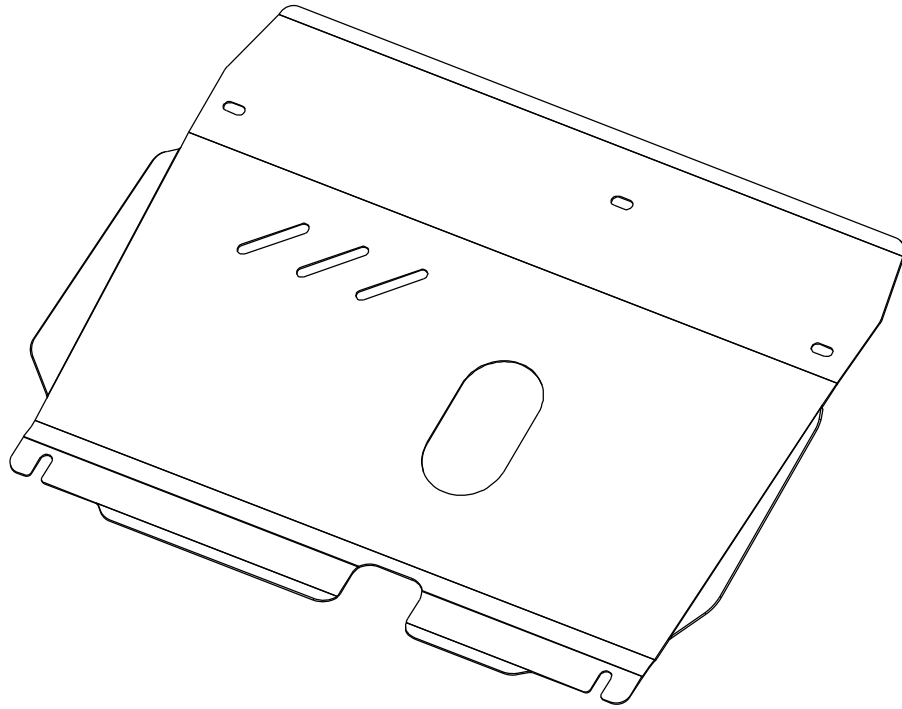
Weight: 7.9 Kg



Installation Time: 40 min

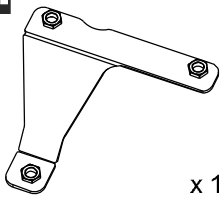
Part number: PZ4AL-02141-00

A



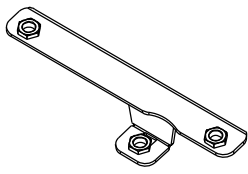
PZ4AL-02141-60

B1



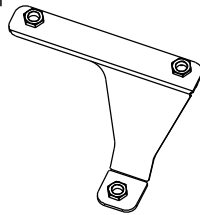
x 1

B2



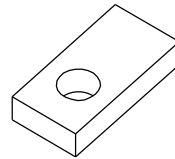
x 1

B3



x 1

C



x 2

D

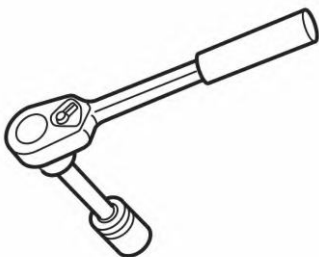


11 x M 8x20

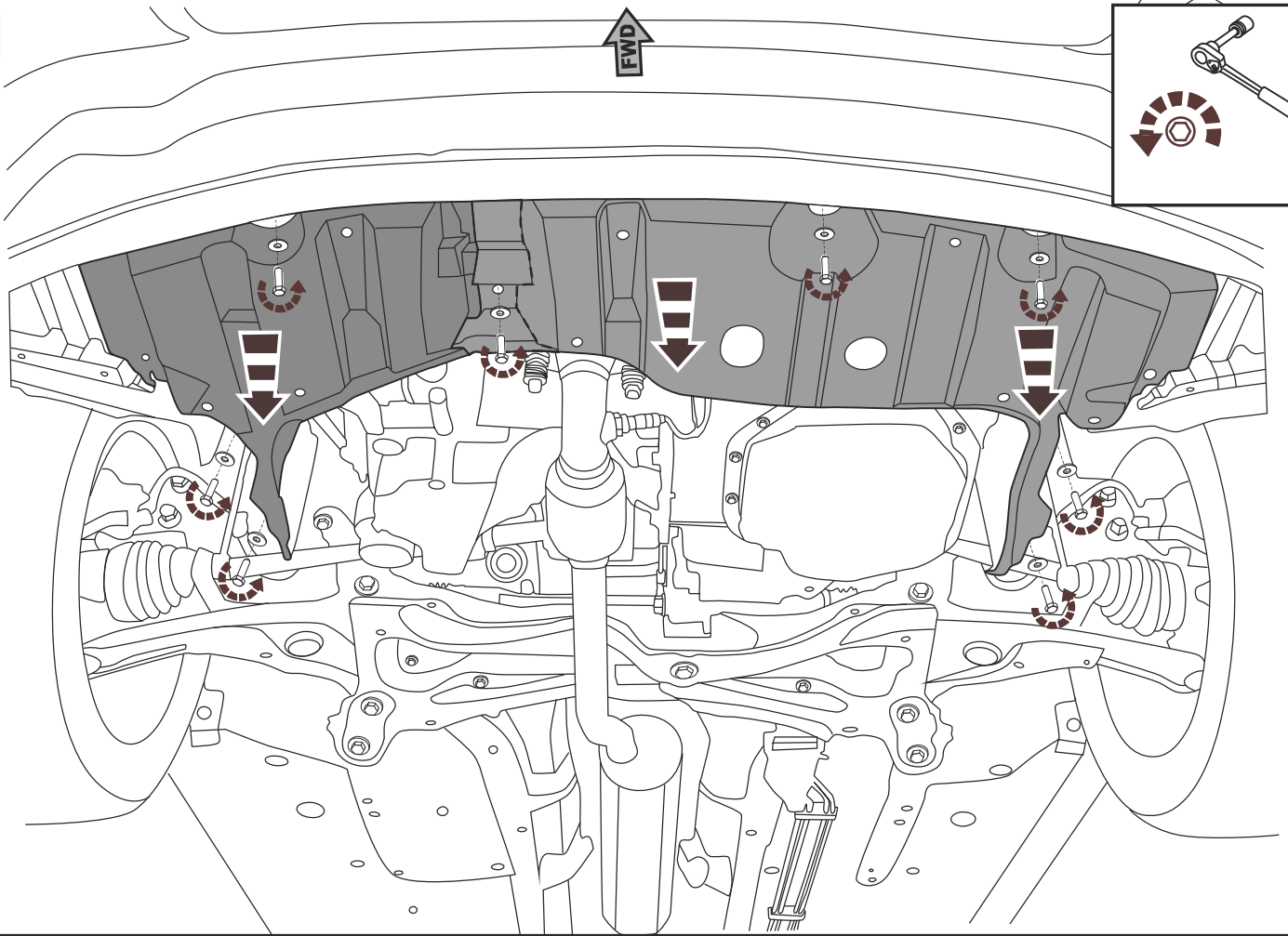
E



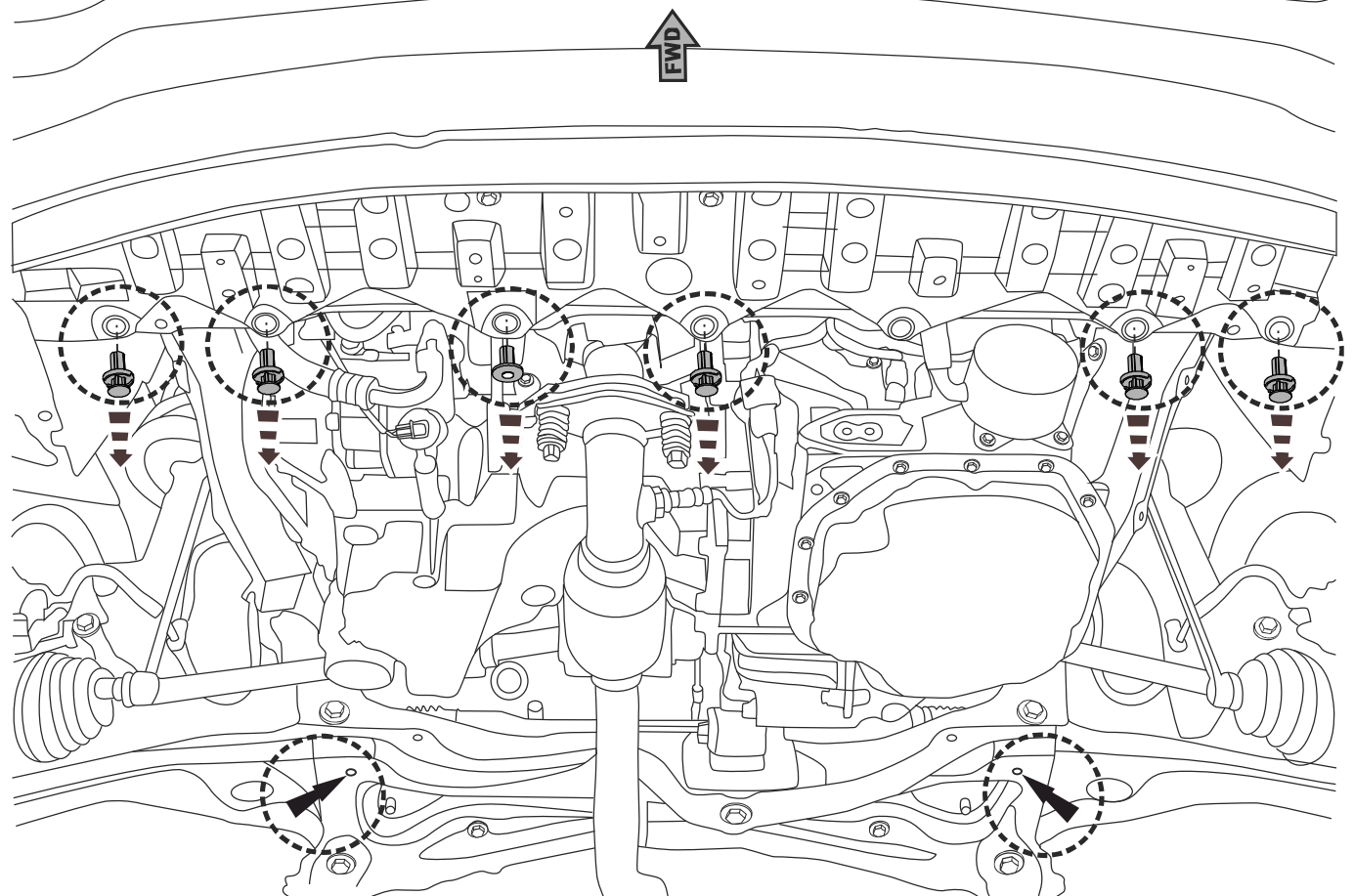
11 x Ø 10



1



2



3

1



M8 = 24 Nm

FWD ↑

B1

B2

E

B3

D

1

1

1

1

1

1

E

D

E

D



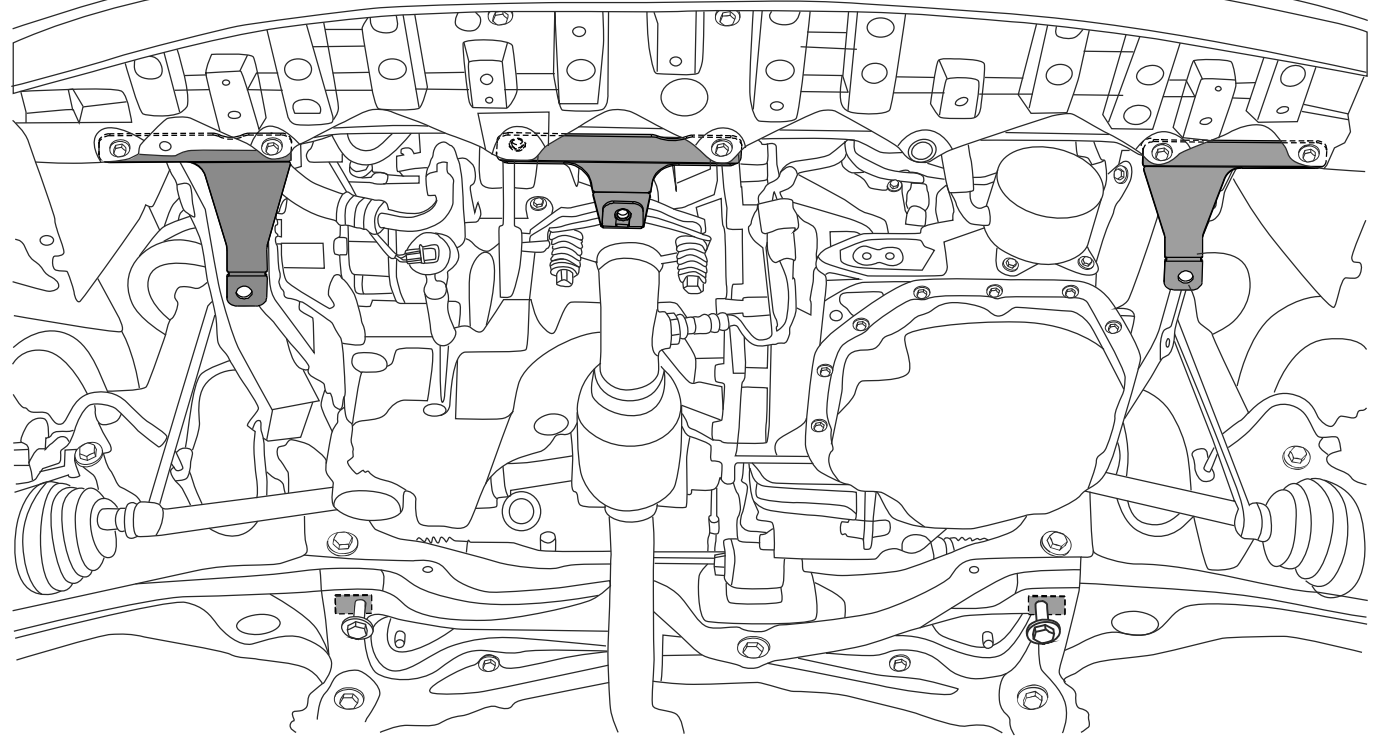
C

E

D

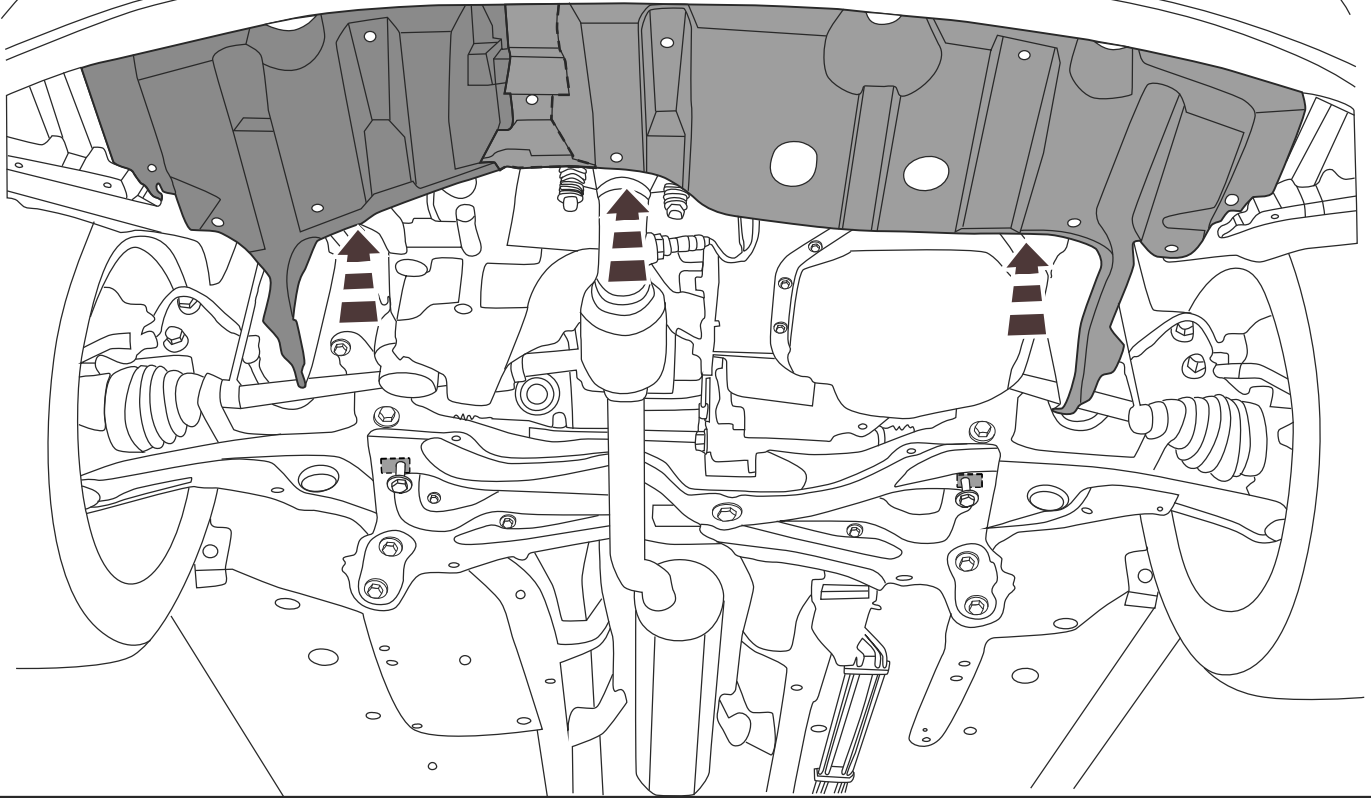
4

FWD ↑



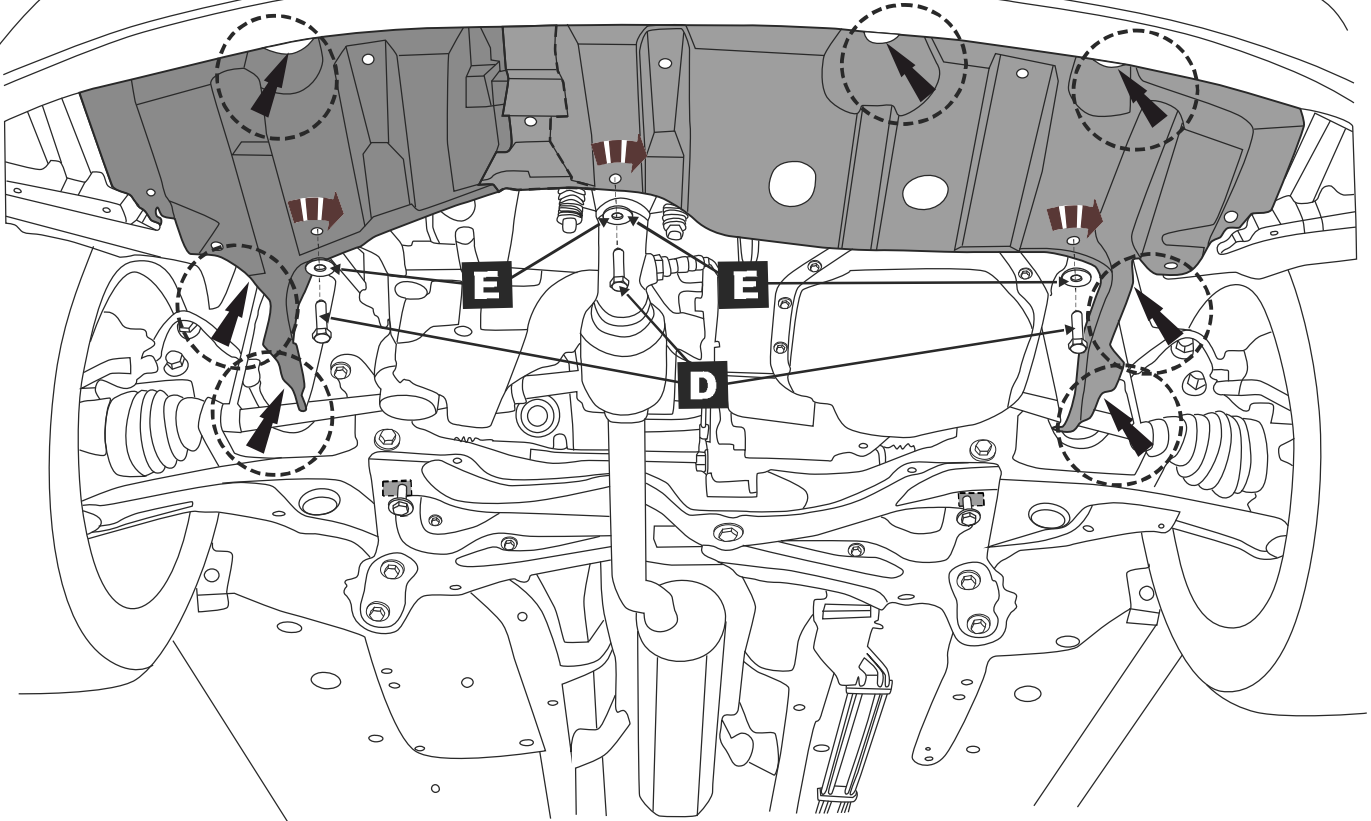
5

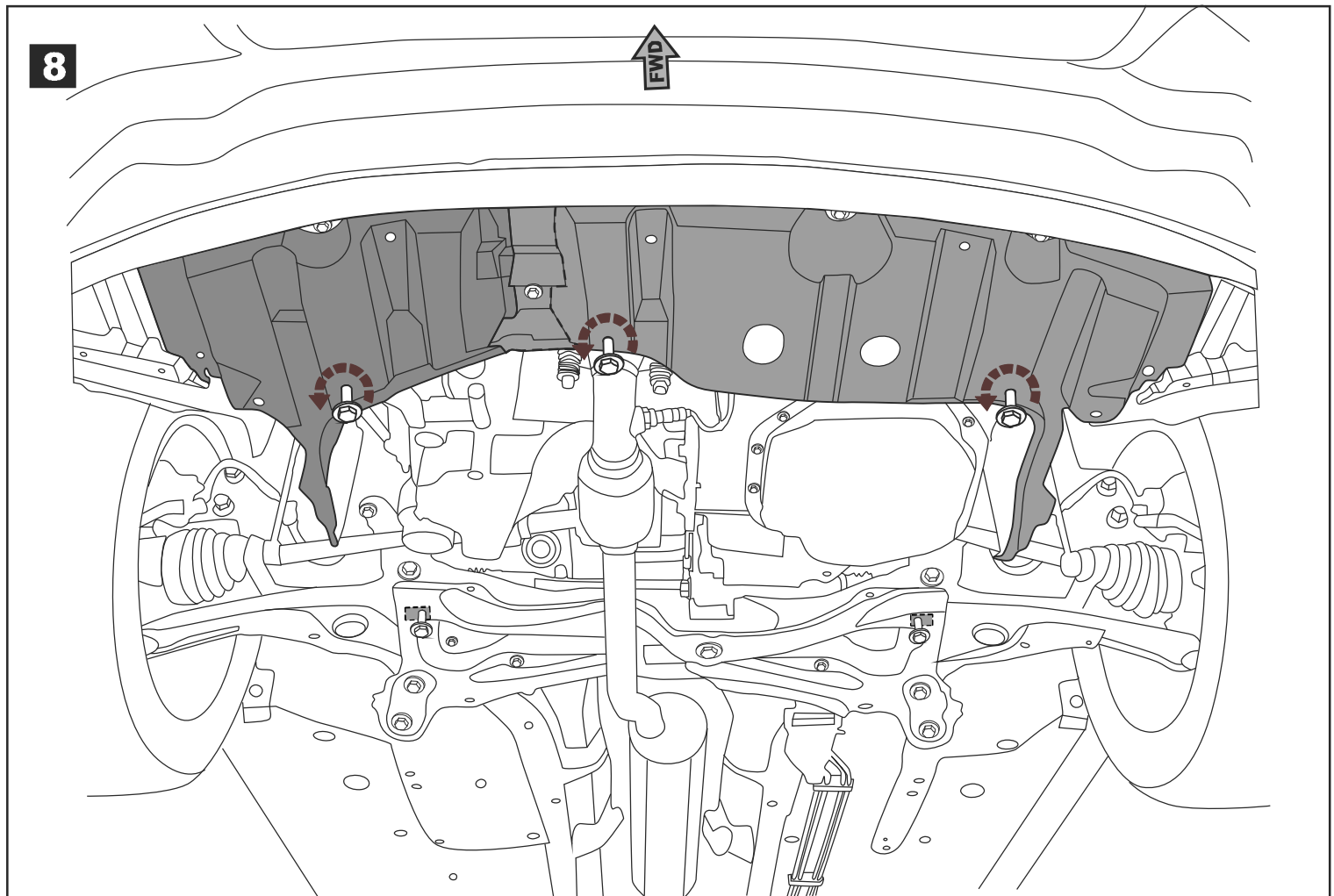
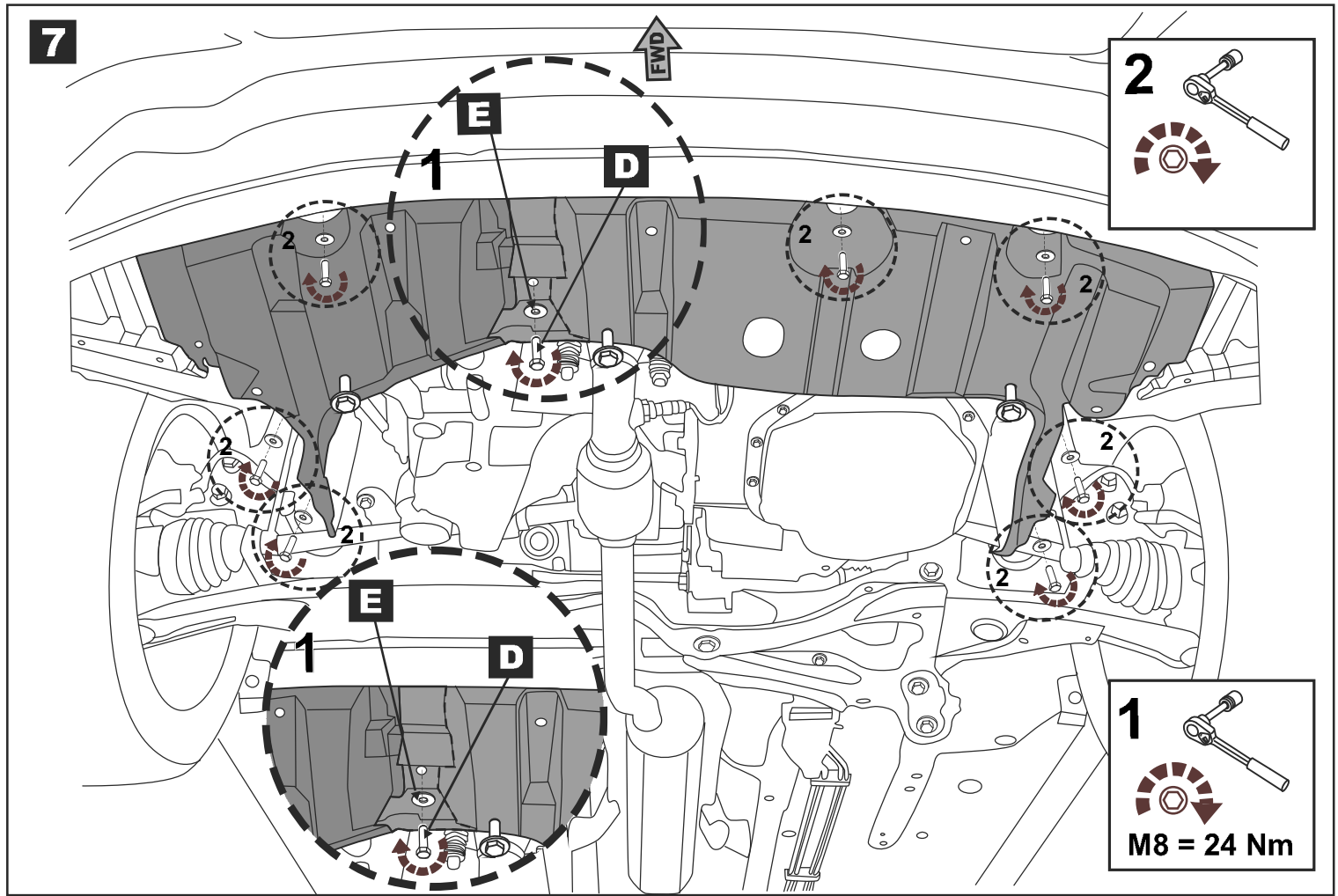
FWD ↑



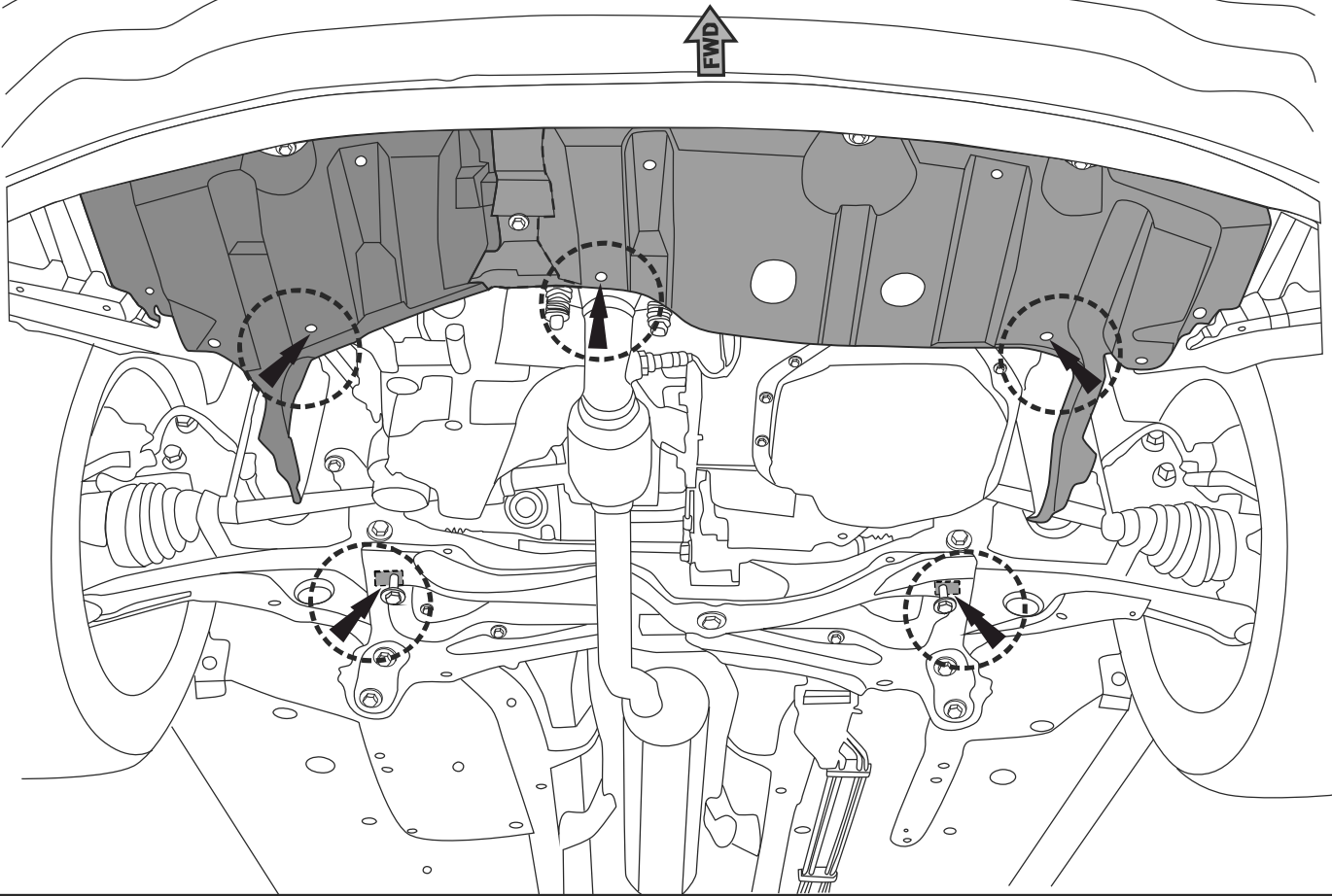
6

FWD ↑

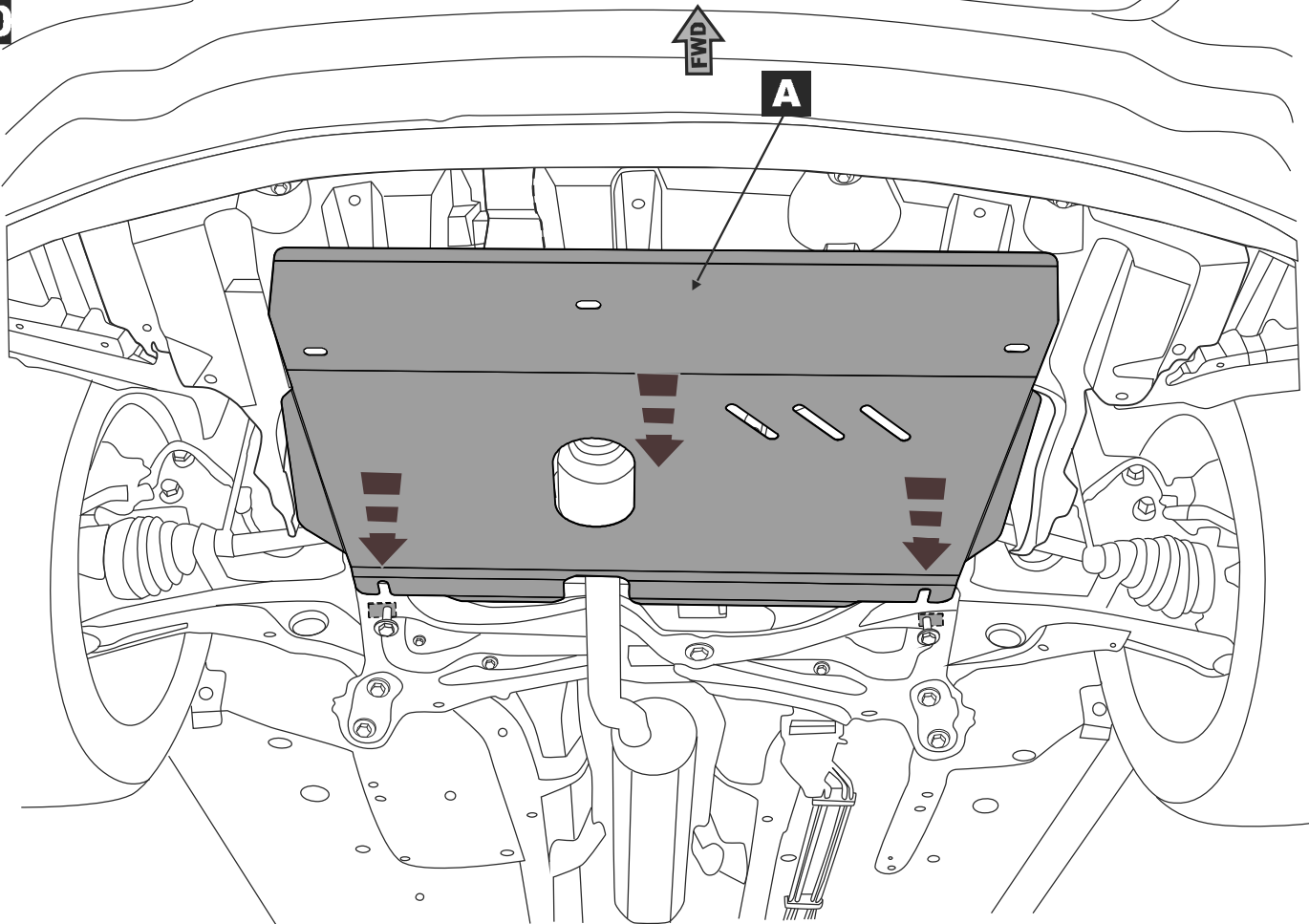




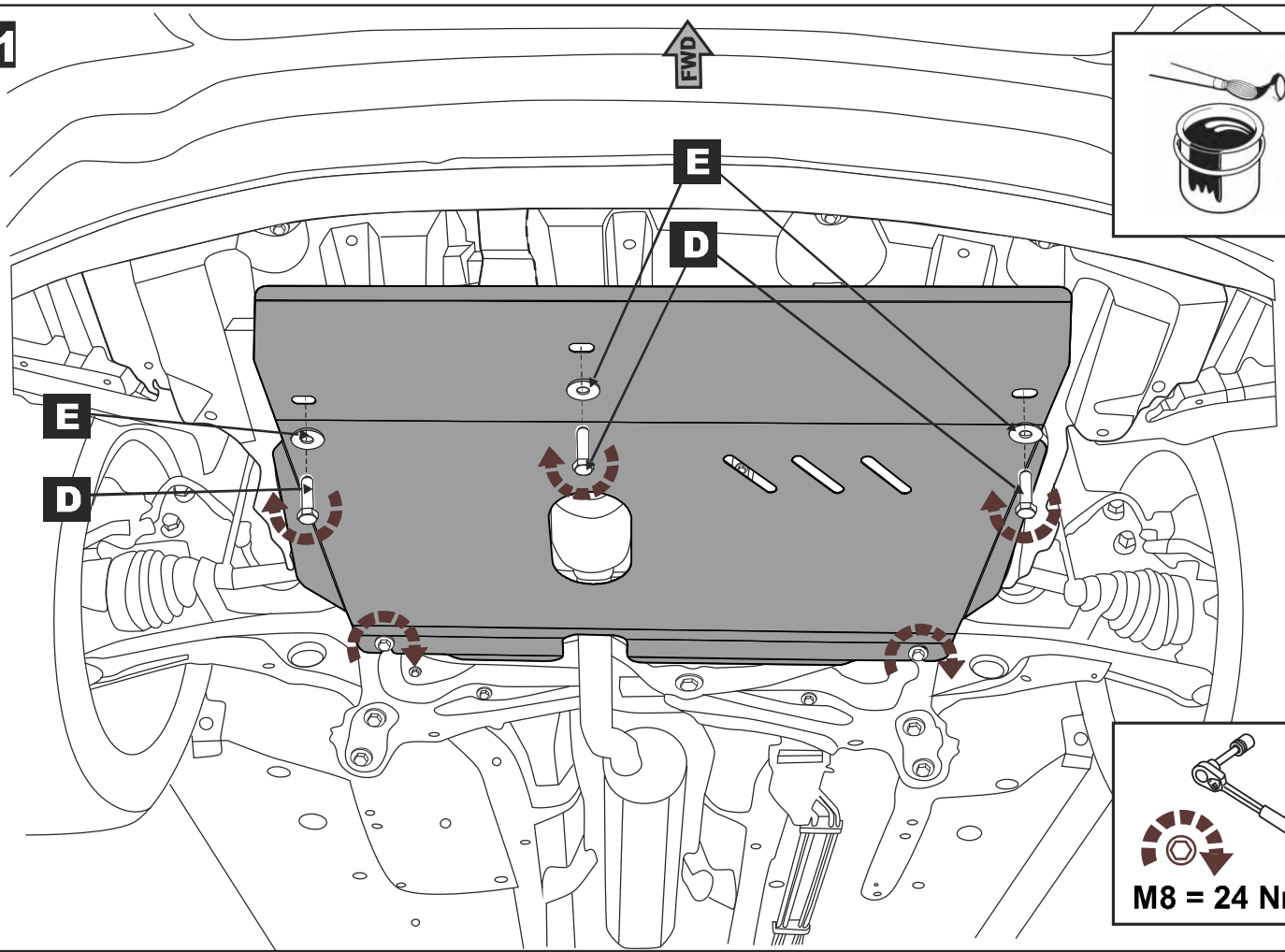
9



10



11



12

