

Installation instructions for PZ4AL-02063-00; PZ4AL-02064-00

Under Run Protective Shield engine bay and transmission case

LEXUS CT200h



LEXUS CT200h

Model Year 2007-

Vehicle Code ZWA10L-AHXBBW
ЭКО - ZWA10L-AHXEBW

Part Number

Steel: PZ4AL- 02063- 00
Aluminium: PZ4AL- 02064- 00



Weight

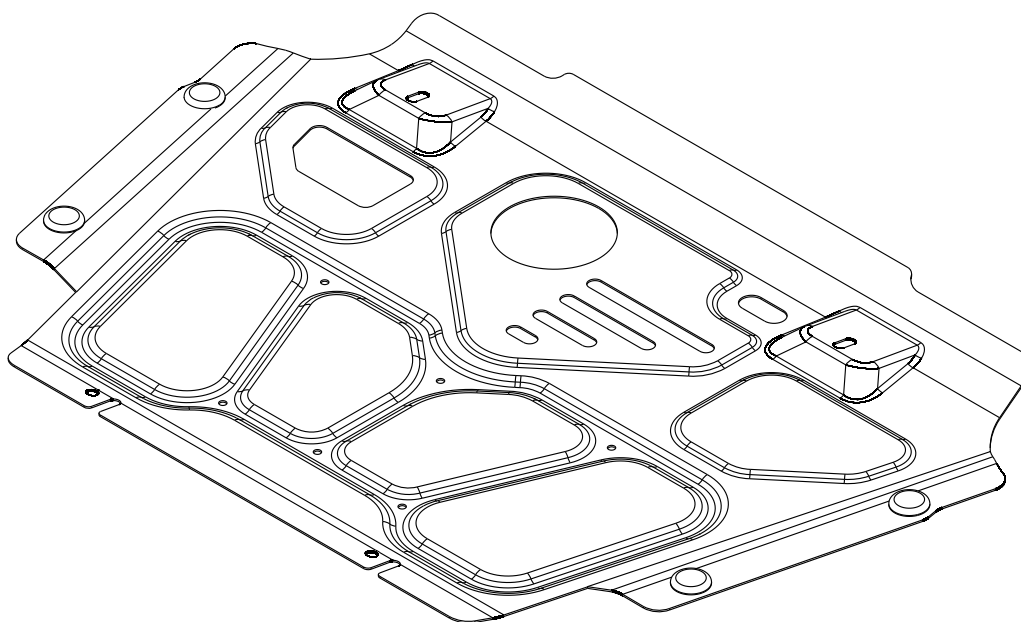
Steel: 9,16 Kg
Aluminium: 5,71 Kg



Installation Time

20 min

A



PZ4AL-01093-60

B1



B2



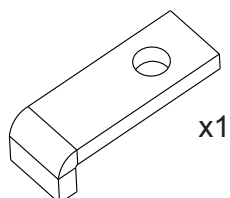
B3



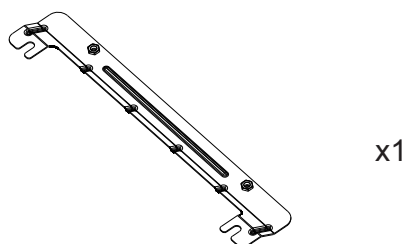
C



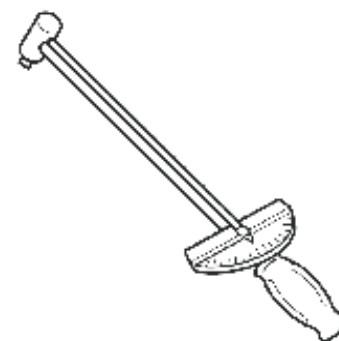
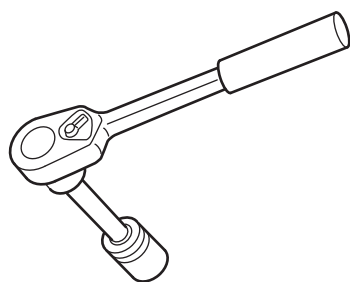
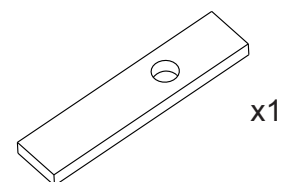
D

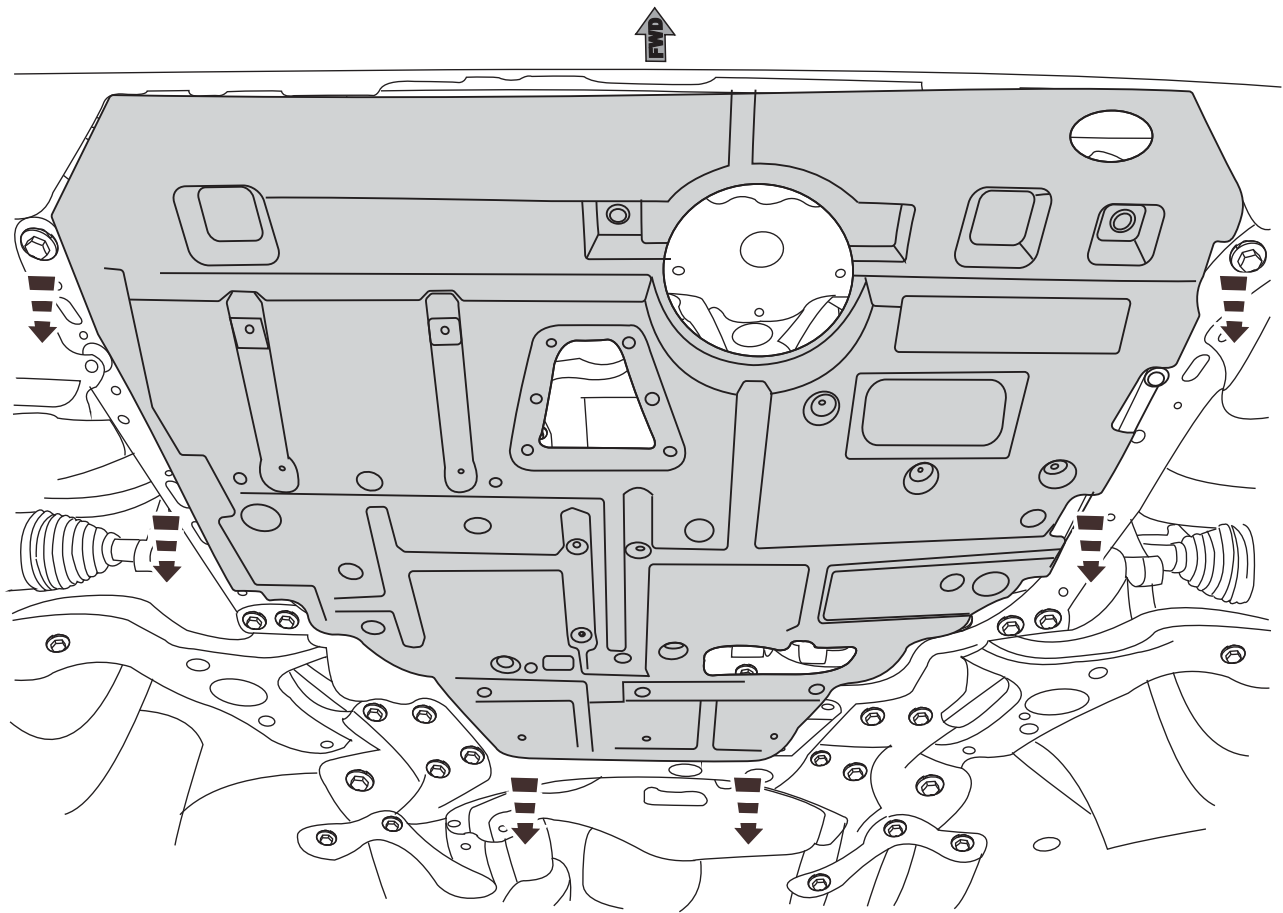
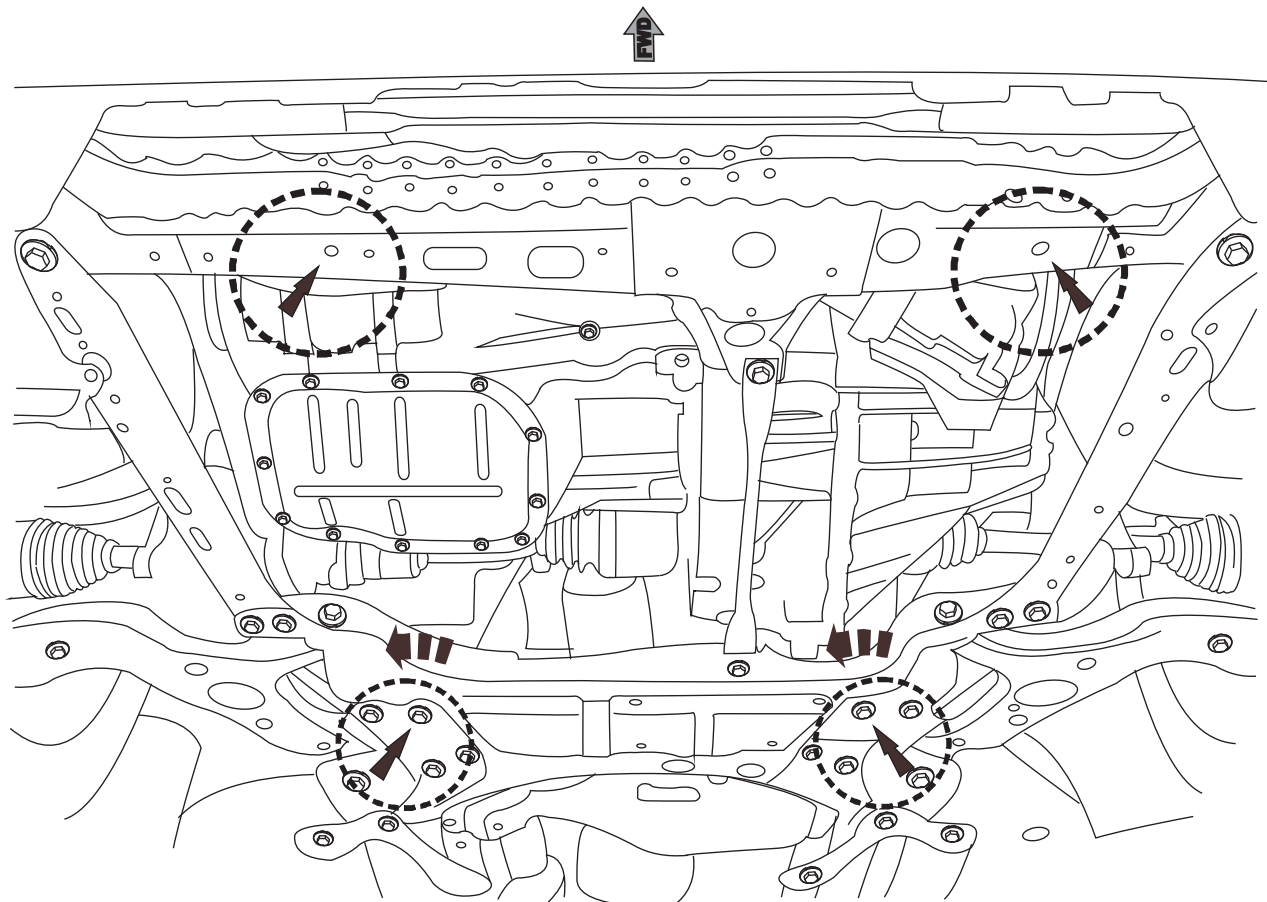


E

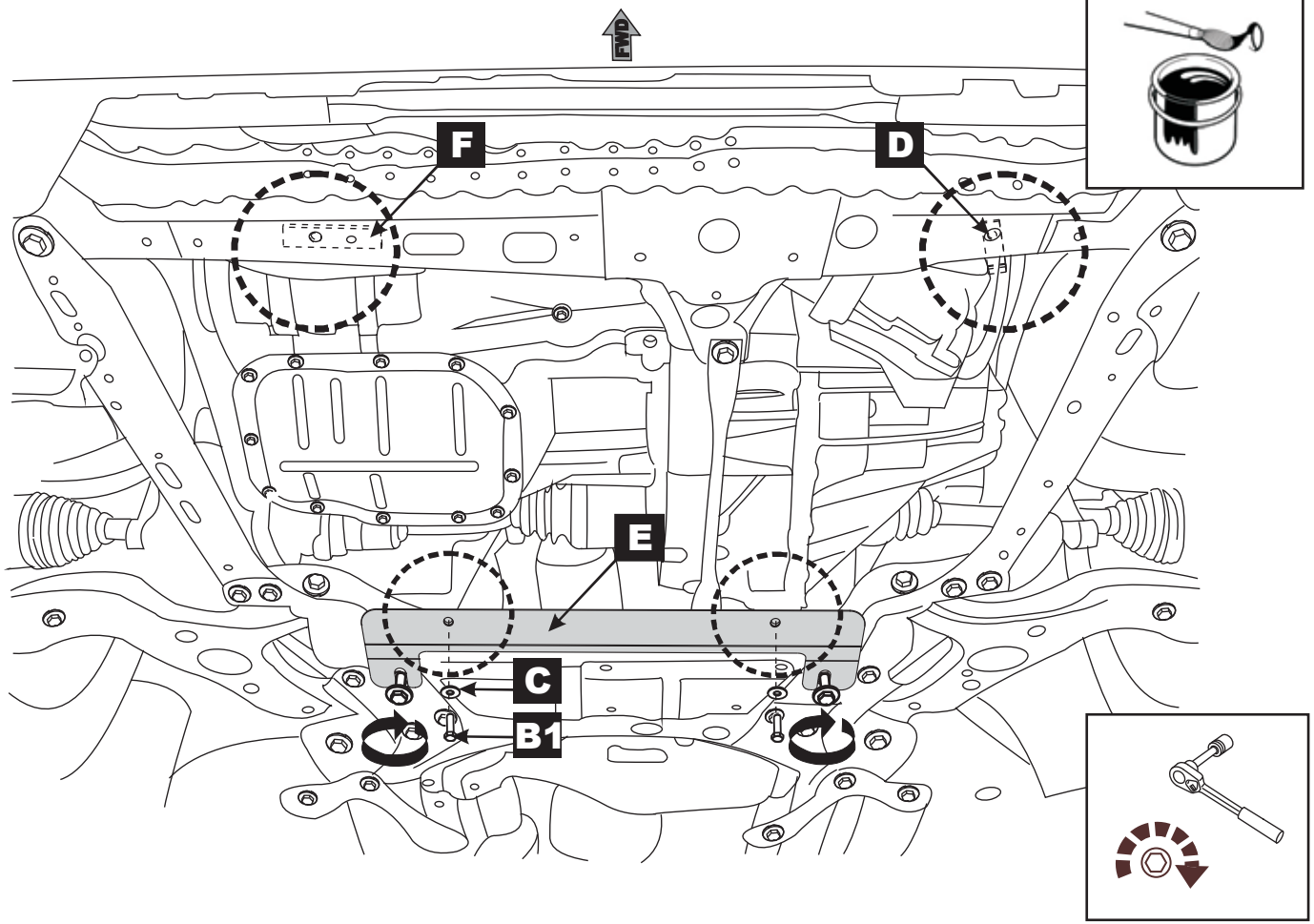


F

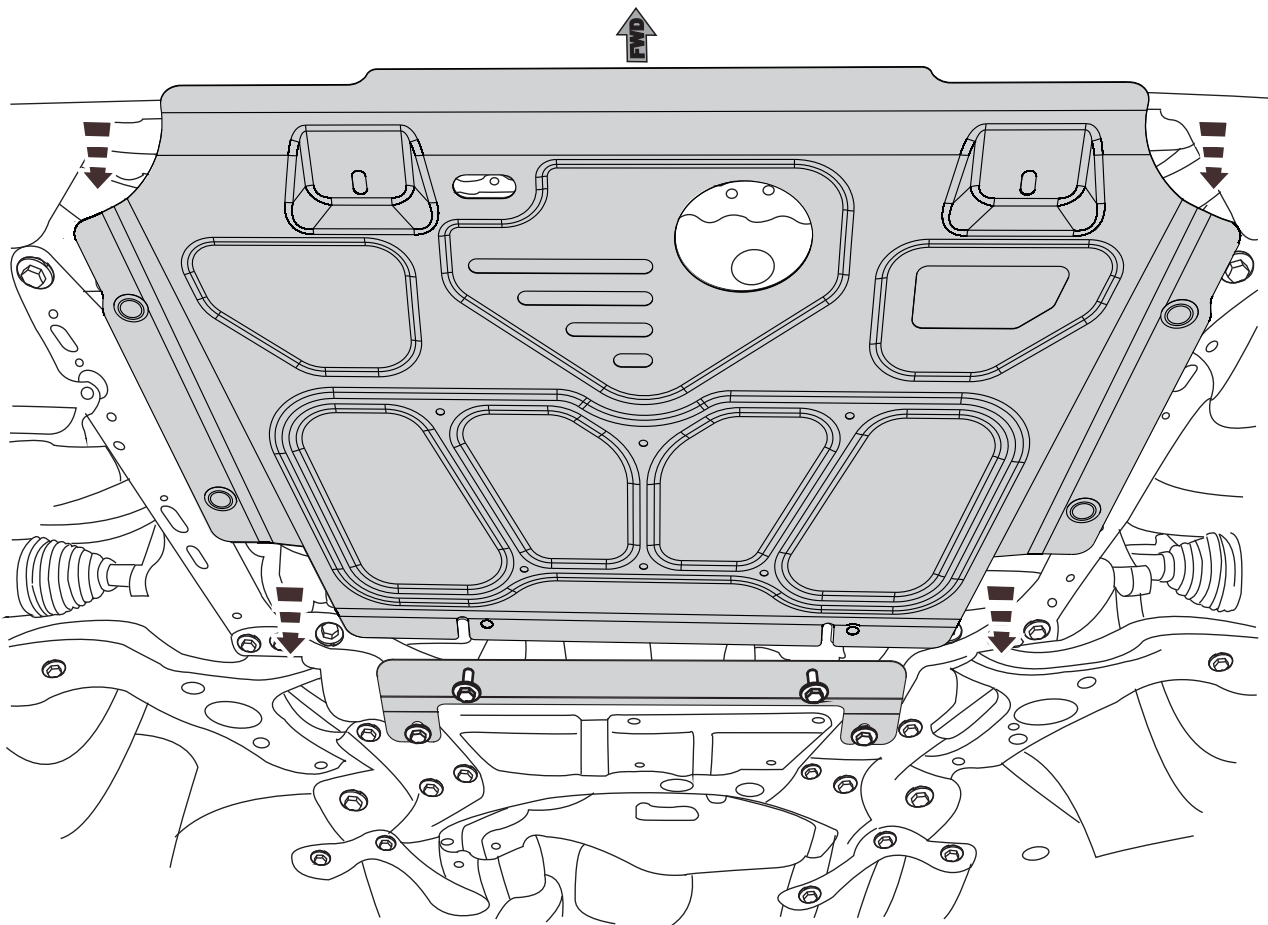


1**2**

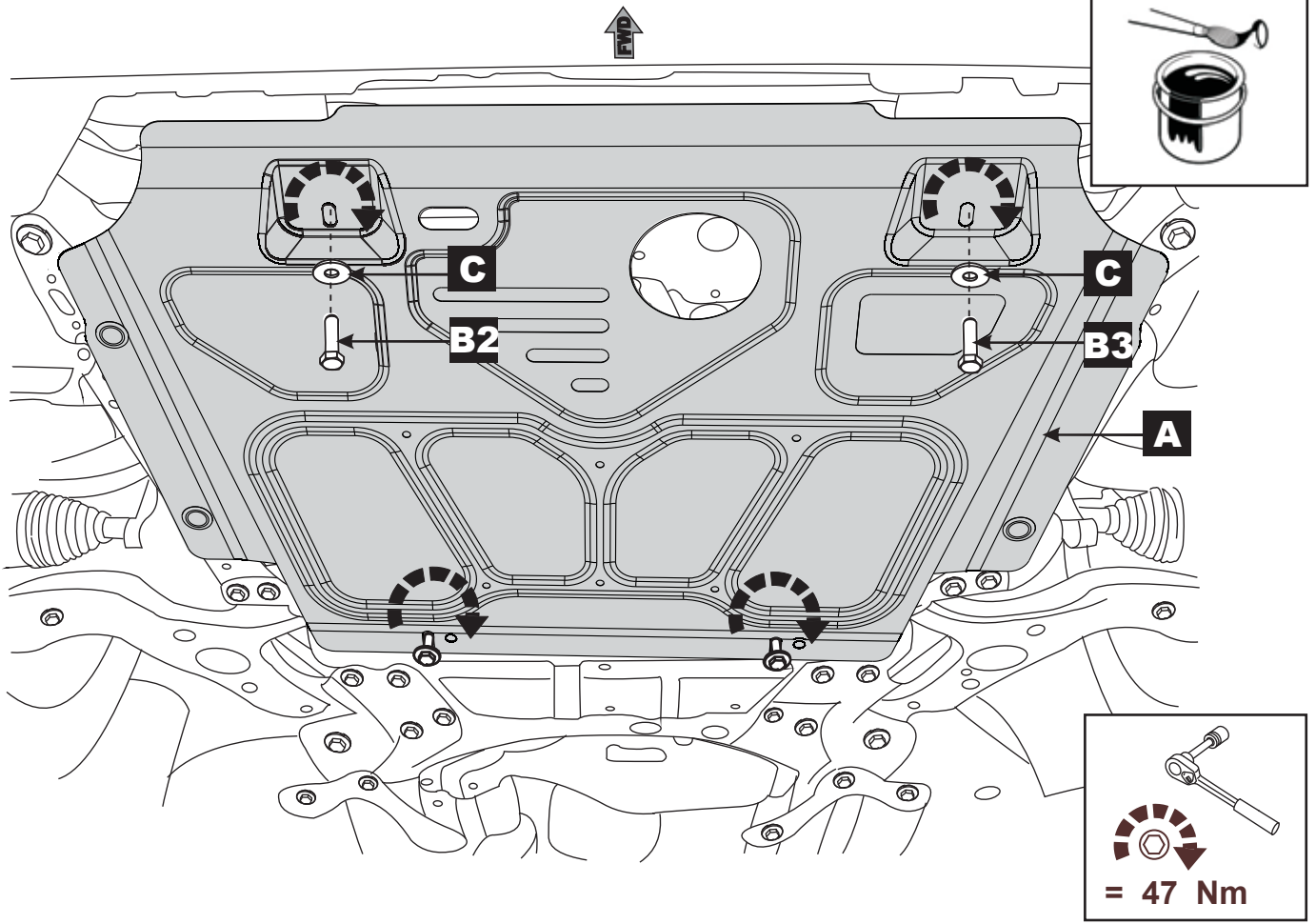
3



4



5



6

