

Installation instructions for PZ4AL- 01896- 00

Toyota Camry, Lexus ES 350



Under Run Protective Shield

Toyota Camry

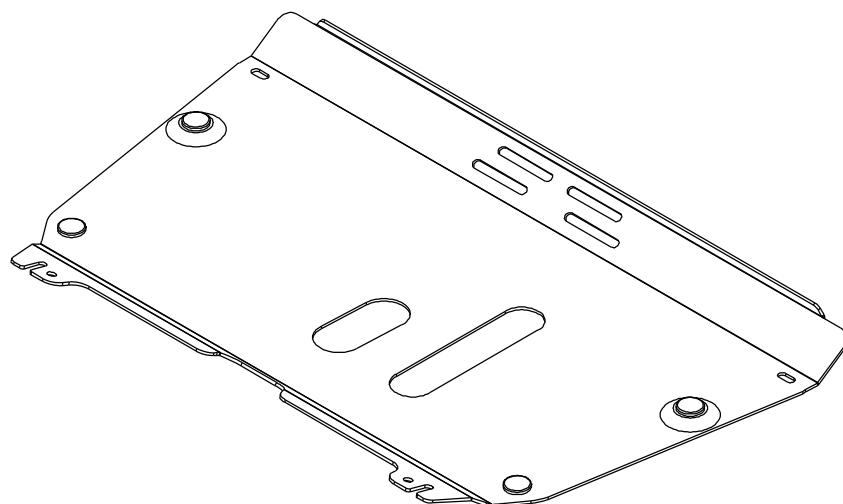


Lexus ES 350



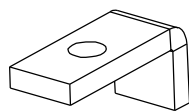
Model Year:	2006	2007
Vehicle Code:	GSV 40L-*-W	GSV40L- BETGKC
Part Number:	PZ4AL-01896-00	PZ4AL-01896-00
 Weight:	6.48kg	6.48kg
 Installation Time:	20 min	20 min
	AIM 002 079-0	079AIM 002

A



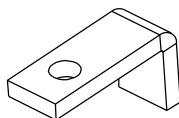
PZ4AL- 01896- 00

B1



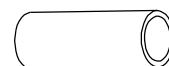
x 2

B2



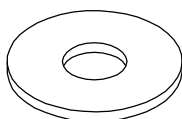
x 2

C



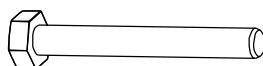
x 2

D



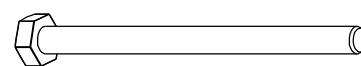
4 x Ø10

E1

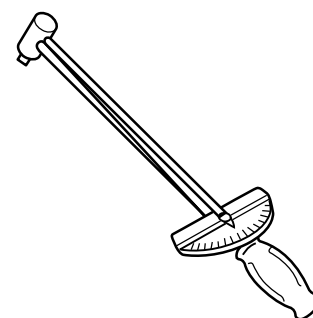
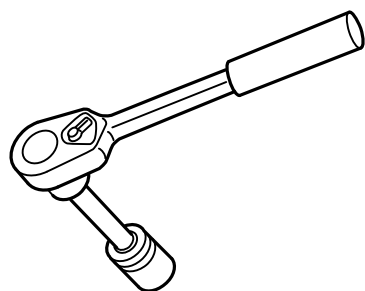


2 x M 10x80

E2

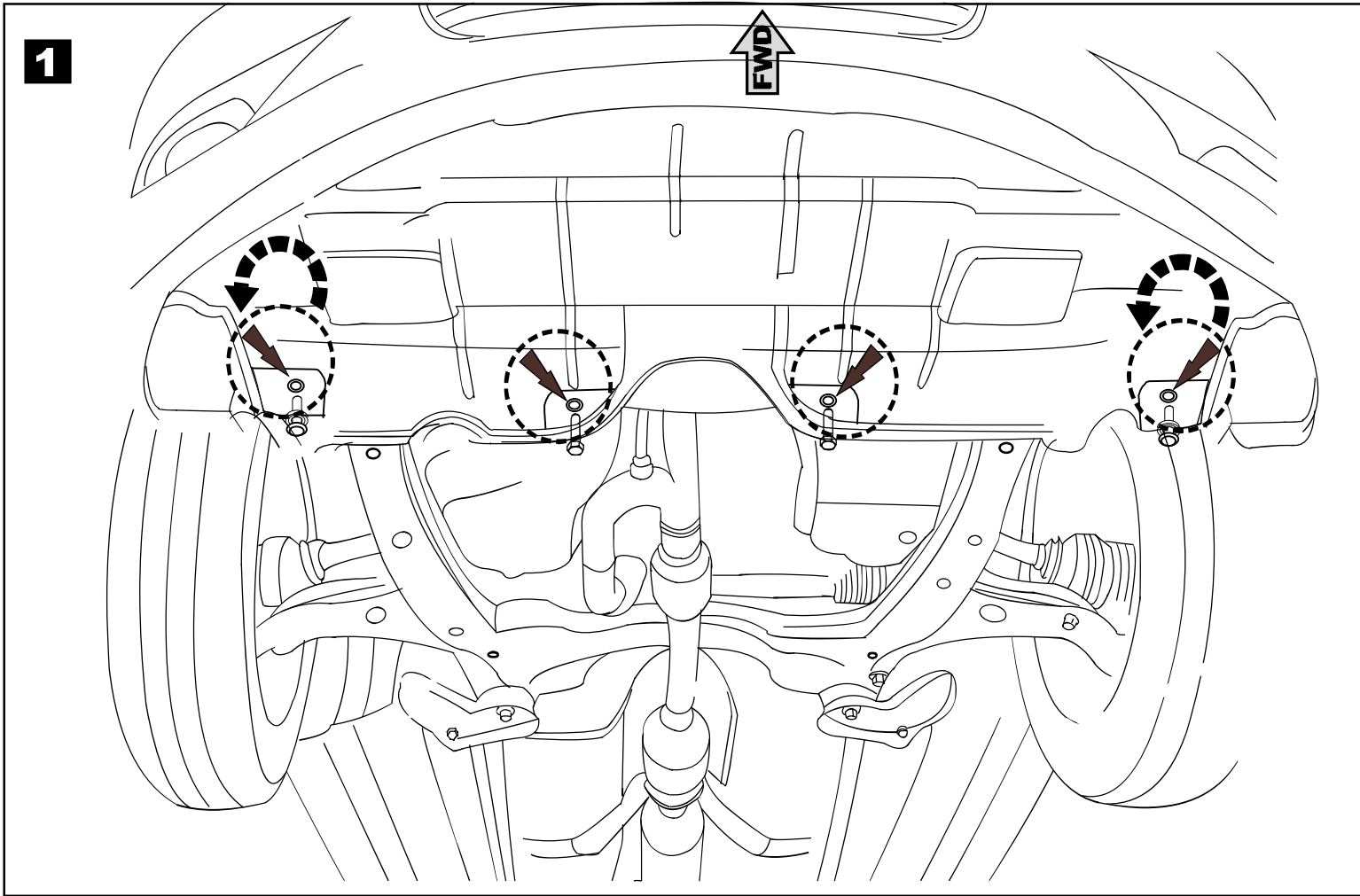


2 x M 10x140

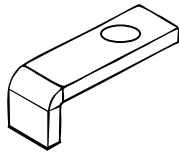


1

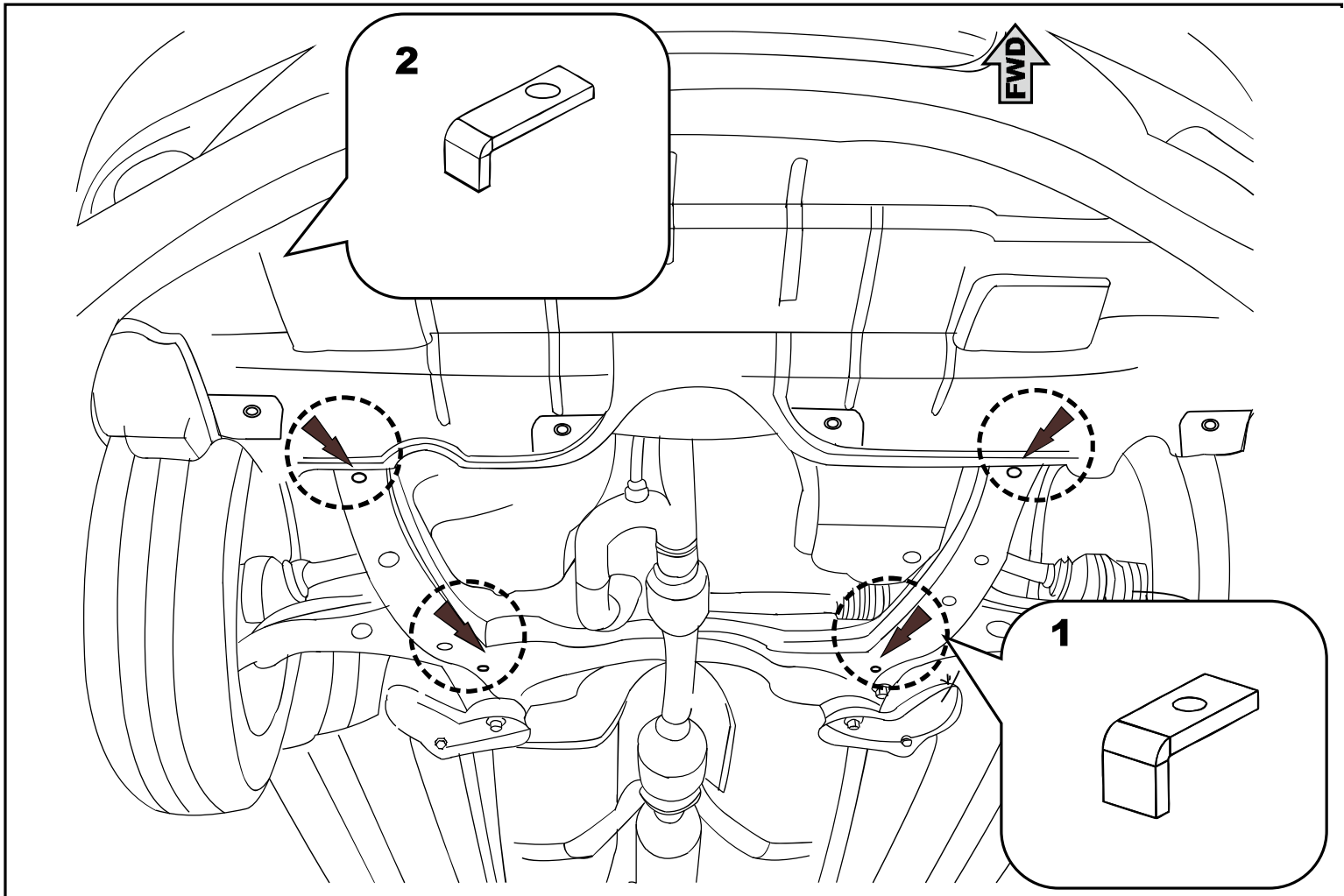
FWD ↑



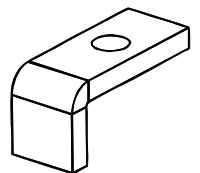
2



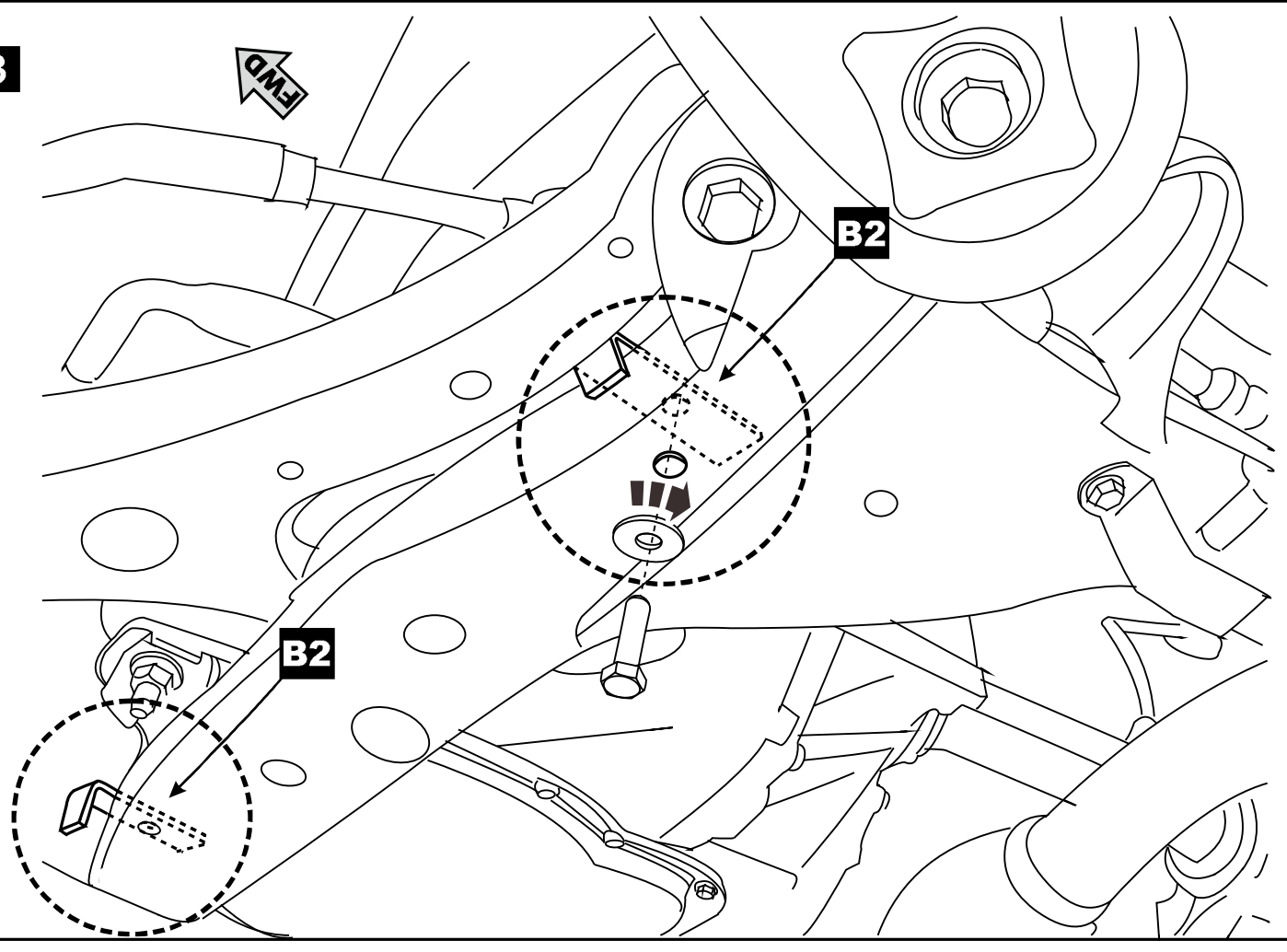
FWD ↑



1

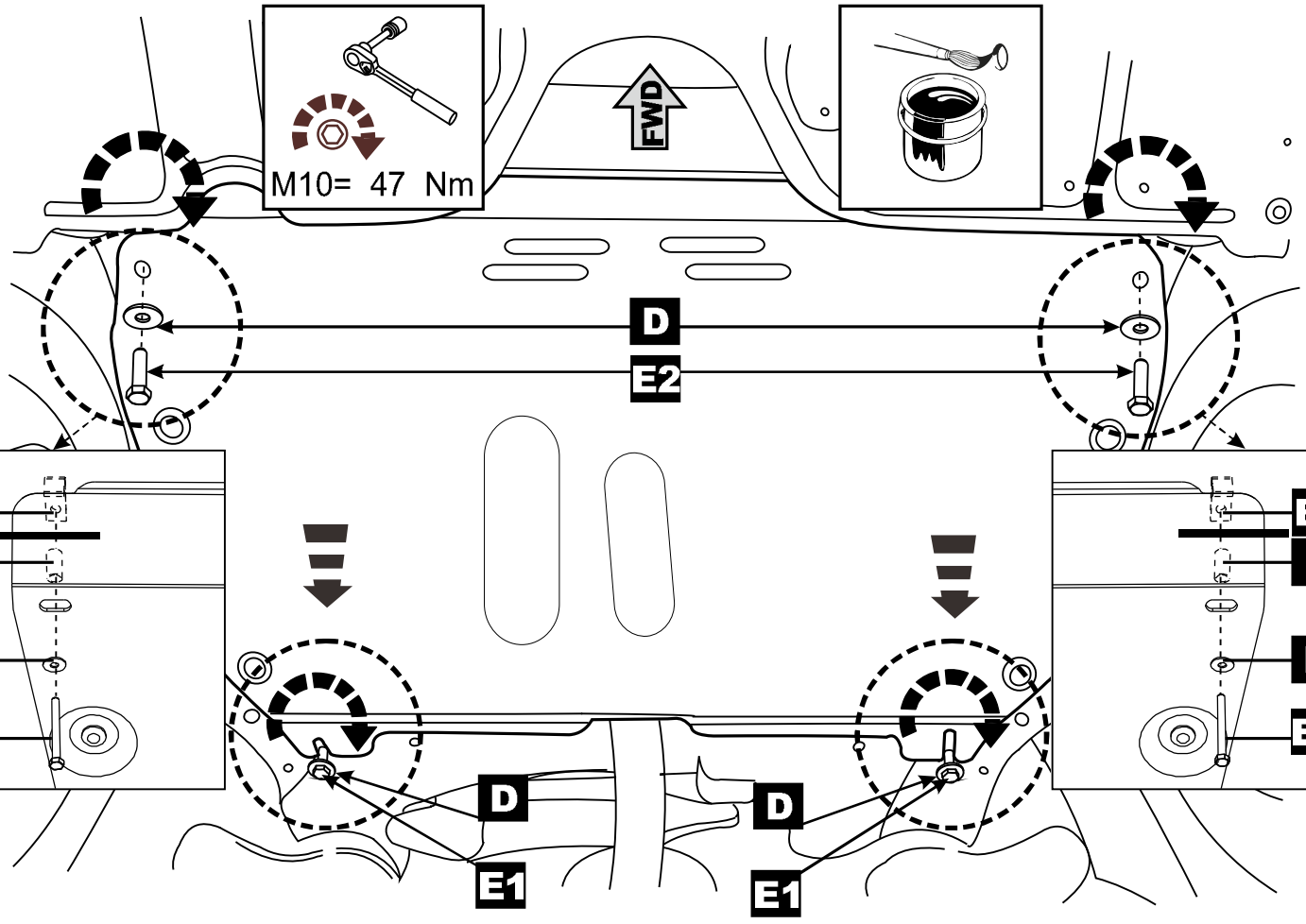


3

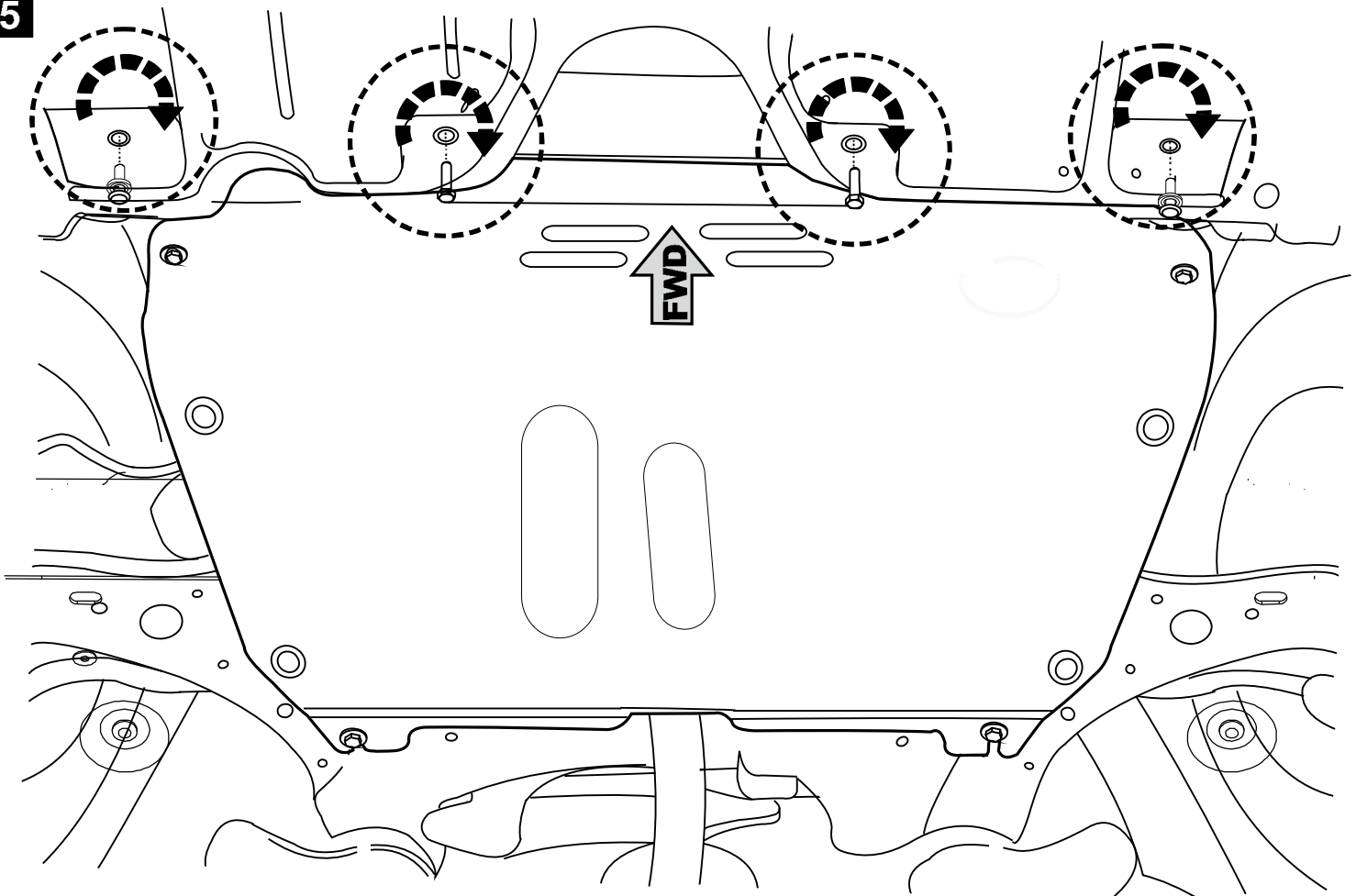


4

M10= 47 Nm

5



Part number:
PZ4AL- 01896- 00

Issue:
0

Date:
17/09/10

Manual reference number:

Page:
5/5