



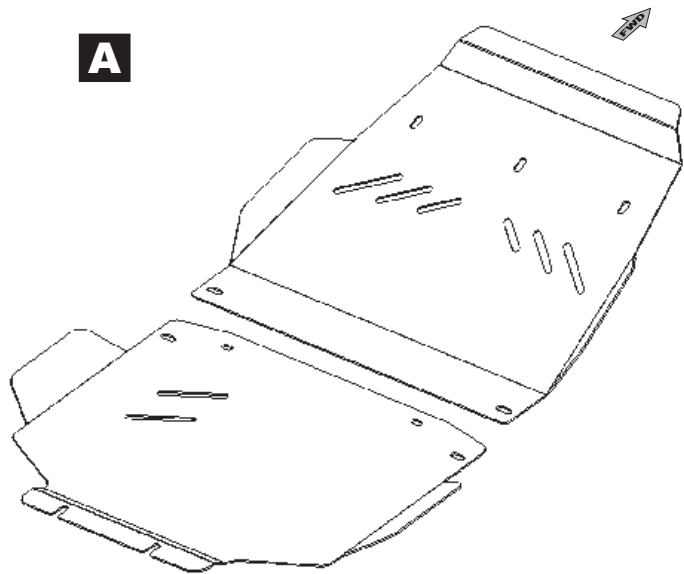
Installation instructions for 24.1270 / 24.1275

Under Run Protective Shield

Toyota Land Cruiser 200

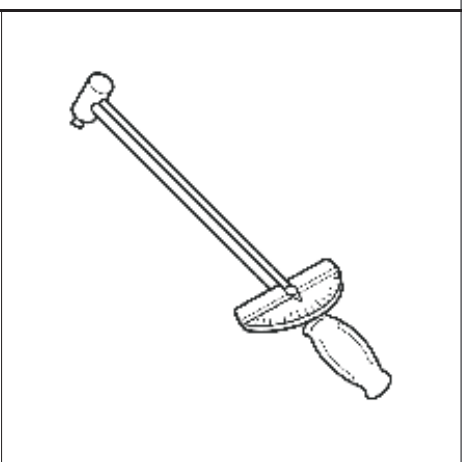
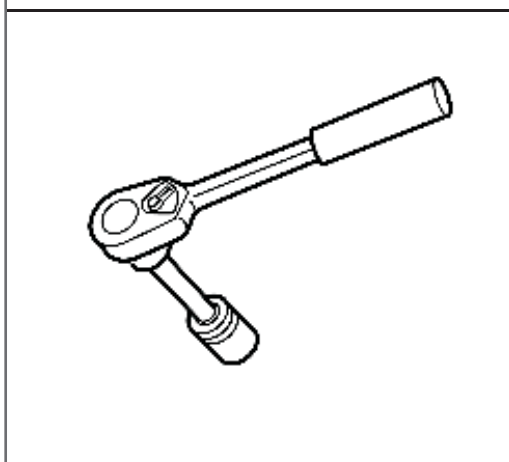


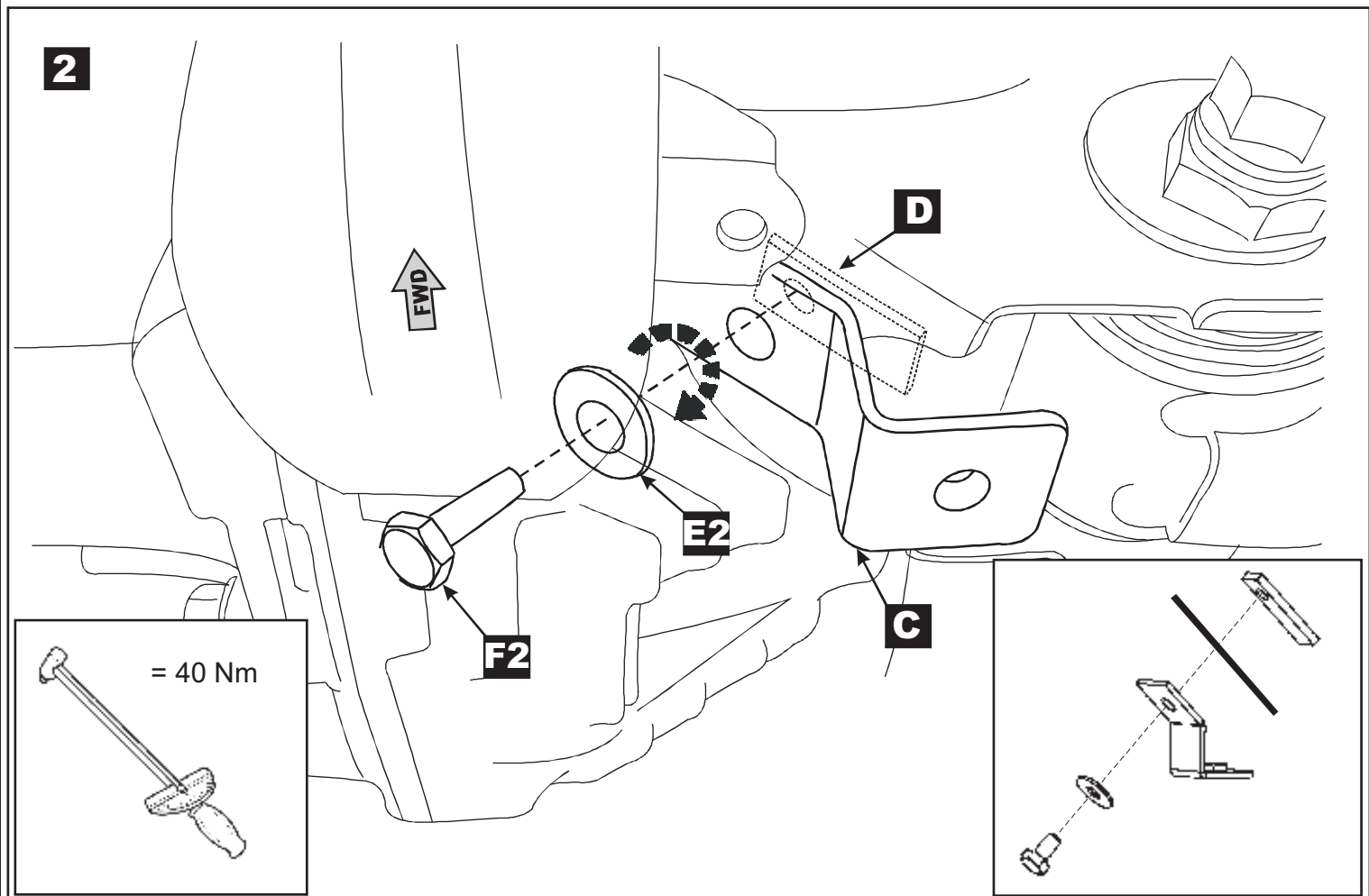
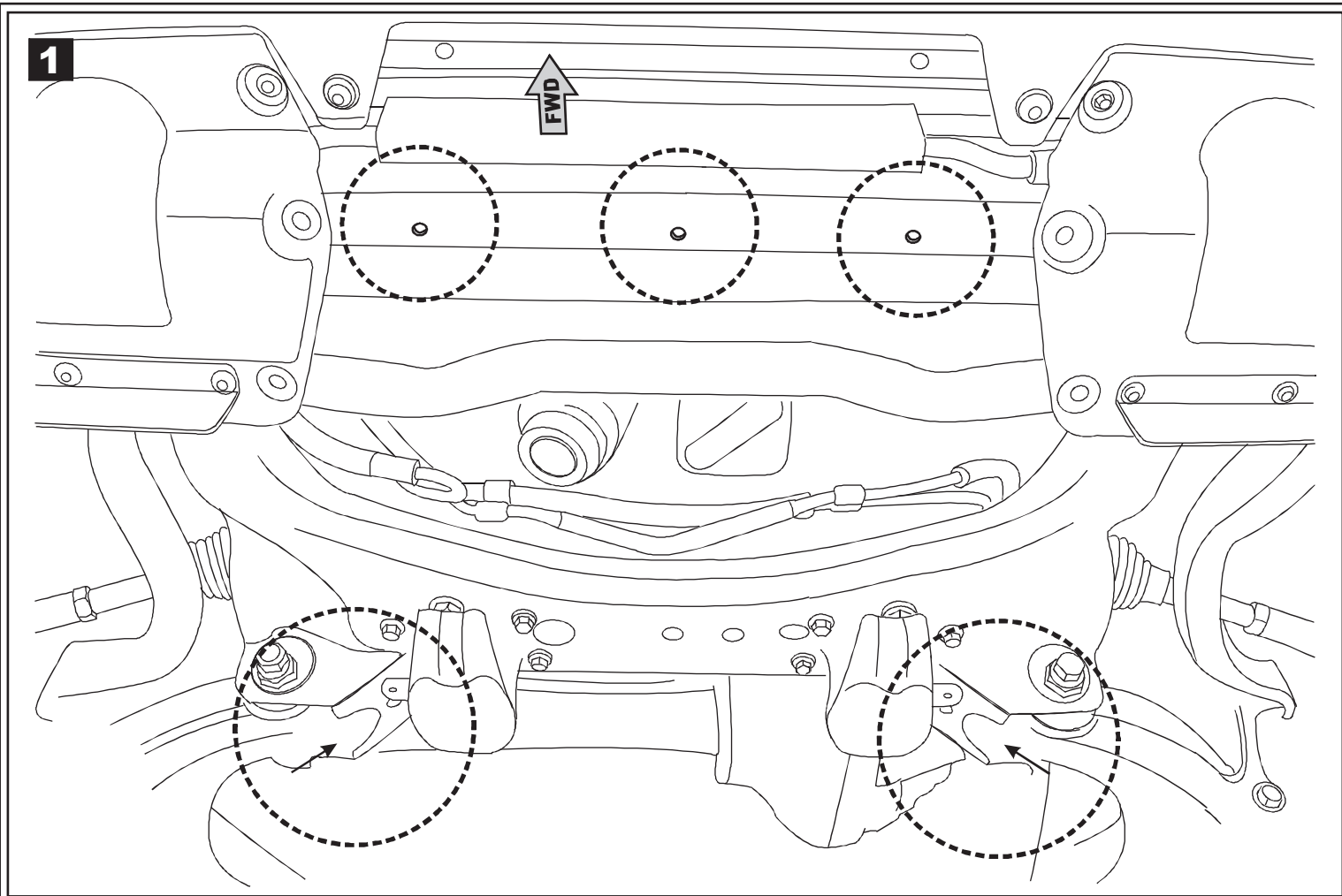
Model Year	LC200 - 2007
Vehicle Code	UZJ200L - Gxxxxx; VDJ200L - Gxxxxx
Part Number	Steel: 24.1270 Aluminium: 24.1275
 Weight	Steel: 20.3 Kg Aluminium: 13 Kg
 Installation Time	30min
Manual reference number	AIM 001-097-1



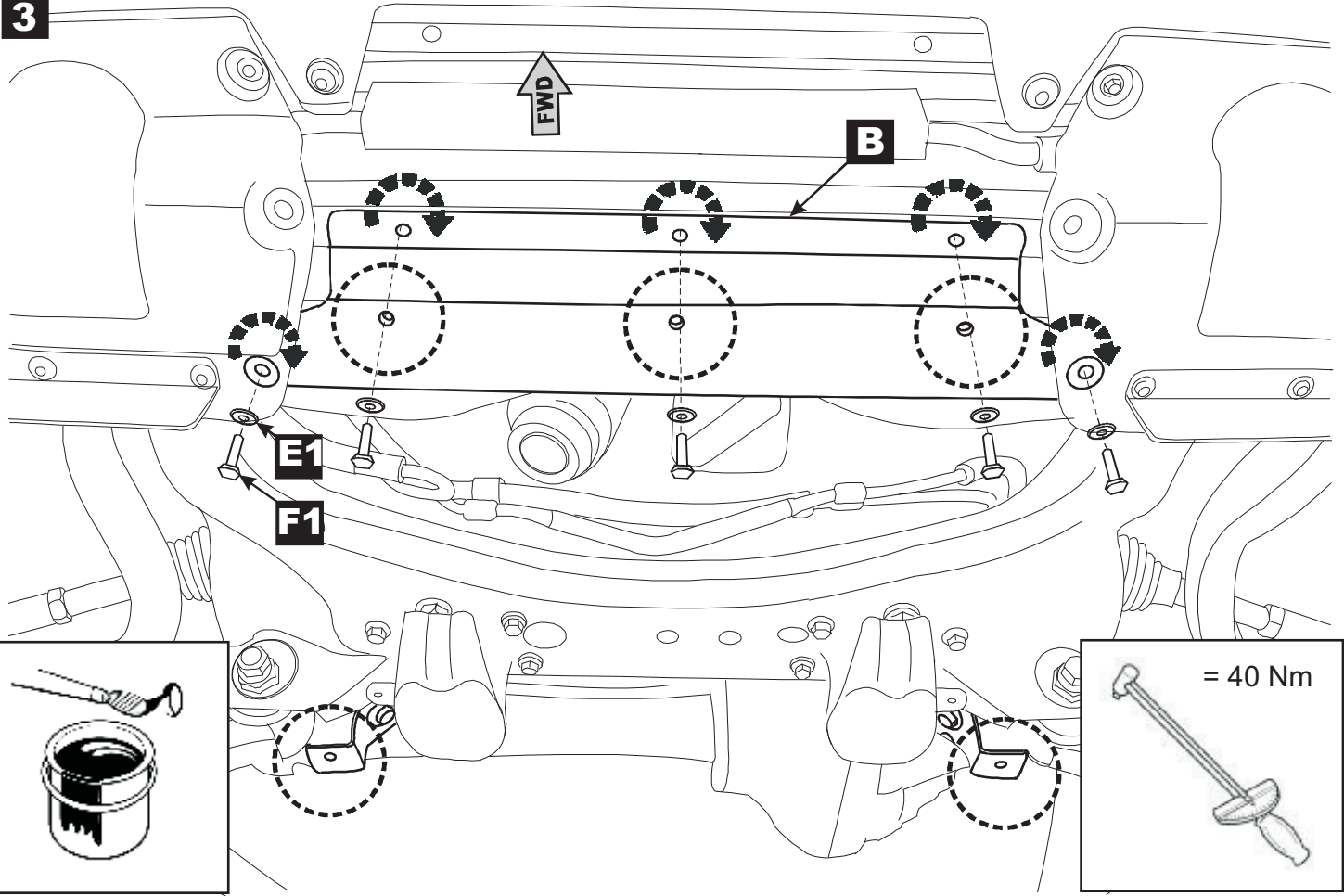
PZ4AL-01275-60

<p>B</p> <p>X1</p>	<p>C</p> <p>X2</p>	<p>D</p> <p>X2</p>	<p>E1</p> <p>X2 Ø8</p>	
<p>E2</p> <p>X 9 Ø10</p>	<p>F1</p> <p>2 x M 8x20</p>	<p>F2</p> <p>5 x M 10x20</p>	<p>F3</p> <p>2 x M 10x30</p>	<p>F4</p> <p>2 x M 10x1.25x30</p>





3



4

