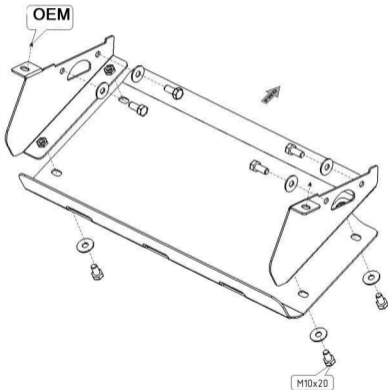


# TOYOTA LAND CRUISER 75/78

год вып.: 2007-;

Type: 24.1265 Steel

Type: 24.1266 Aluminium



1 x



1 x



4 x  
2 x

M 10x20

M 10x1.25x25



3 x  
4 x

8  
10