

Installation instructions for 24.1160V2
Under Run Protective Shield Transmission Case and Transfer Box

TOYOTA Hilux



Model Year:

2006-2010-

Vehicle Code:

KUN25L-DRMDHW
KUN25L-DRMSHW
KUN25L-PRMSHW

Part Number:

24.1160V2



Weight:

Aluminium: 6,42 kg

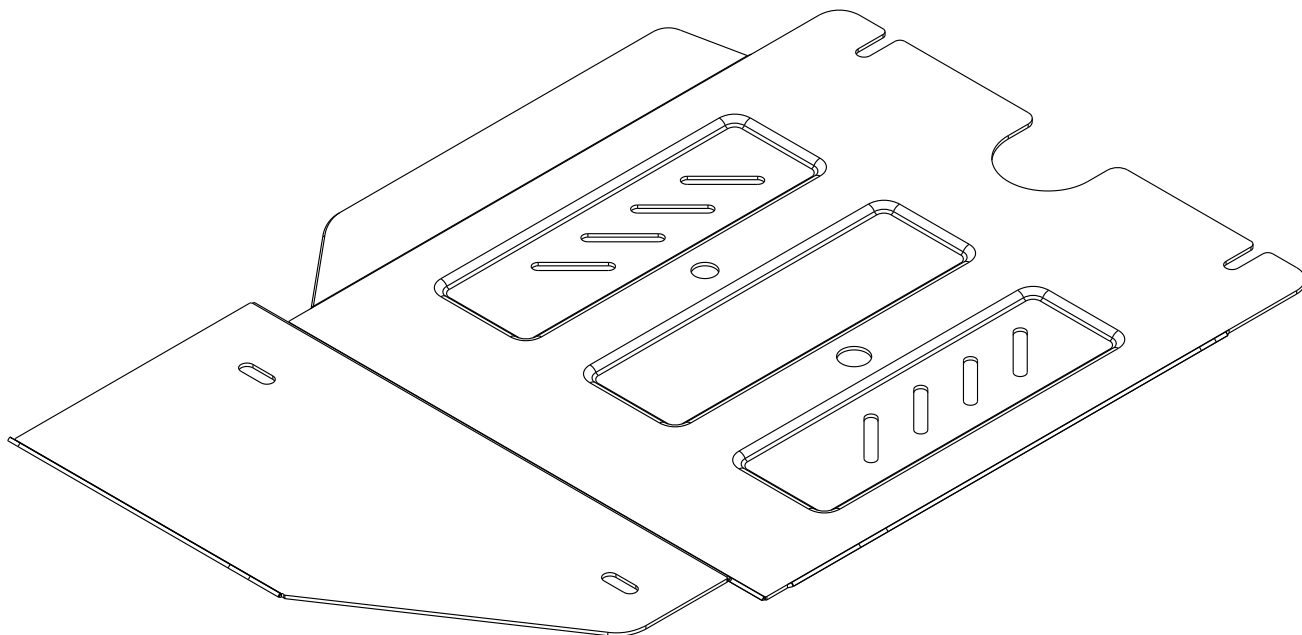


Installation Time:

20 min

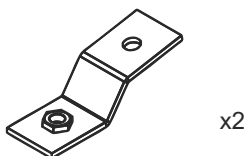
Part number: 24.1160V2

A

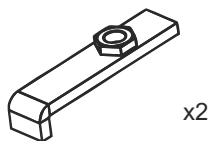


PZ4AL-01159-60

B



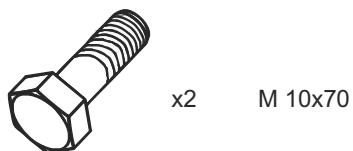
C



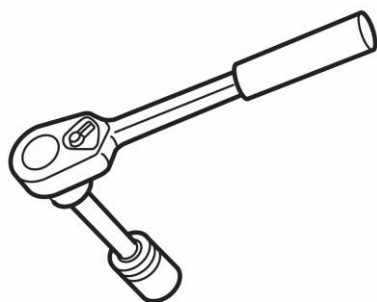
D1



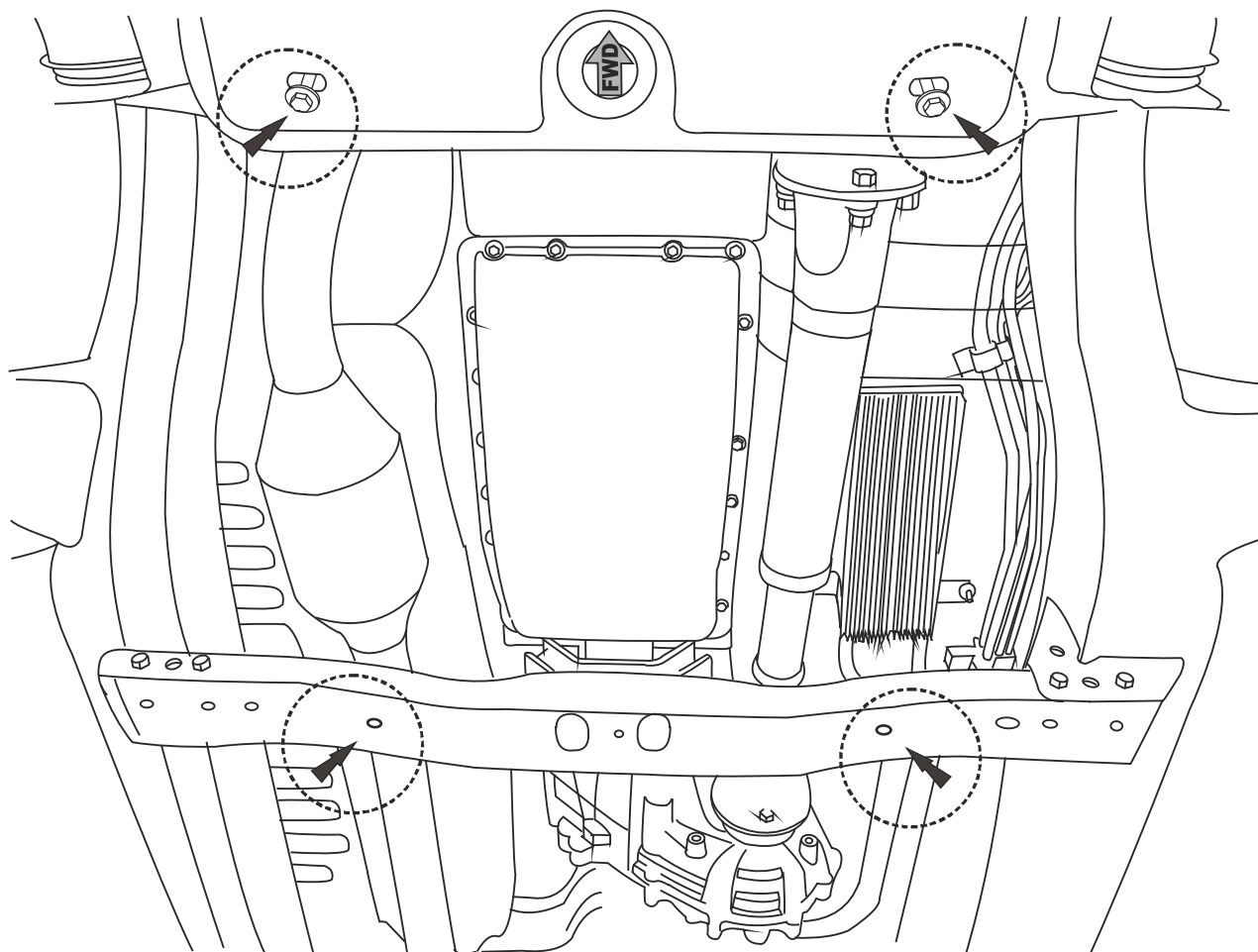
D2



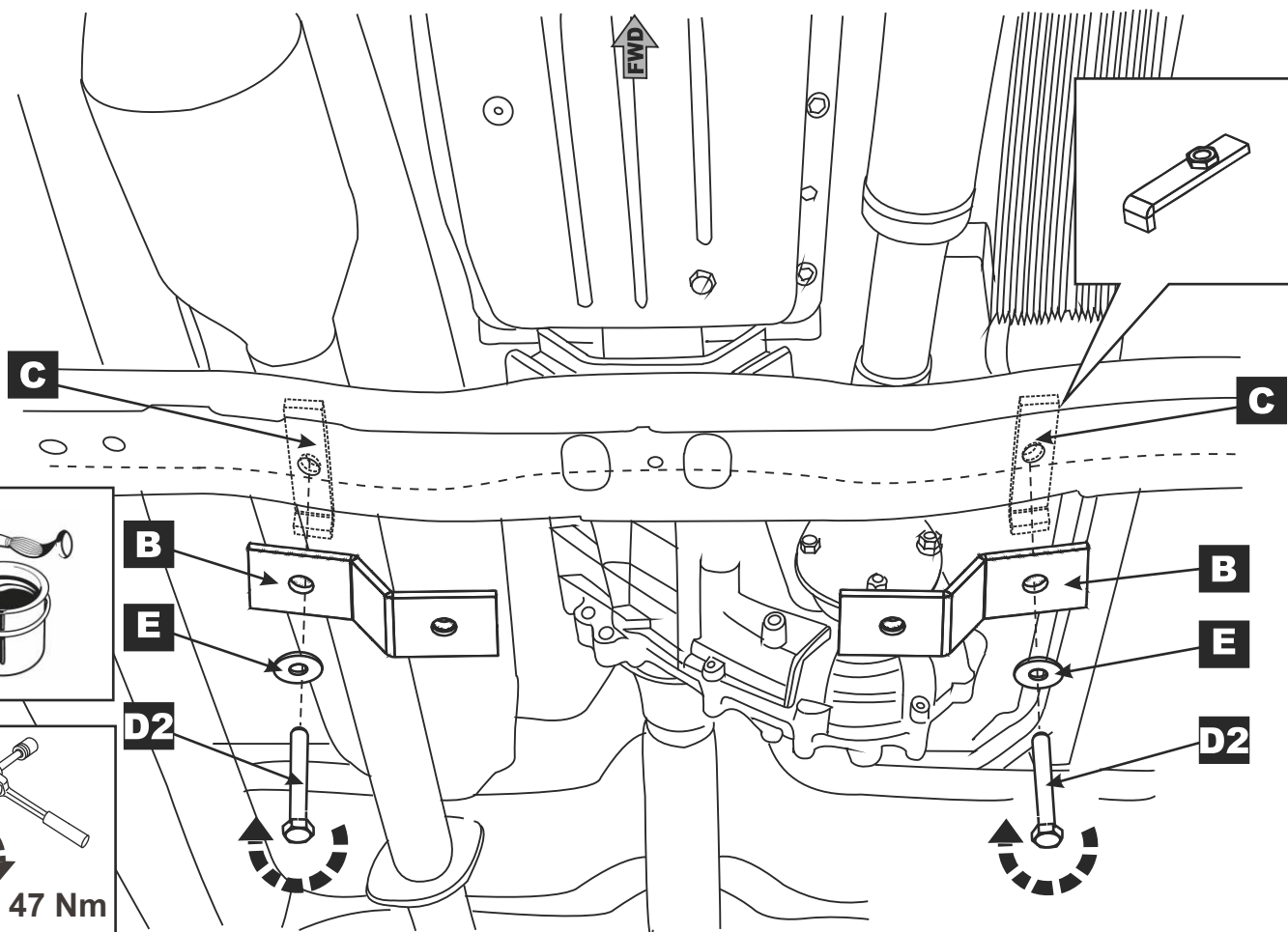
E



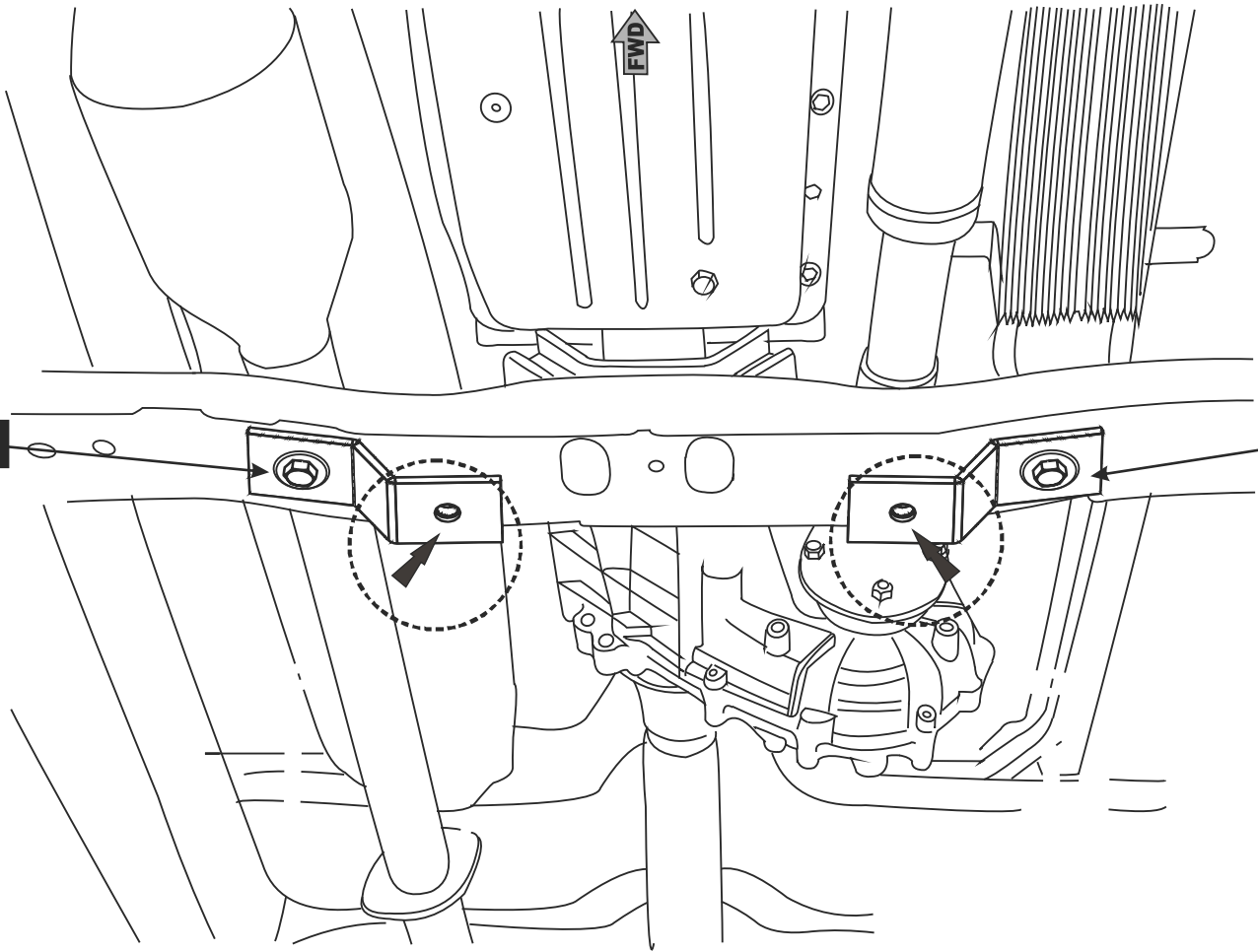
1



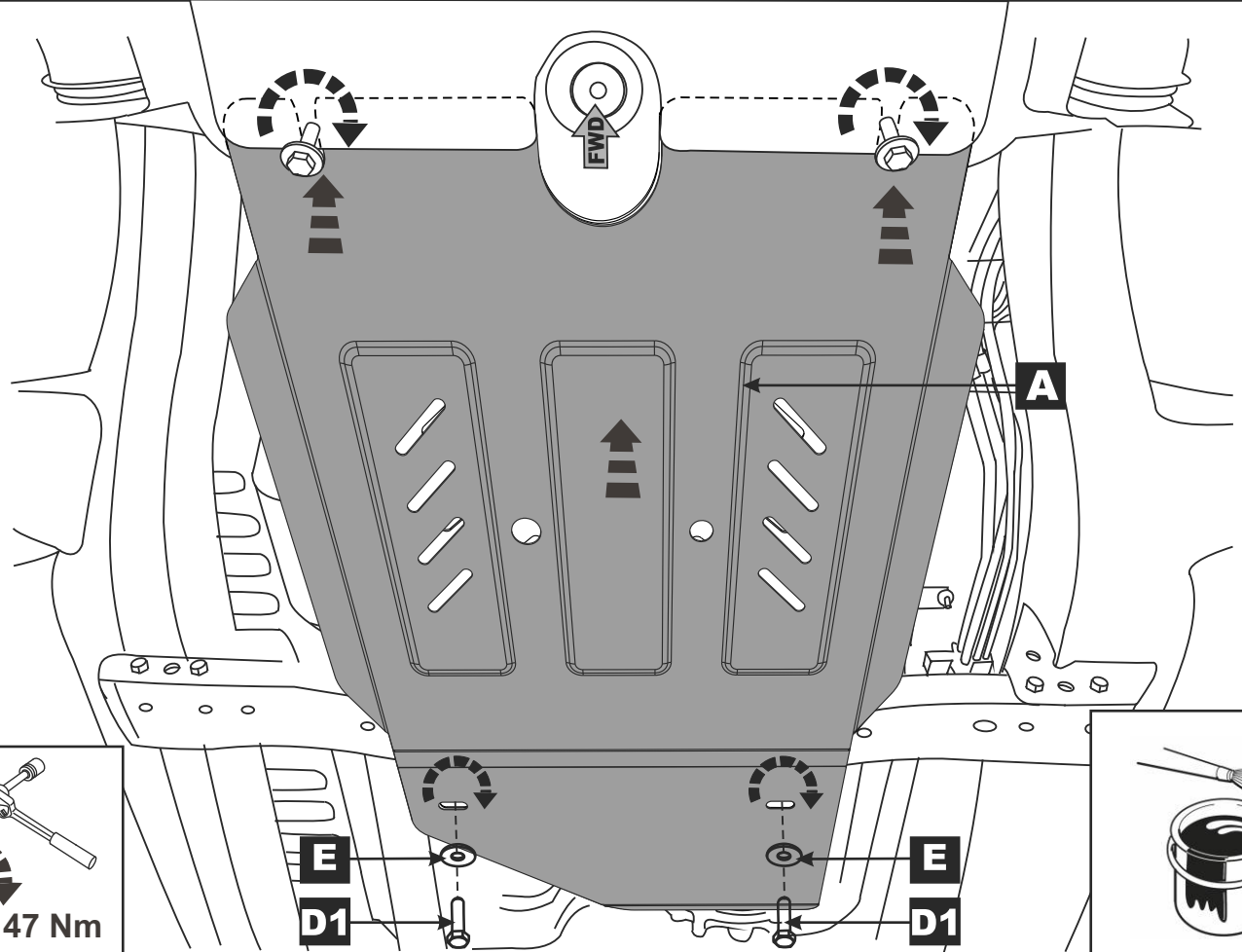
2



3



4



5

