

SHERIFF

Toyota Hilux

Under run protective shield for transmission case

Installation Instructions



Model Year: 2005-

Vehicle Code: KUN15L - * -W

Part Number: 24.1159



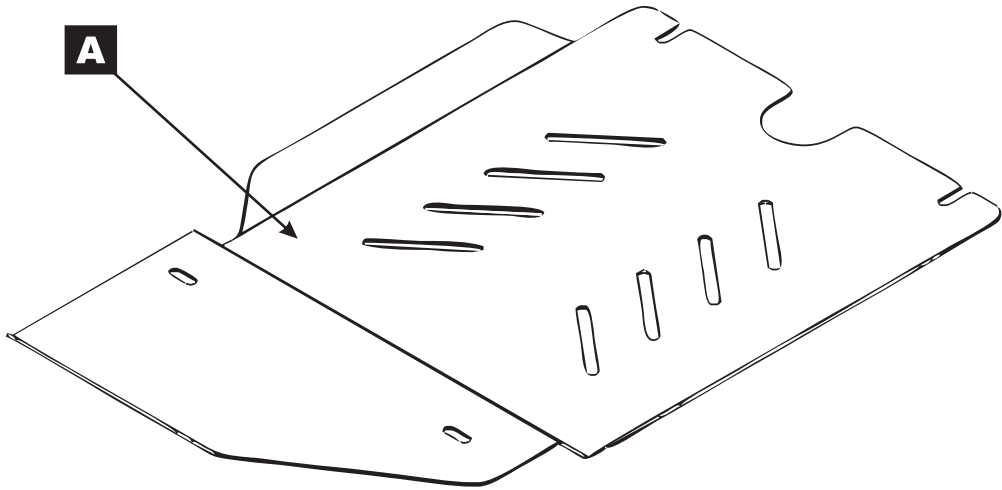
Weight: 10.5 kg



Installation Time: 20 min

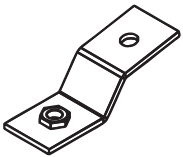
Manual reference number: AIM 001 428-0

Part number: 24.1159



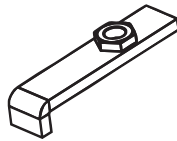
24.1159-60

B



X 2

C



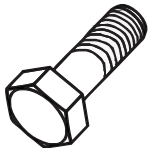
X 2

D1



2 x M 10x20

D2

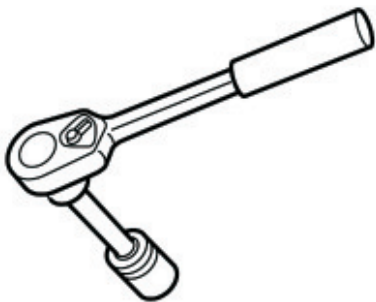


2 x M 10x70

E



4 x Ø10



Part number:
24.1159

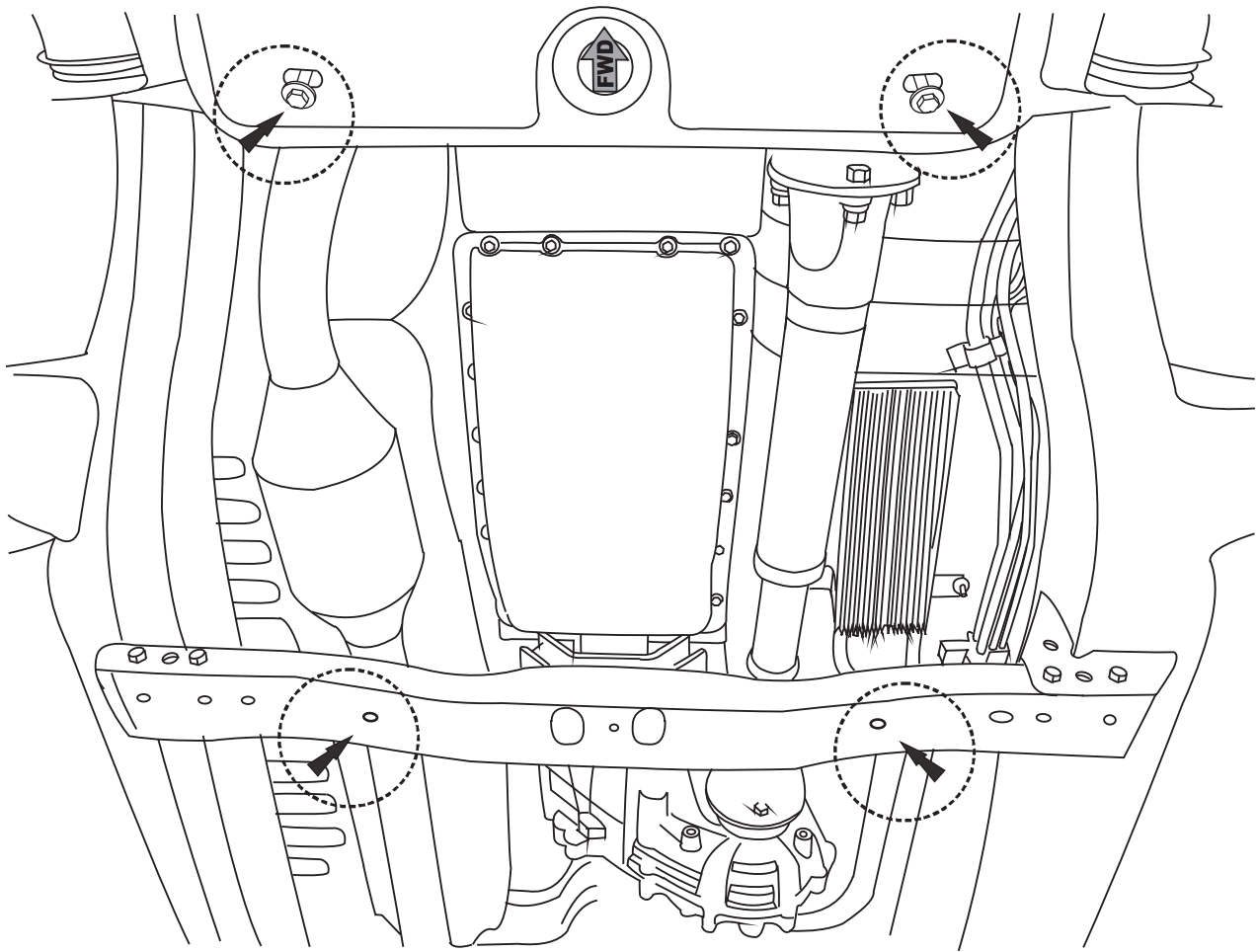
Issue:
0

Date:
11/11/08

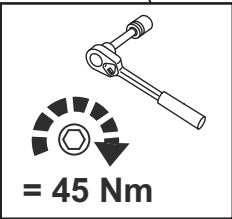
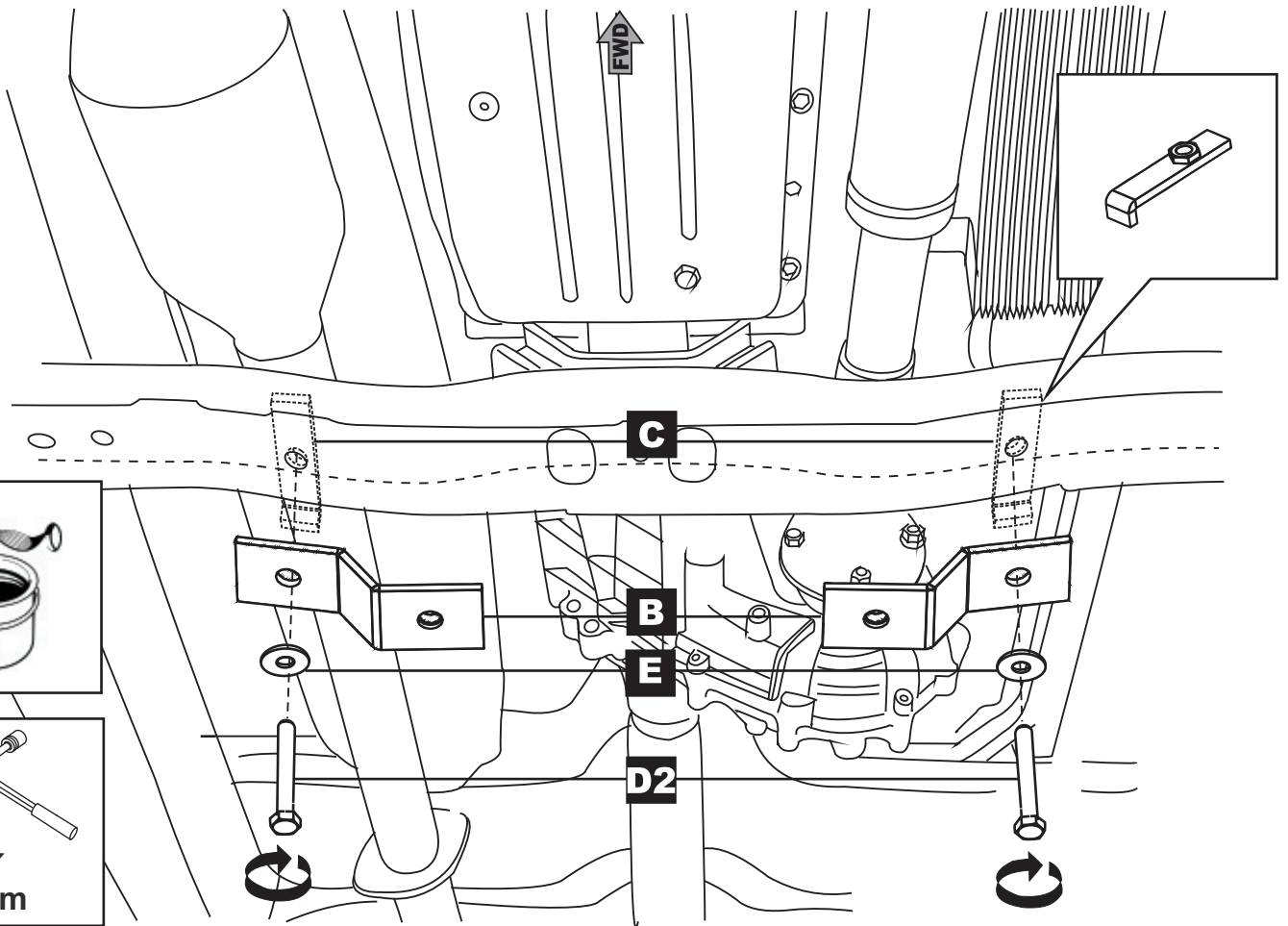
Manual reference number:
AIM 001 428-0

Page:
2/4

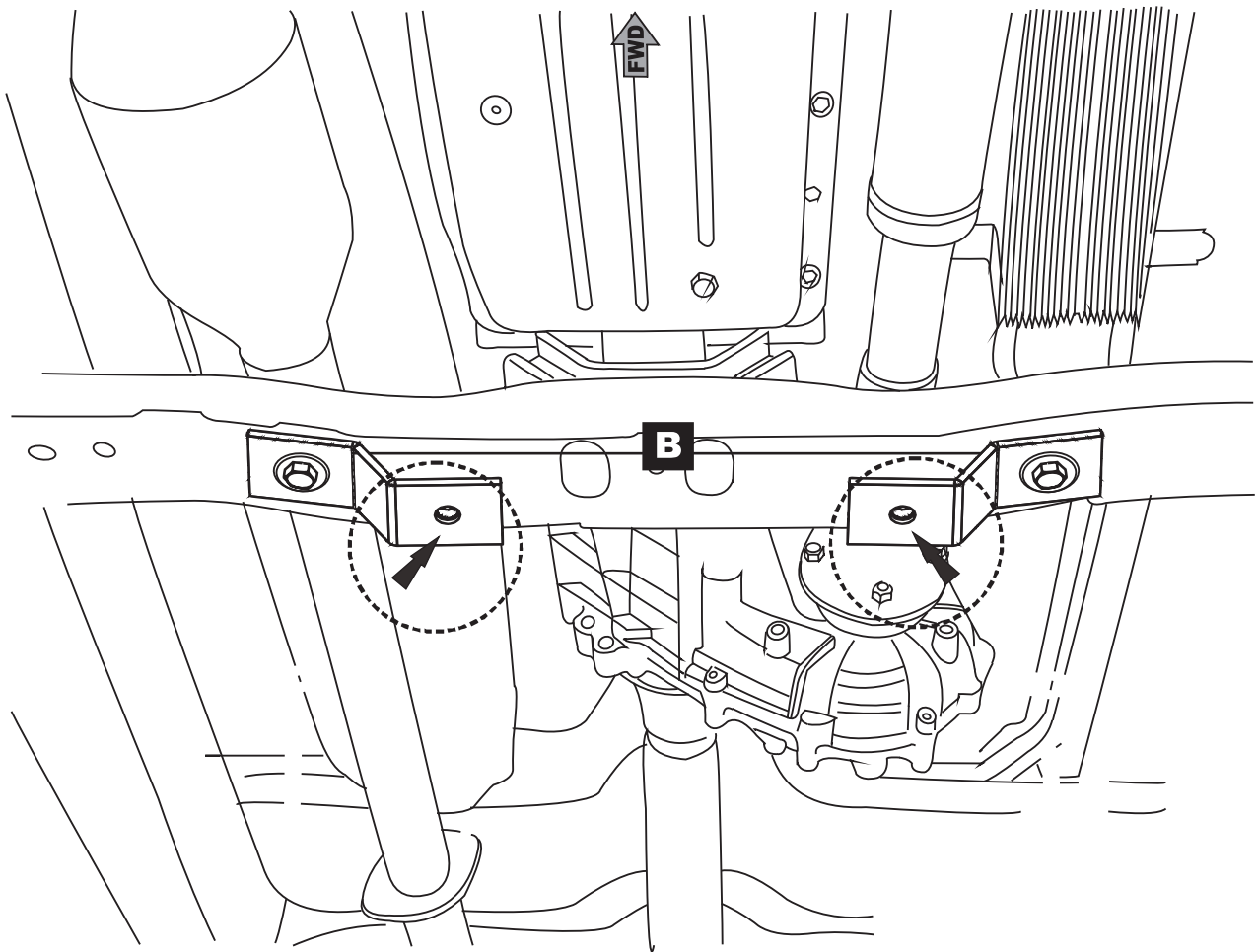
1



2



3



4

