

Installation instructions for  
Under Run Protective Shield Engine Bay **24.1158V2**

# TOYOTA Hilux



Model Year: **2006-2010-**

Vehicle Code: KUN25L-DRMDHW  
KUN25L-DRMSHW  
KUN25L-PRMSHW

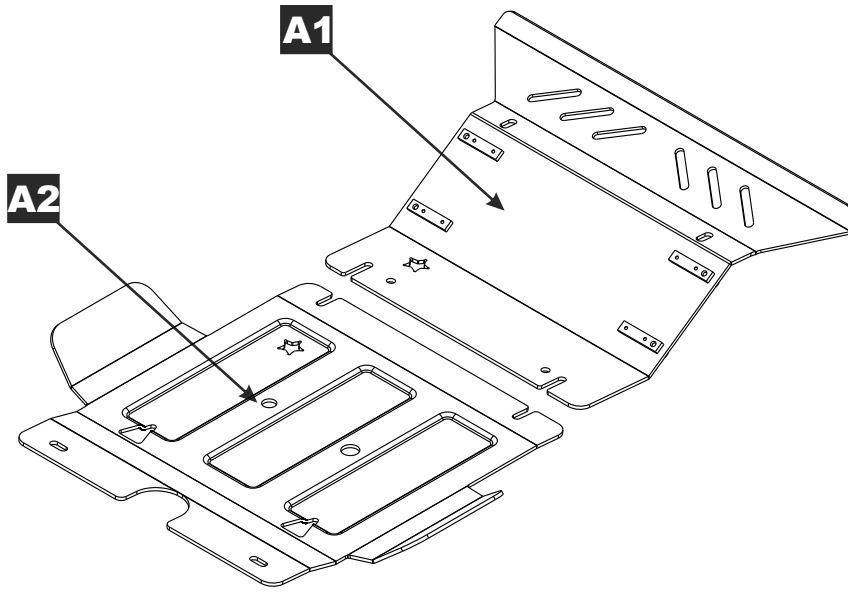
Part Number: 24.1158V2



Weight: Aluminium: 7,6 kg



Installation Time: 30 min



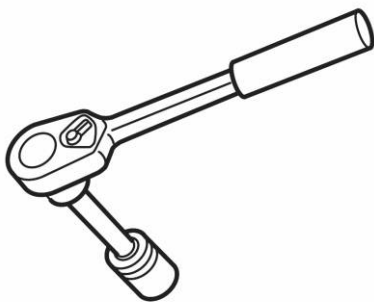
**B1**



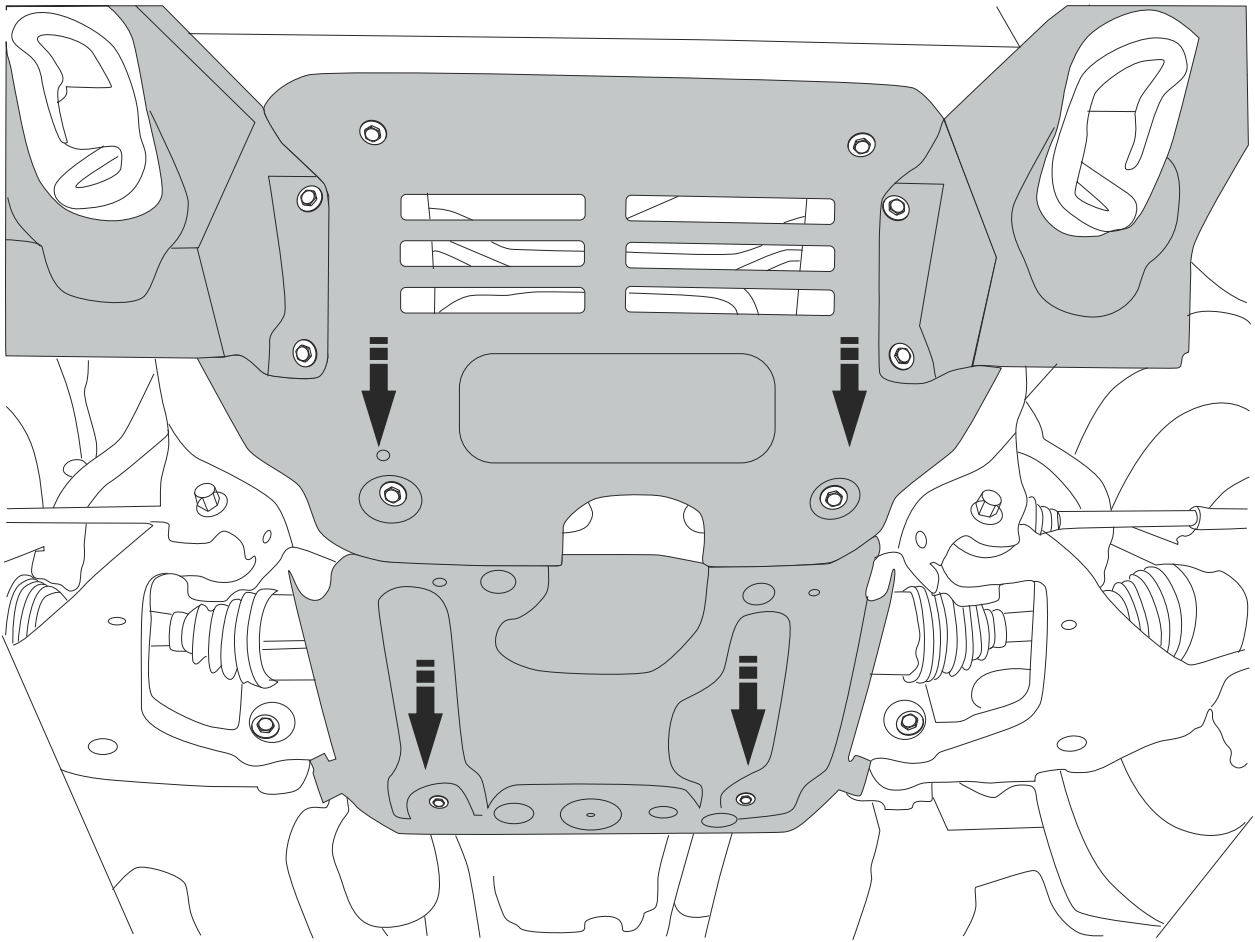
**B2**



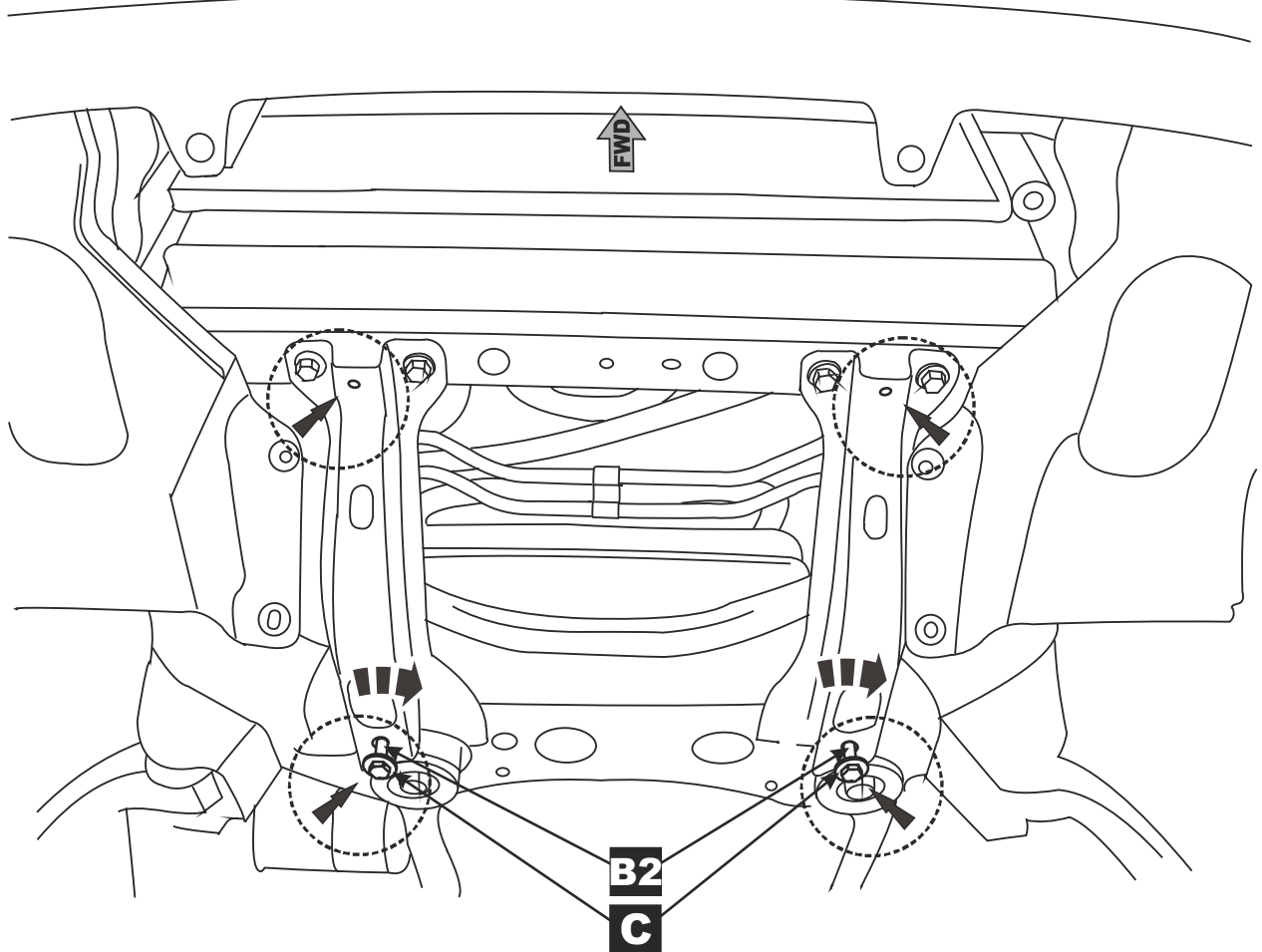
**C**



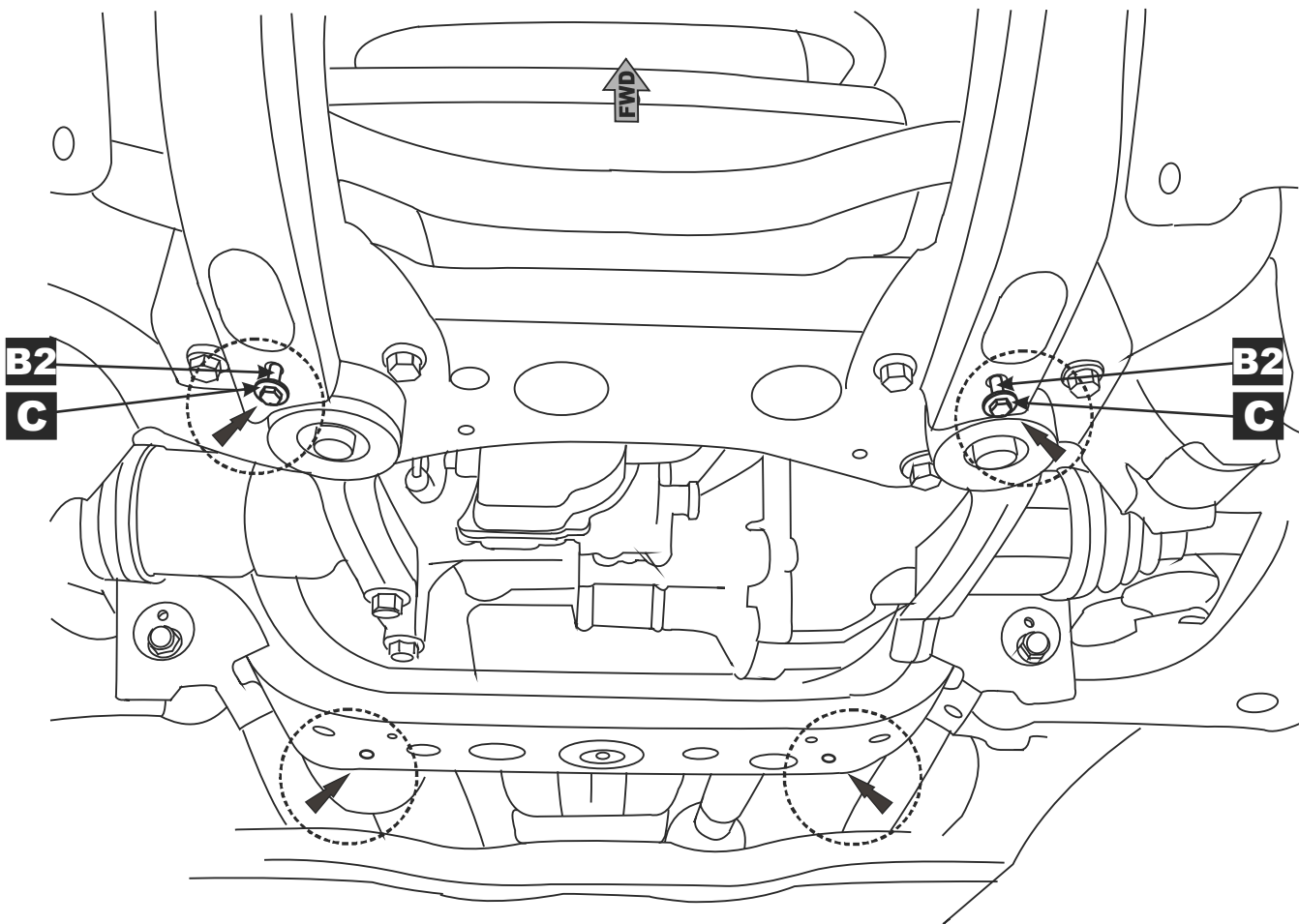
**1**



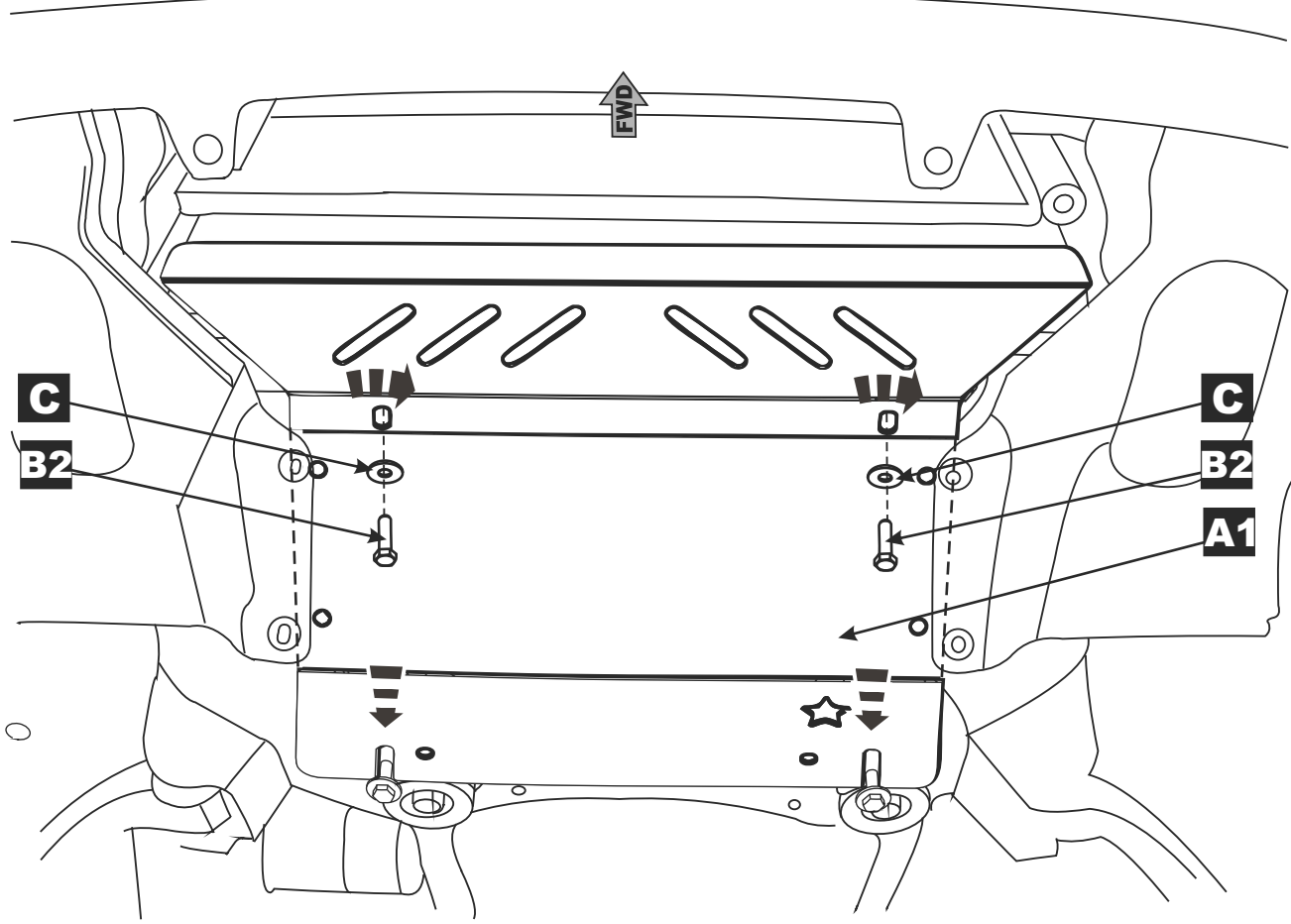
**2**



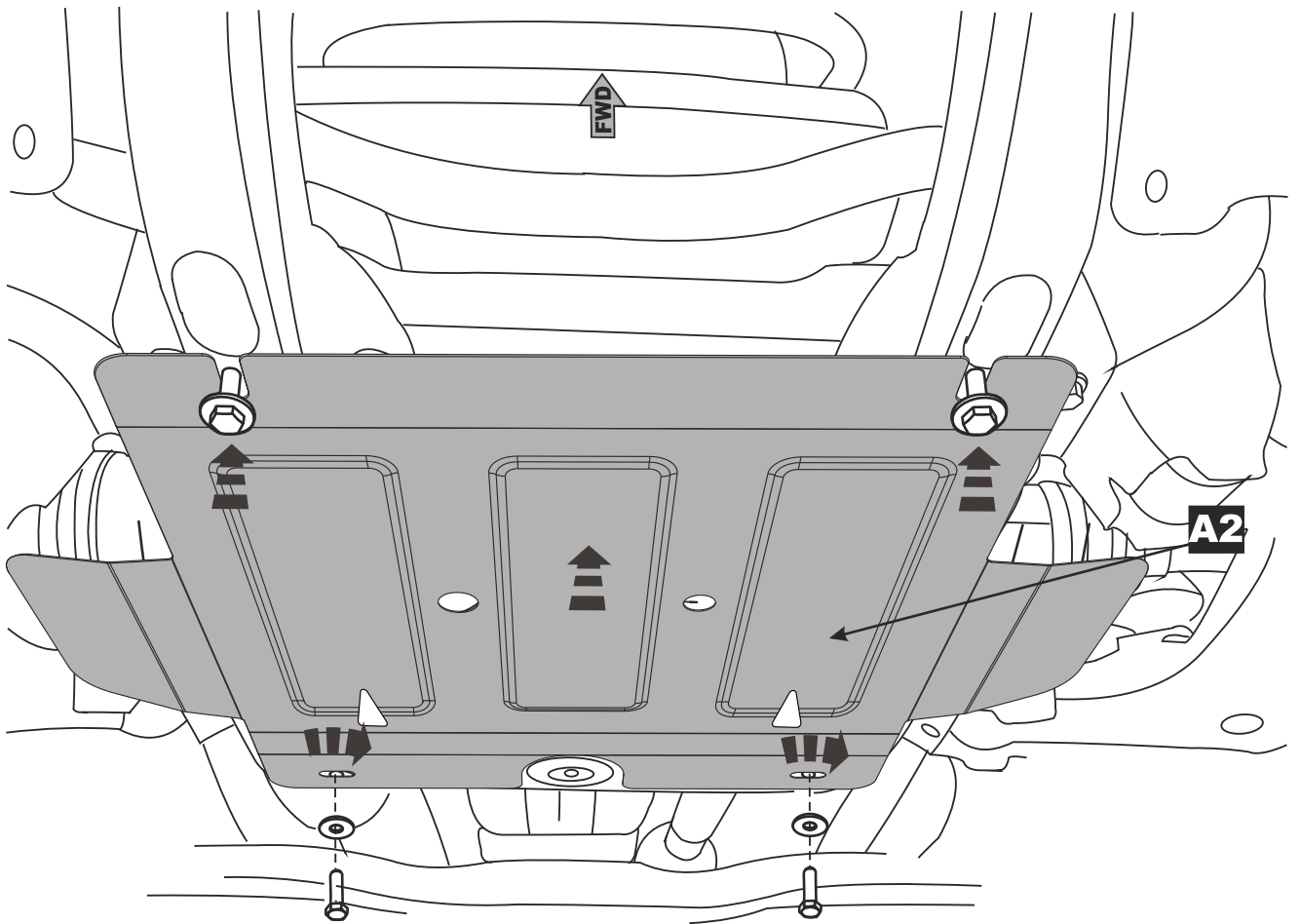
3



4



**5**



**6**

