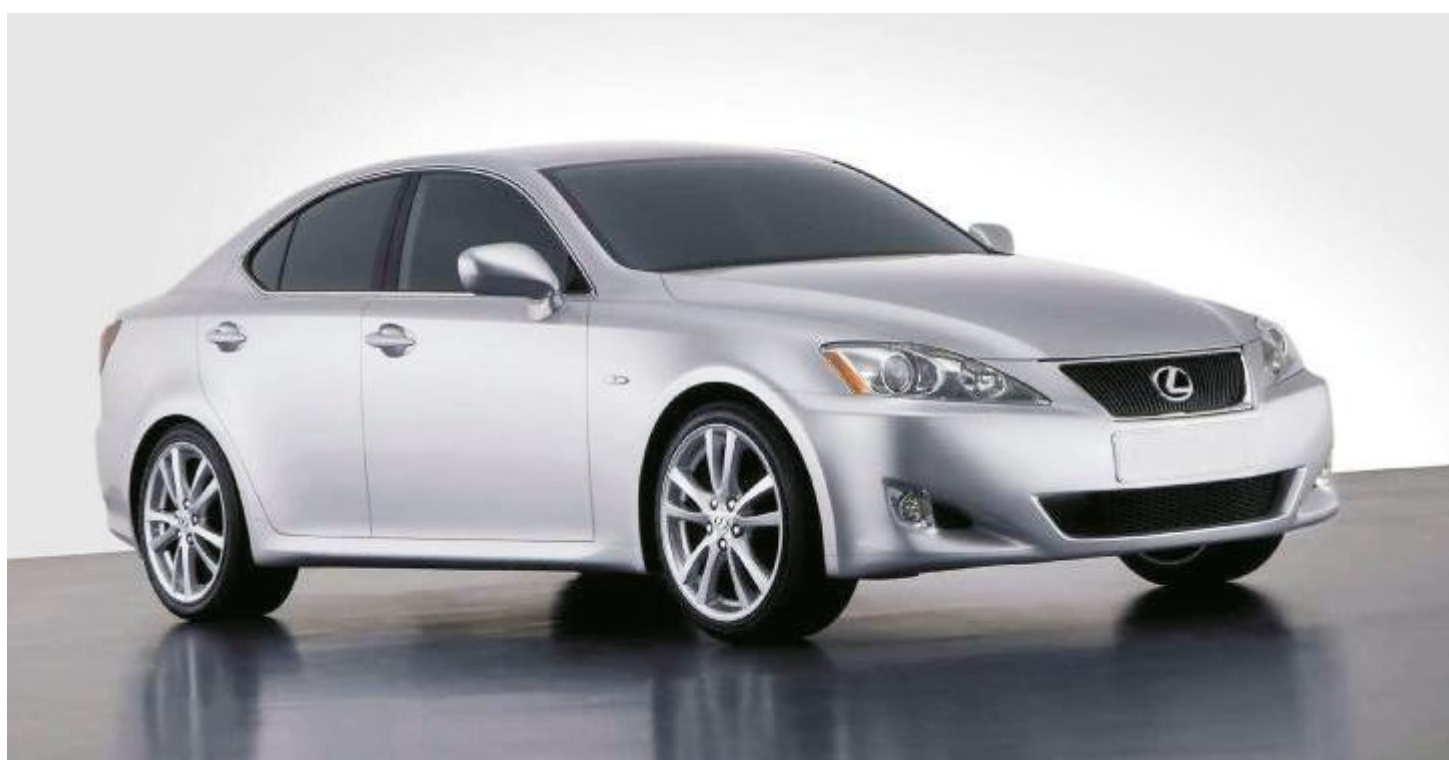


# Installation instructions for PZ4AL- 08330- 00

## **LEXUS - IS 250**

### Under Run Protective Shield engine bay



Model Year: 2005

Vehicle Code: GSE20L-AETLHW

Part Number: PZ4AL- 08330- 00



Weight: 11,1 kg

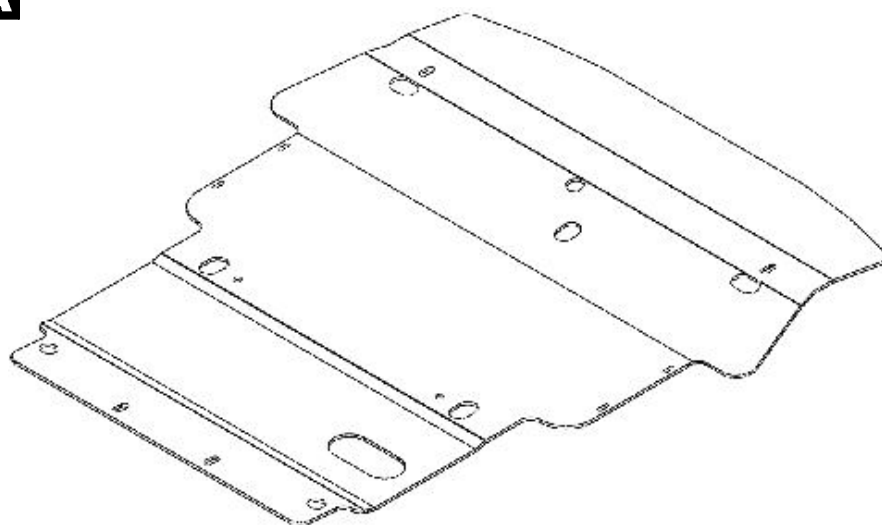


InstallationTime: 20 min

Manual reference number: AIM 000-854-0

Part number: PZ4AL - 08330 - 00

**A**



PZ4AL-08330-60

**B**



4 x Ø10

**C1**



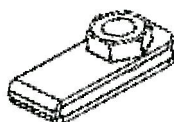
2 x M10X30

**C2**

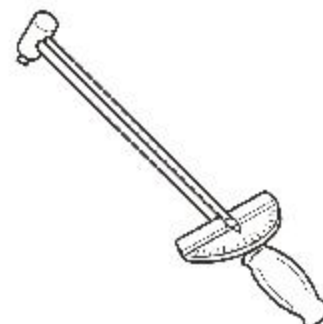
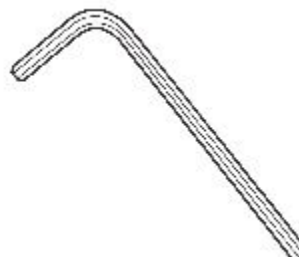
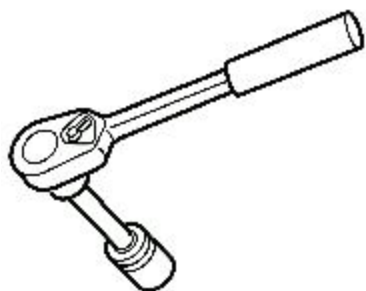


2x M10X40

**D**



4 x



Part number:  
PZ4AL - 08330 - 00

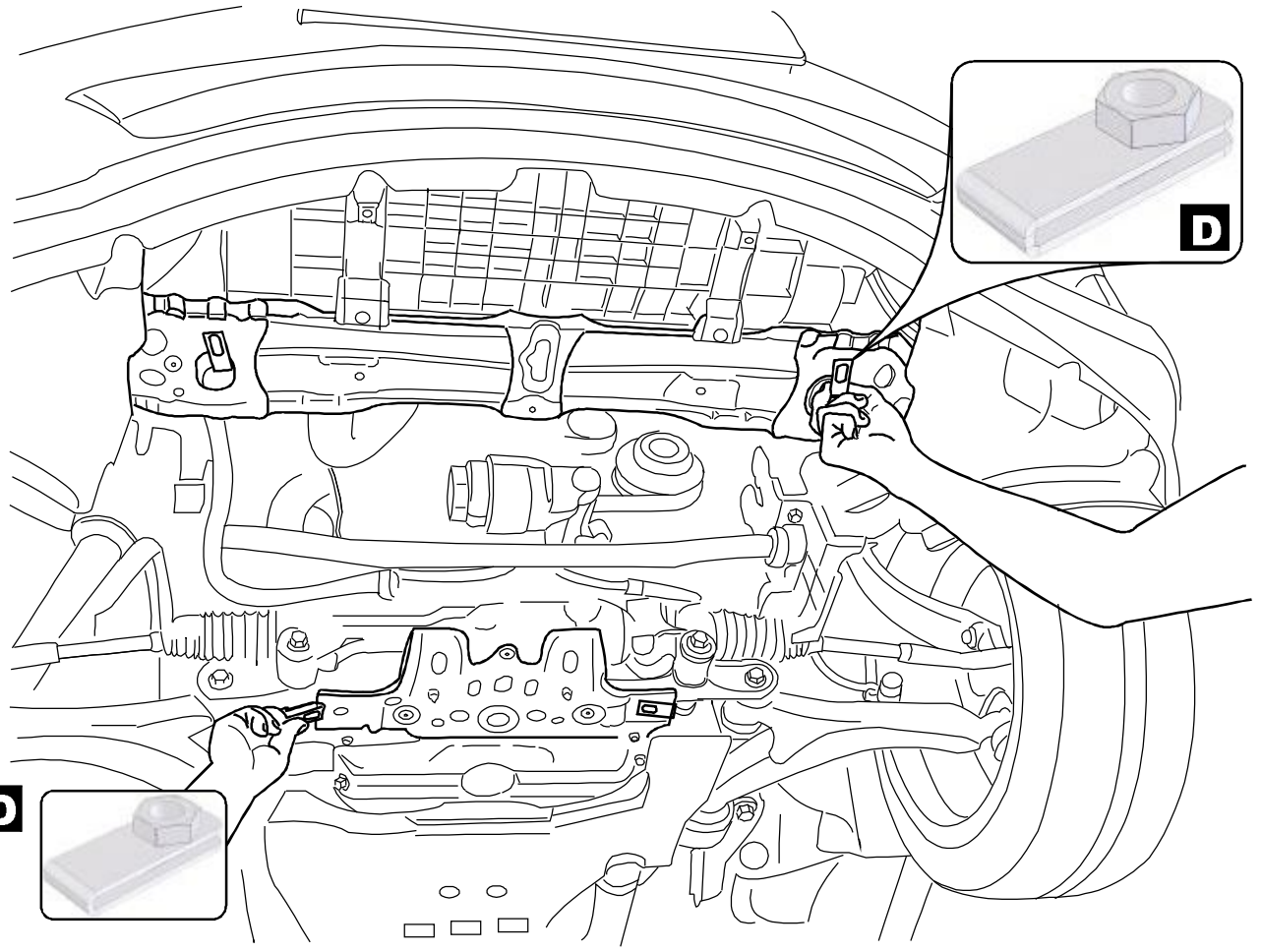
Issue:  
0

Date:  
19/12/06

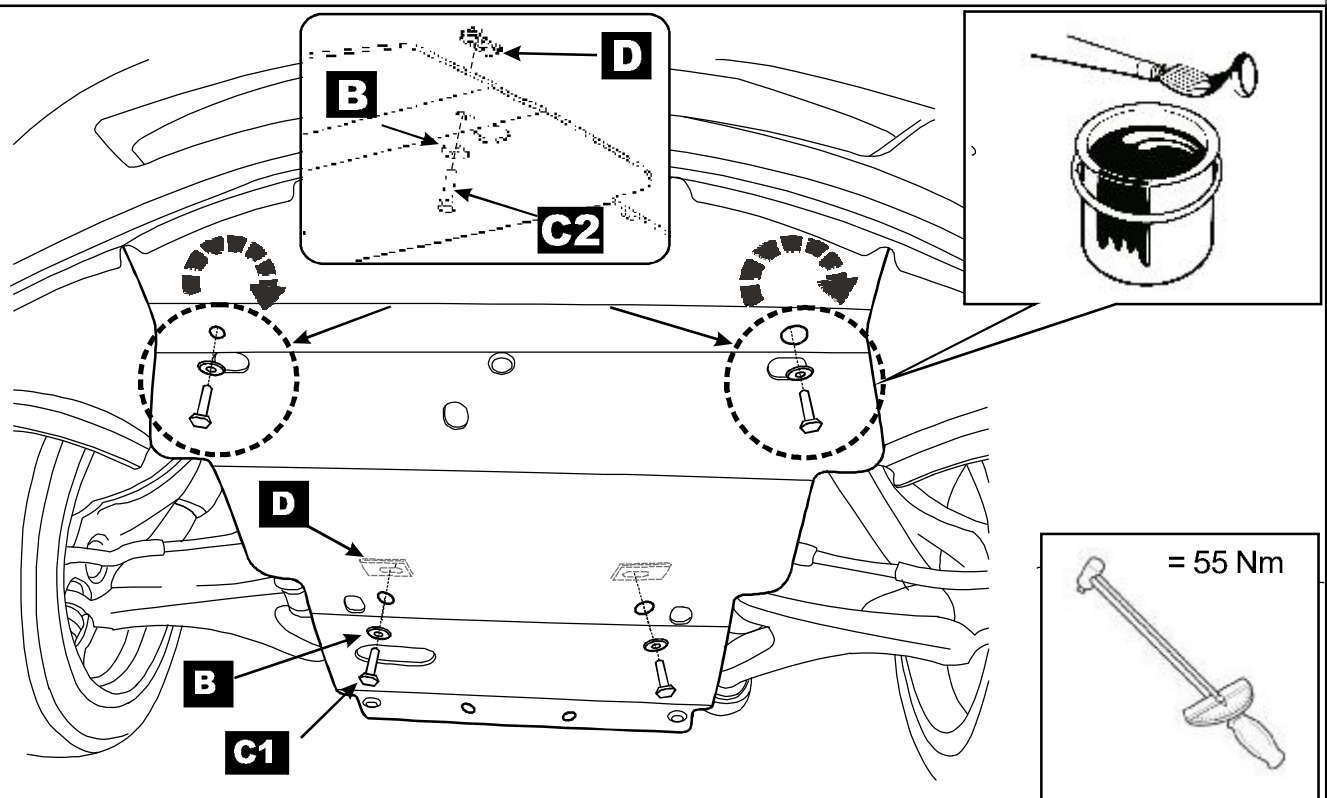
Manual reference number:  
AIM 000-854-0

Page:  
2/3

**1**



**2**



Part number:  
PZ4AL - 08330 - 00

Issue:  
0

Date:  
19/12/06

Manual reference number:  
AIM 000-854-0

Page:  
3/3