

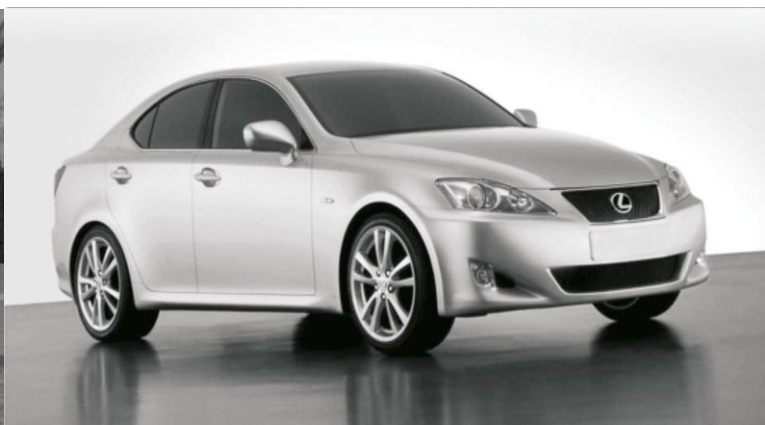
Installation instructions for PZ4AL-00772-00



Skid plate for transmission case

LEXUS - GS300



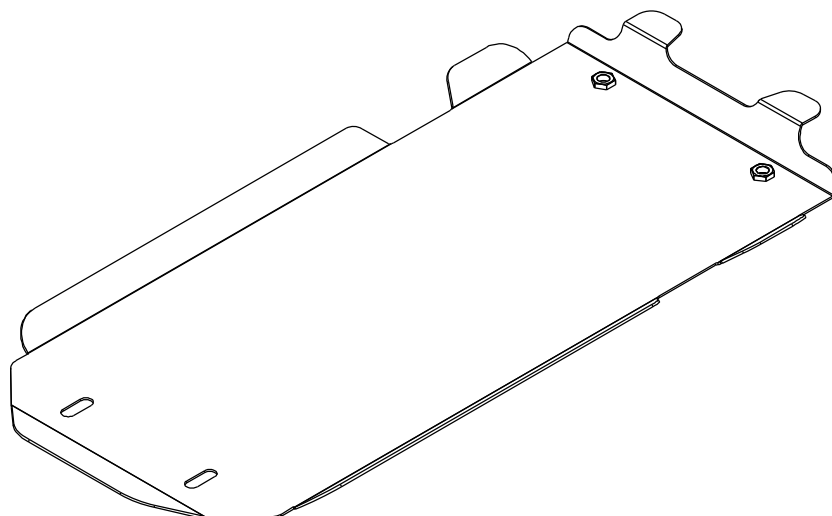
LEXUS - IS250



Model Year	GS300 -2005	IS250 - 2005
Vehicle Code		GRS190L-BETQHW
Part Number		PZ4AL-00772-00
 Weigh		4.6Kg
 Installation Time		20min
Manual reference number		AIM 002 089-0

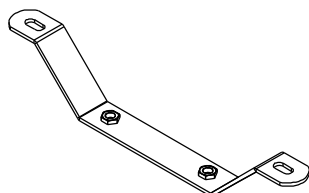
Part number: PZ4AL-00772-00

A



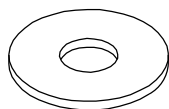
PZ4AL-00772-00

B



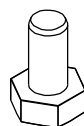
1 x

C



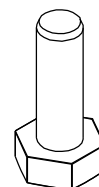
4 x Ø10

D1

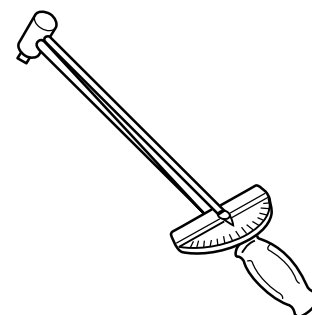
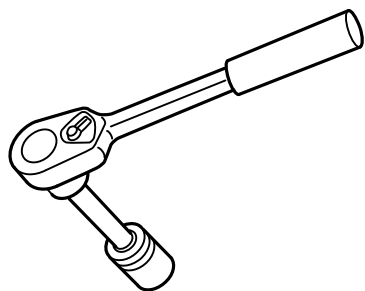


2 x M10X20

D2



2 x M10X30



Part number:
PZ4AL-00772-00

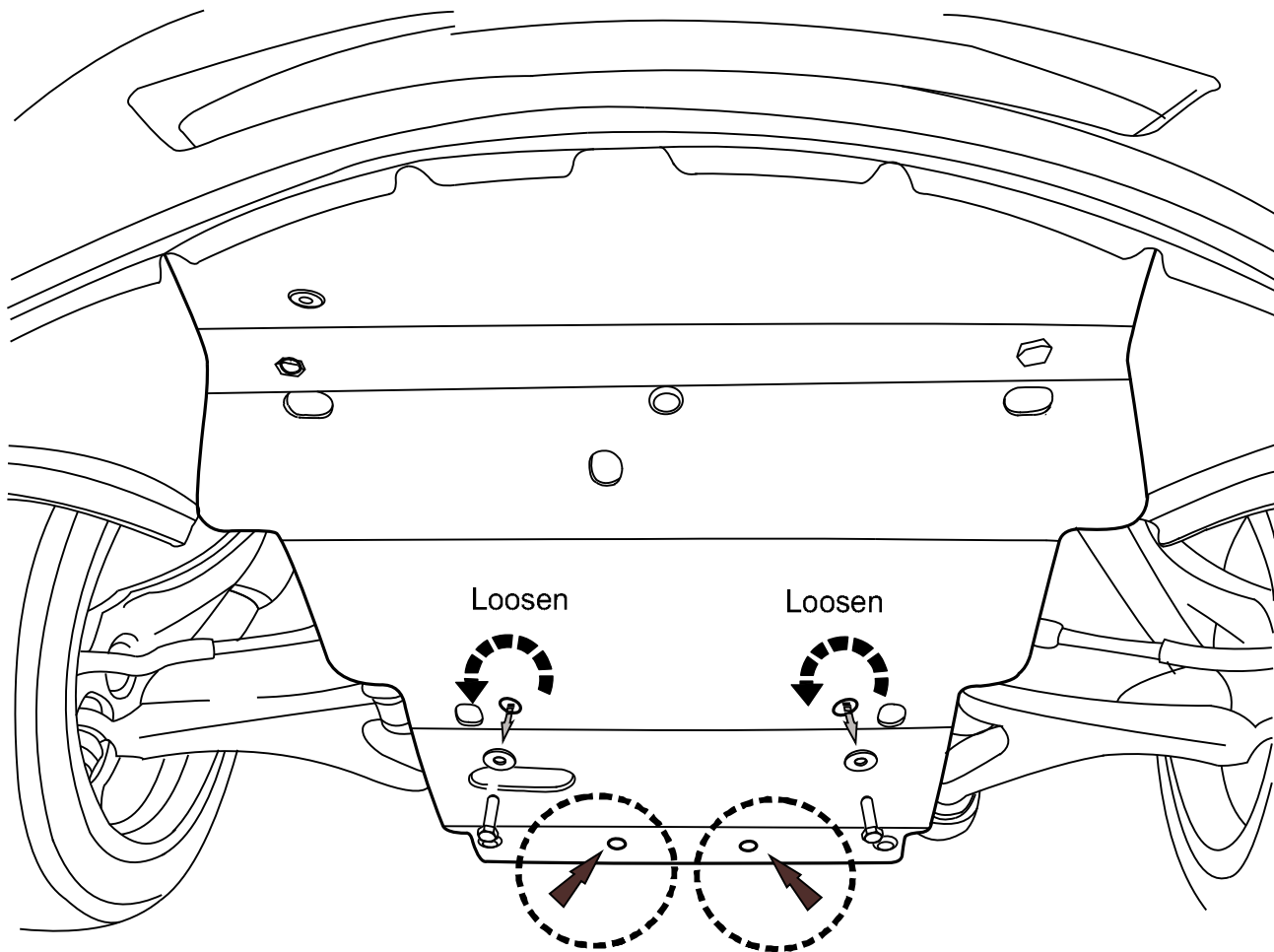
Issue:
0

Date:
19/12/06

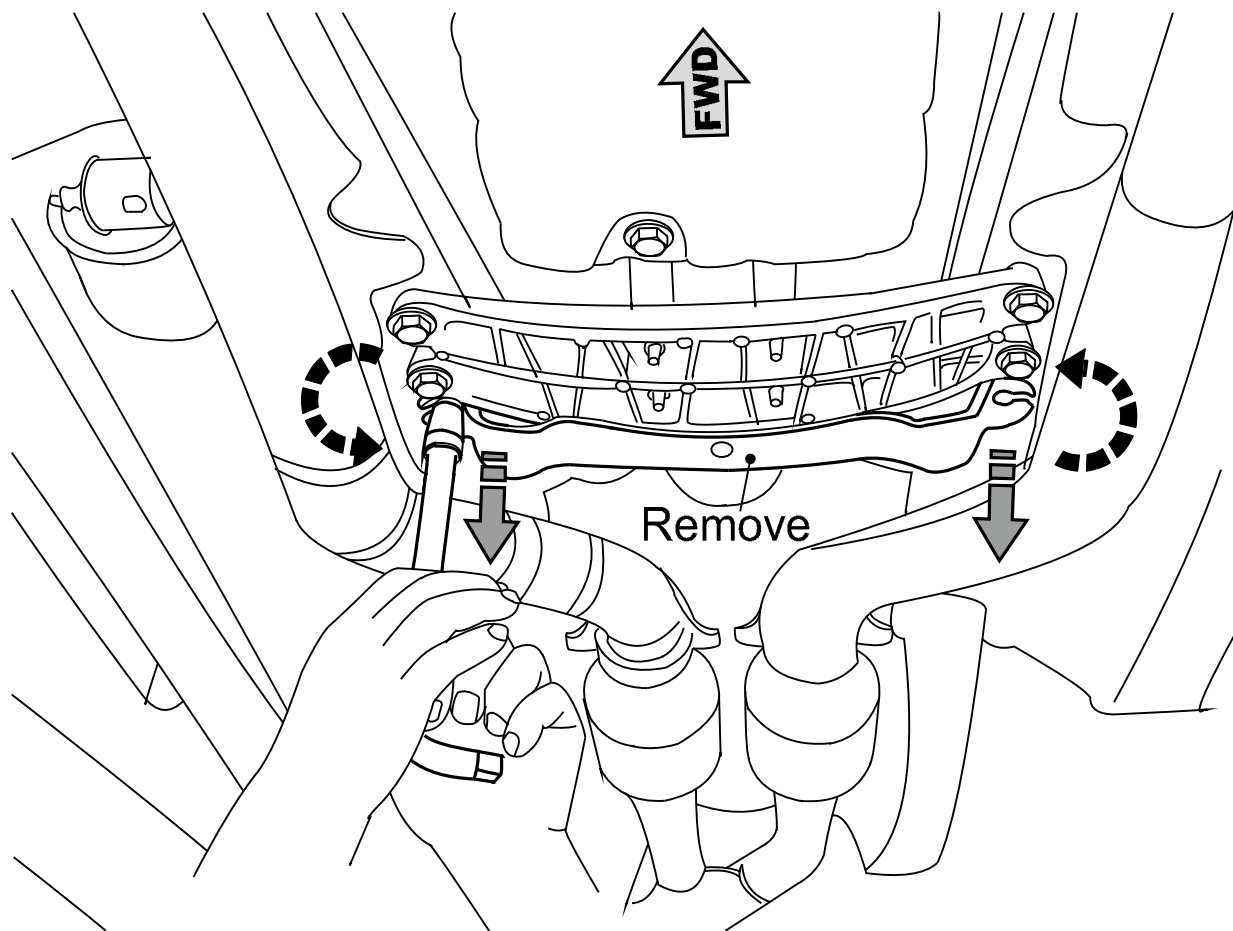
Manual reference number:
AIM 002 089-0

Page:
2/4

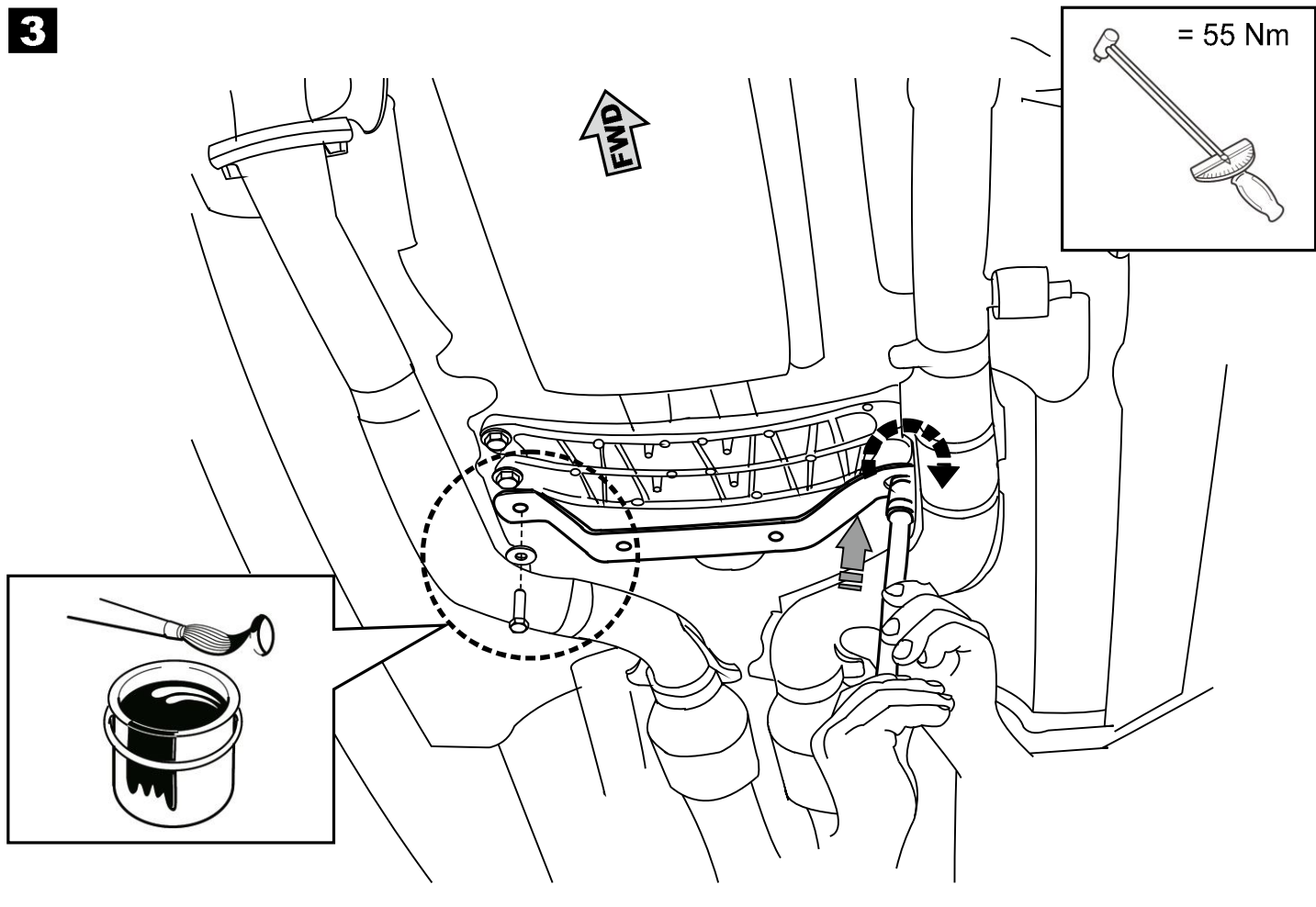
1



2



3



4

