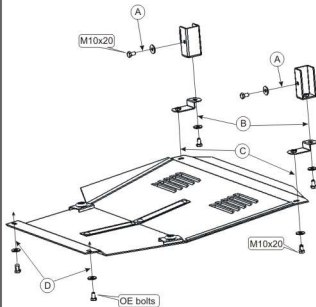


Toyota Yaris

Body: years.:1999-; V: 1,3;
VIN:- TYPE :24.427



1. Disassemble the skid plate to component parts.
2. Fix spacers to the radiator beam supports with bolts M 10x20-(A).
3. Fix lugs to mounted spacers with bolts M 10x20-(B).
4. Fix the front part of the skid plate to mounted lugs with bolts M 10x20-(C).
5. Fix the rear part of the skid plate with OE bolts-(D).
5. Tighten all screw joints.



6 x M 10x20



6 x 10



2 x Lugs



2 x Spacer right + left