



Installation instructions for PZ4AL-02580-00

TOYOTA RAV 4

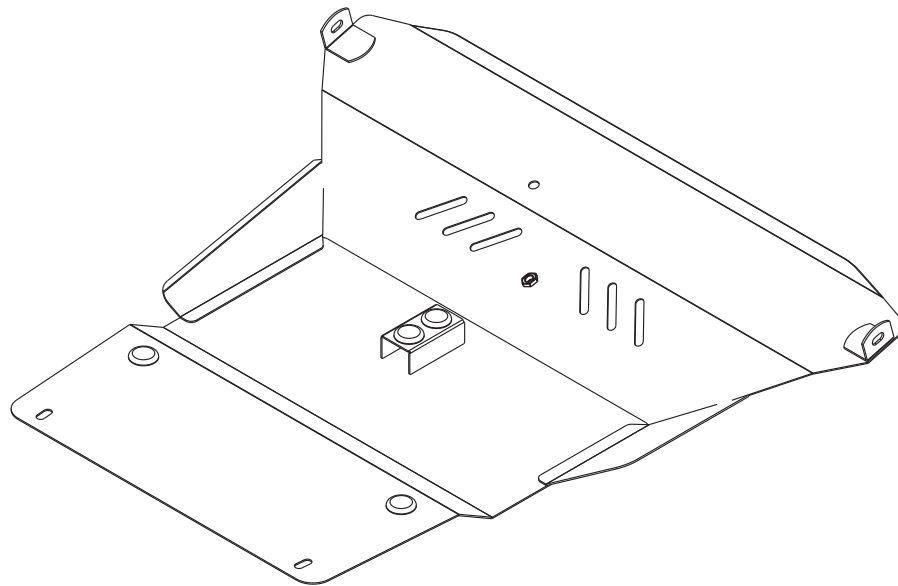
Under Run Protective Shield



Model Year	2000-2004 -
Vehicle Code	ZSA3*L-BW**W, ALA3*L-BW**W
Part Number	PZ4AL- 02580- 00
 Weight	12.61Kg
 Installation Time	30min
Manual reference number	AIM-002-010-0

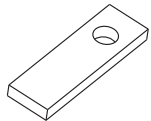
Part number: PZ4AL-02580-00

A



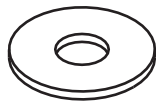
PZ4AL- 02580- 60

B



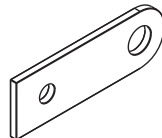
x3 SD3003

C



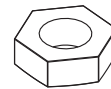
x9 SD7001

D



x1 SD9001

E



2 x M 10

F1



1 x M 8x30

F2



3 x M 10x30

F3



2 x M 10x50

F4



2 x M 10x70

G1

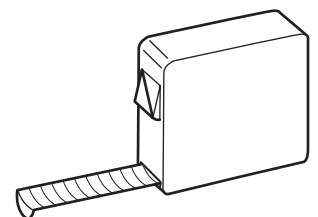
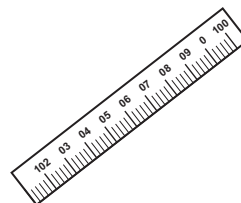
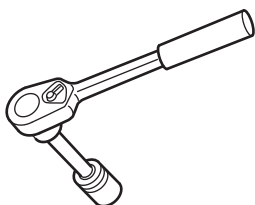


1 x 8

G2



9 x 10



Part number:
PZ4AL- 002580- 00

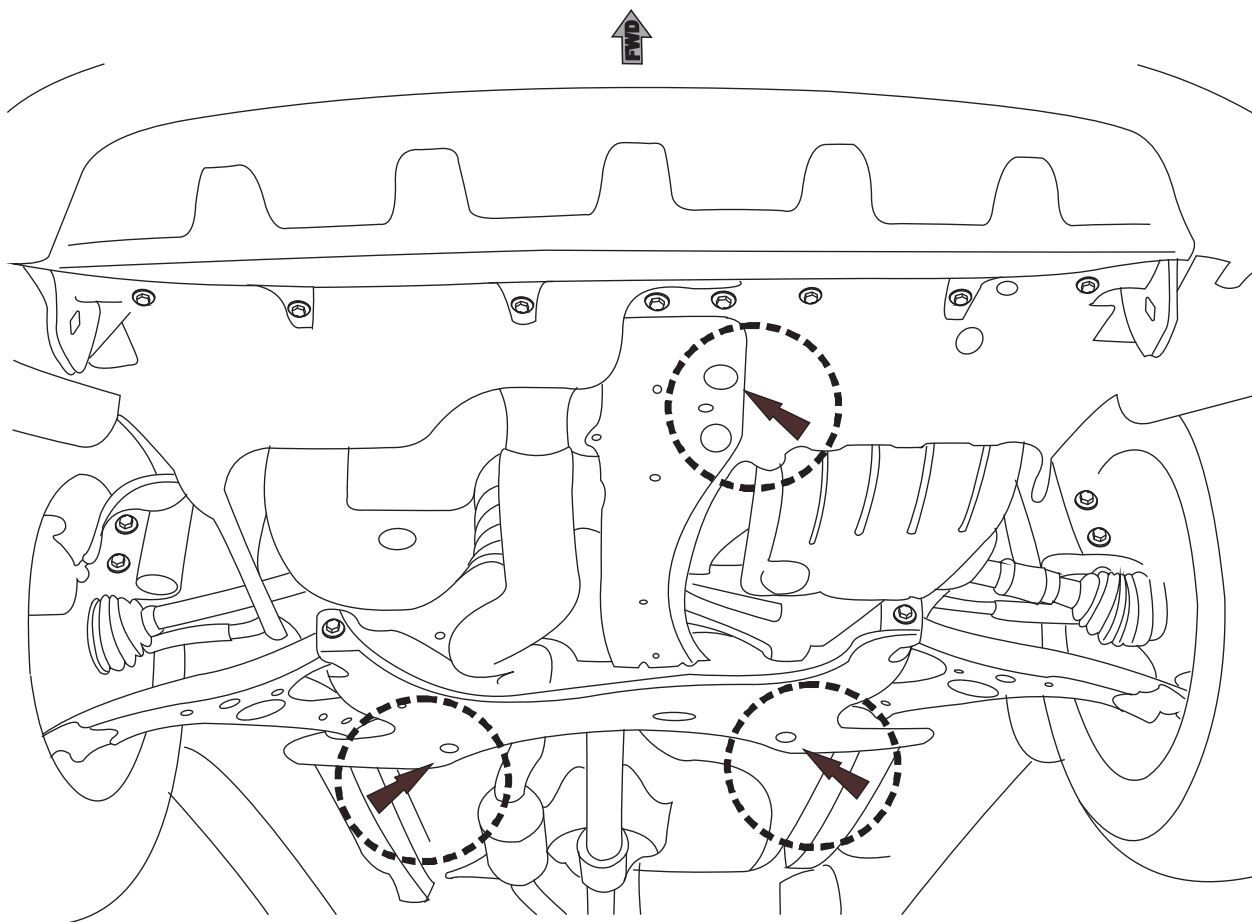
Issue:
0

Date:
14/07/10

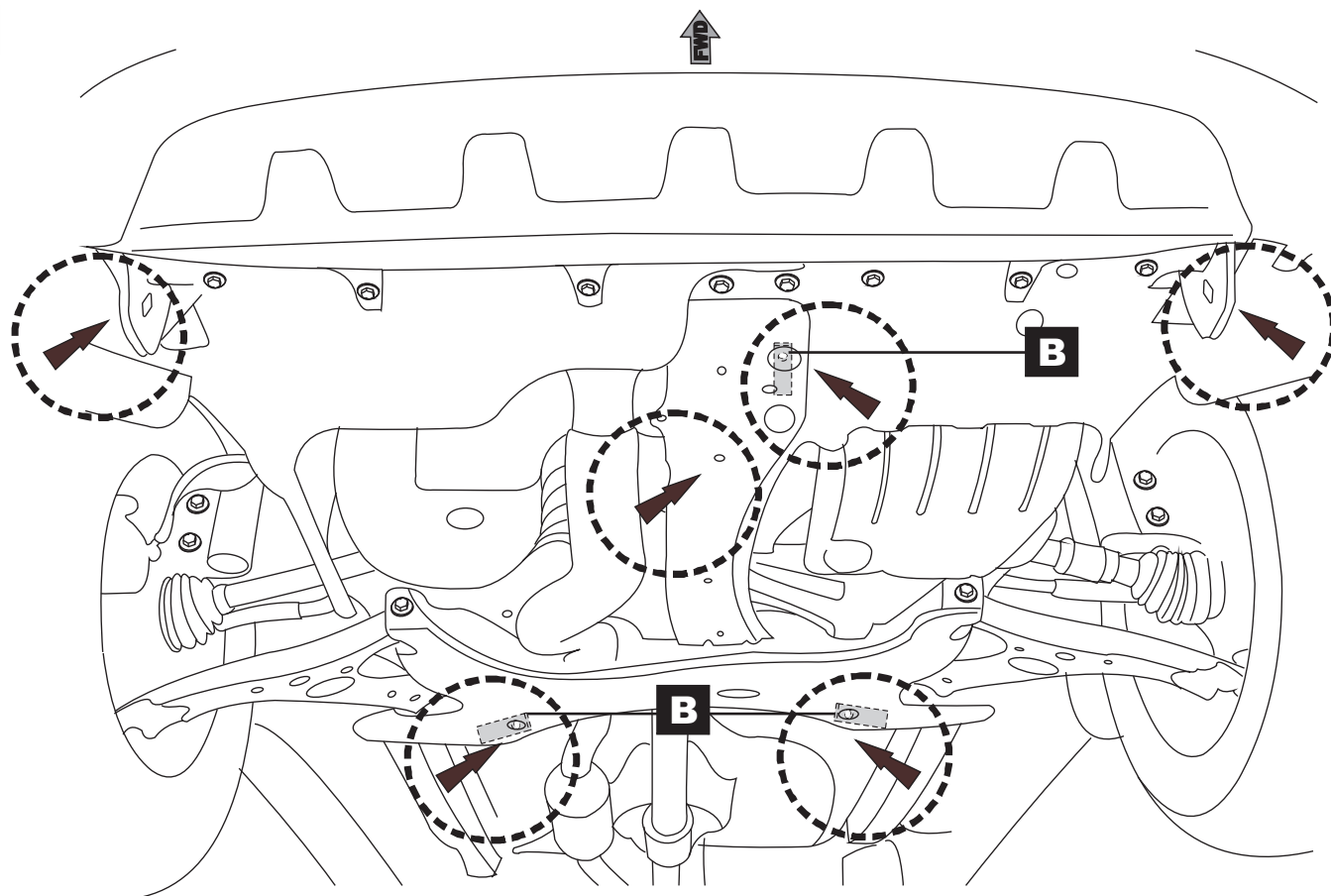
Manual reference number:

Page:
2/4

1



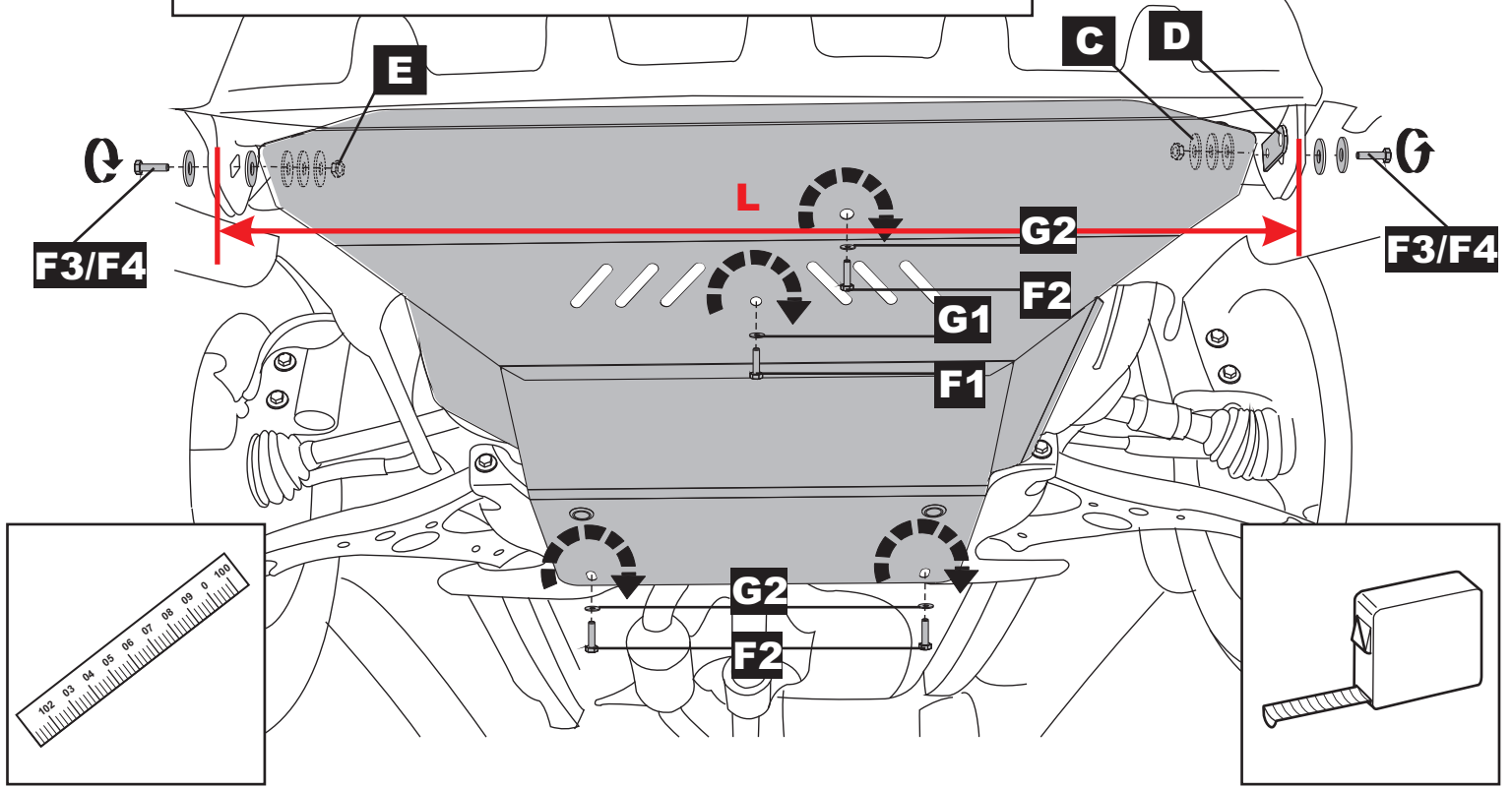
2



3

L= 990 mm →  M10x 50

L= 1035 mm →  M10x 70 +  x6 SD7001



4

