

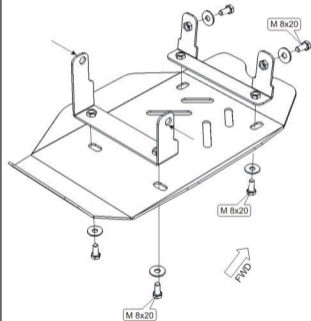
Suzuki Swift

Body:
VIN:-

Years.: 2005- ;

V: all

Type: 23.0992



1. Disassemble the skid plate to component parts.
2. Fix the front corbel to front parts of reduction gearbox fasteners.
3. Loosen rear upper bolts of the reduction gearbox fastener.
4. Mount rear corbel with OE bolts.
5. Fix the skid plate to mounted elements.
6. Tighten all screw joints.

