

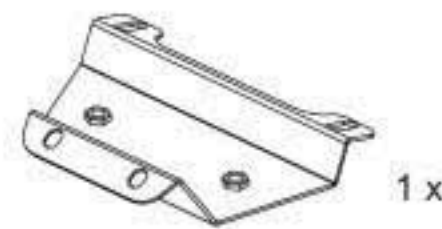
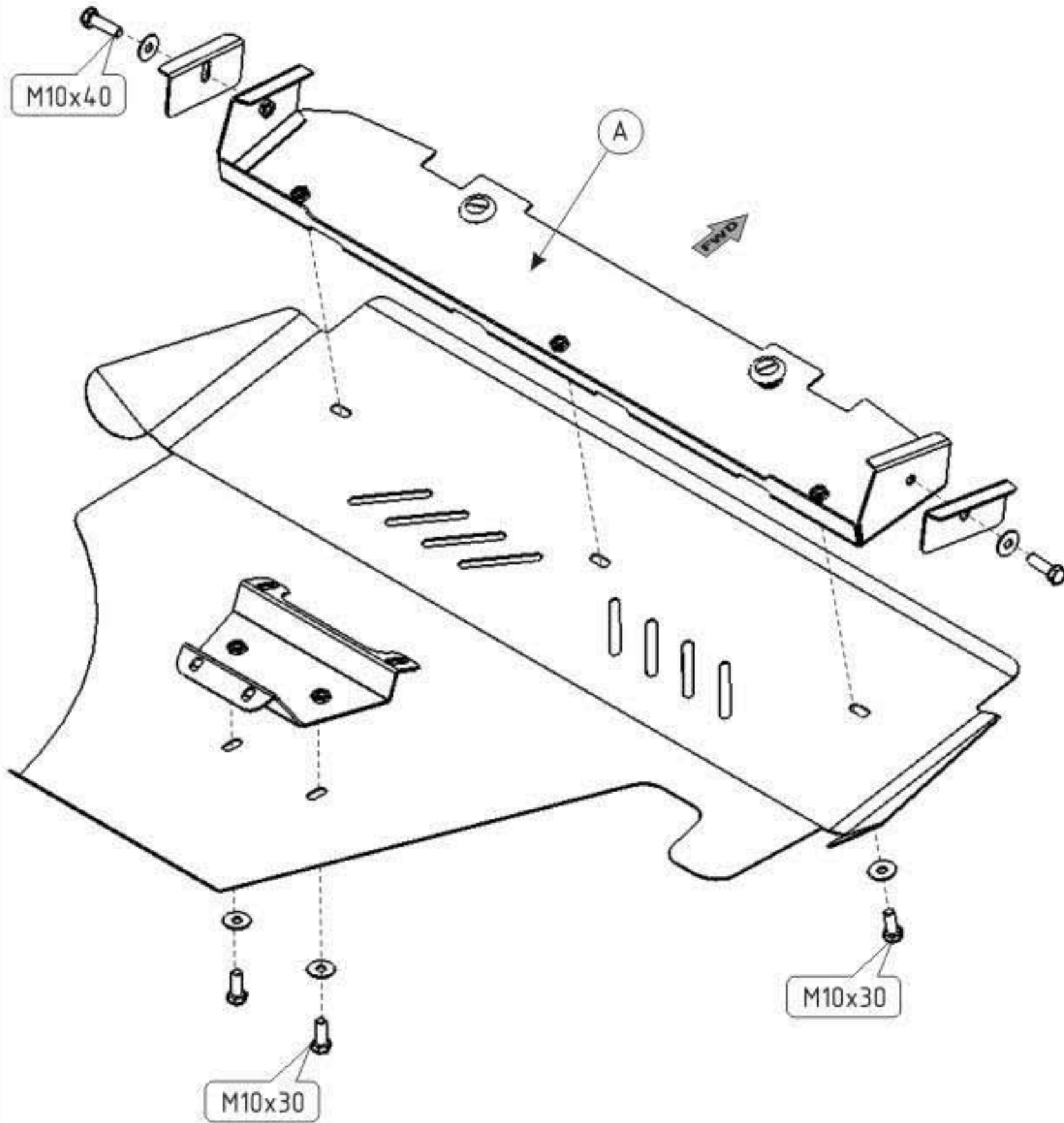
SUBARU IMPREZA

2008-

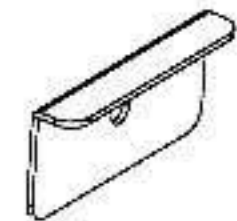
2.5; 1.5

Type: 22.1289 Steel

Type: 22.1272 Aluminium



1 x



2 x



5 x
2 x

M 10x30
M 10x40



7 x 10