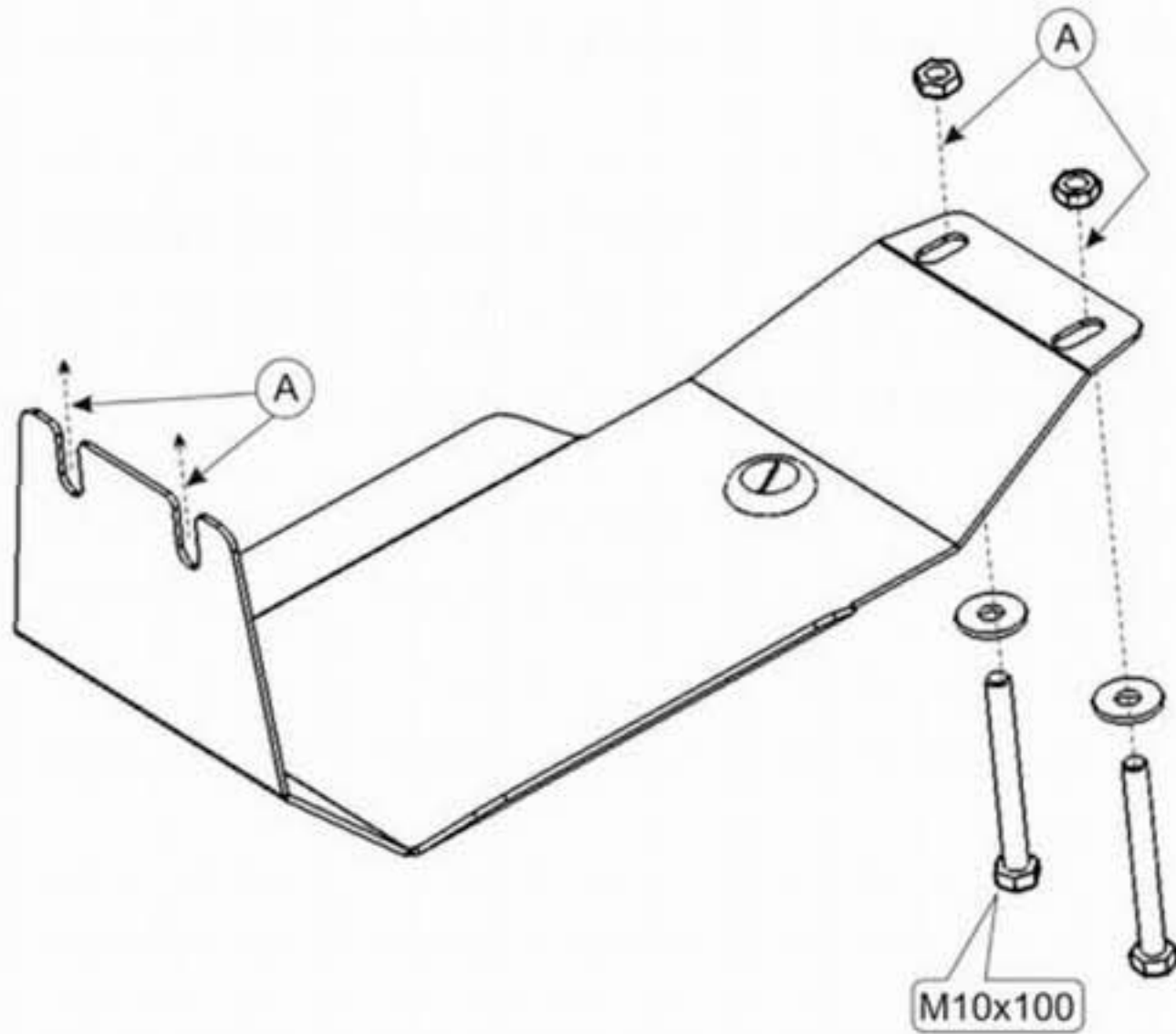


# Subaru Outback

2003-;

TYPE :22.569



2 x M 10x100



2 x 10



2 x M10