

Engine bay and transmission elements skid plate has been designed and manufactured by LLC Metalloproduksia. Product conforms to TOR 4591-001-25888788-2006 requirements. Product design is protected by model copyright certificates №89059, 15980, 15981, 15982, 15983. Patented in Russian Federation.

### APPLICATION:

Protection of engine bay and transmission elements from mechanical deformation.  
Protection of engine bay and transmission elements from dust and damp.

### INSTALLATION:

Engine bay and transmission elements skid plate has been designed particularly for a certain vehicle. It should be mounted according to the producer's installation instruction by a dedicated dealer or on certified service stations. The skid plate is fixed to regular apertures located on vehicle's body load-bearing elements. In case of correct installation the skid plate should not interfere with any vehicle's units and components.

### INSTALLATION MANUAL:

1. Remove hatch covers located on the front bumper which hide flanges of the bumper fasteners. Disassemble the skid plate to component parts.
2. Unscrew bolt of the bumper fastener and fix corbel on its place. Do the same with the other bumper's fastener.
3. Fix the skid plate's beam to installed corbels with bolts M 10x40 like it is shown on the scheme.
4. At that the beam's upper endings should be set against longerons
5. Fix the front part of the skid plate to installed beam with bolts M 10x40 .
6. Shift the skid plate backwards and fix its rear part to the front axle beam with bolts M 10x80 and nuts.
7. Tighten all screw joints.

### OPERATING CONDITIONS:

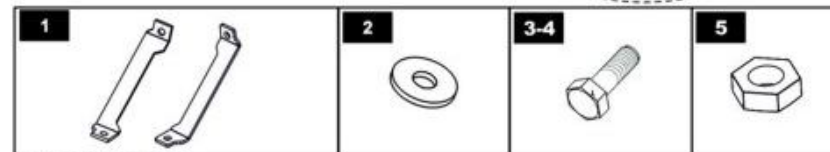
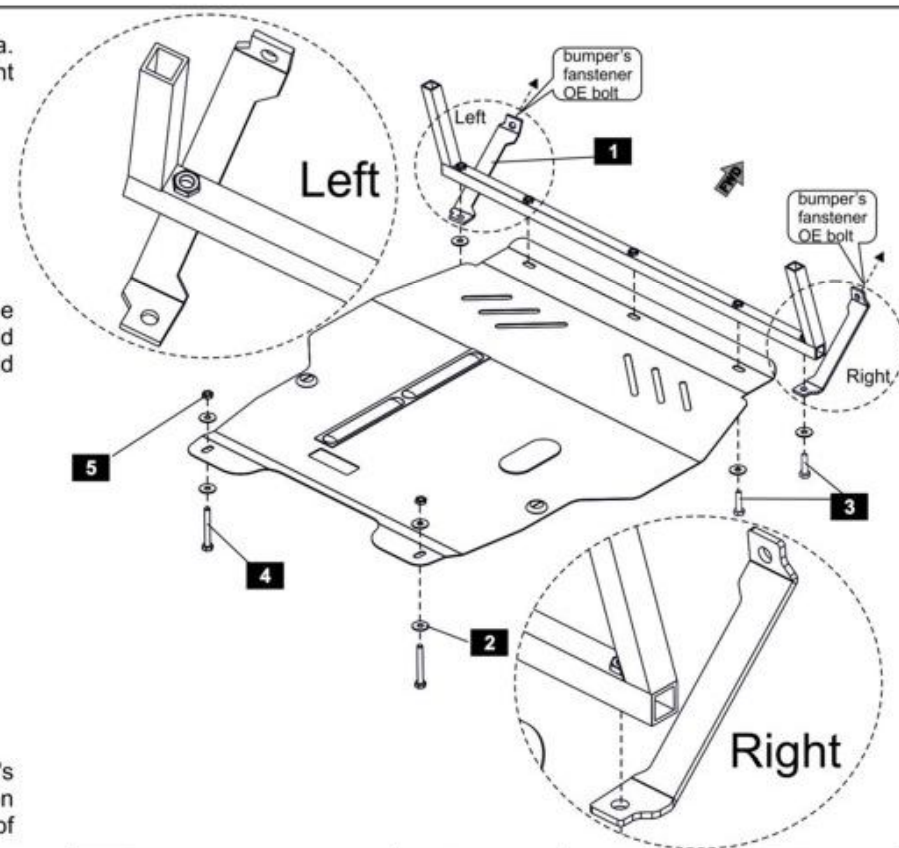
Engine bay and transmission elements skid plate has been designed to operate in conditions specified by vehicle's producer. Cases of crush or driving into obstacles at a speed should be excluded during exploitation. In case of head-on crush it is necessary to assure in absence of damages of vehicle's components and units and availability of roadworthiness on certified service stations.

### WARRANTY:

Warranty period - 1 year.

### WARRANTY TERMS:

The skid plate should be installed on a vehicle with undamaged body and load-bearing elements (vehicle, which has never been involved in road traffic accident);  
There are no mechanical damages of the skid plate resulting from head-on crush. All requirements to skid plate installation should be satisfied;  
There are no mechanical damages of powder coating.  
Producer does not bear liability for damages caused to the vehicle, health and life of people in case of installation and exploitation terms violation. Producer has a right to introduce changes into the skid plate construction.



### LIST OF PARTS

NO.	NAME	QTY.	NO.	NAME	QTY.
1	Corbel	2	5	Nut M10	2
2	Washer 10	9	6		
3	Bolt M 10x40	5	7		
4	Bolt M 10x80	2	8		
	Thread	M6x1.0	M8x1.25	M10x1.5	M12x1.75
	Tightening torque	9.8 Nm	24.0 Nm	47.0 Nm	81.0 Nm