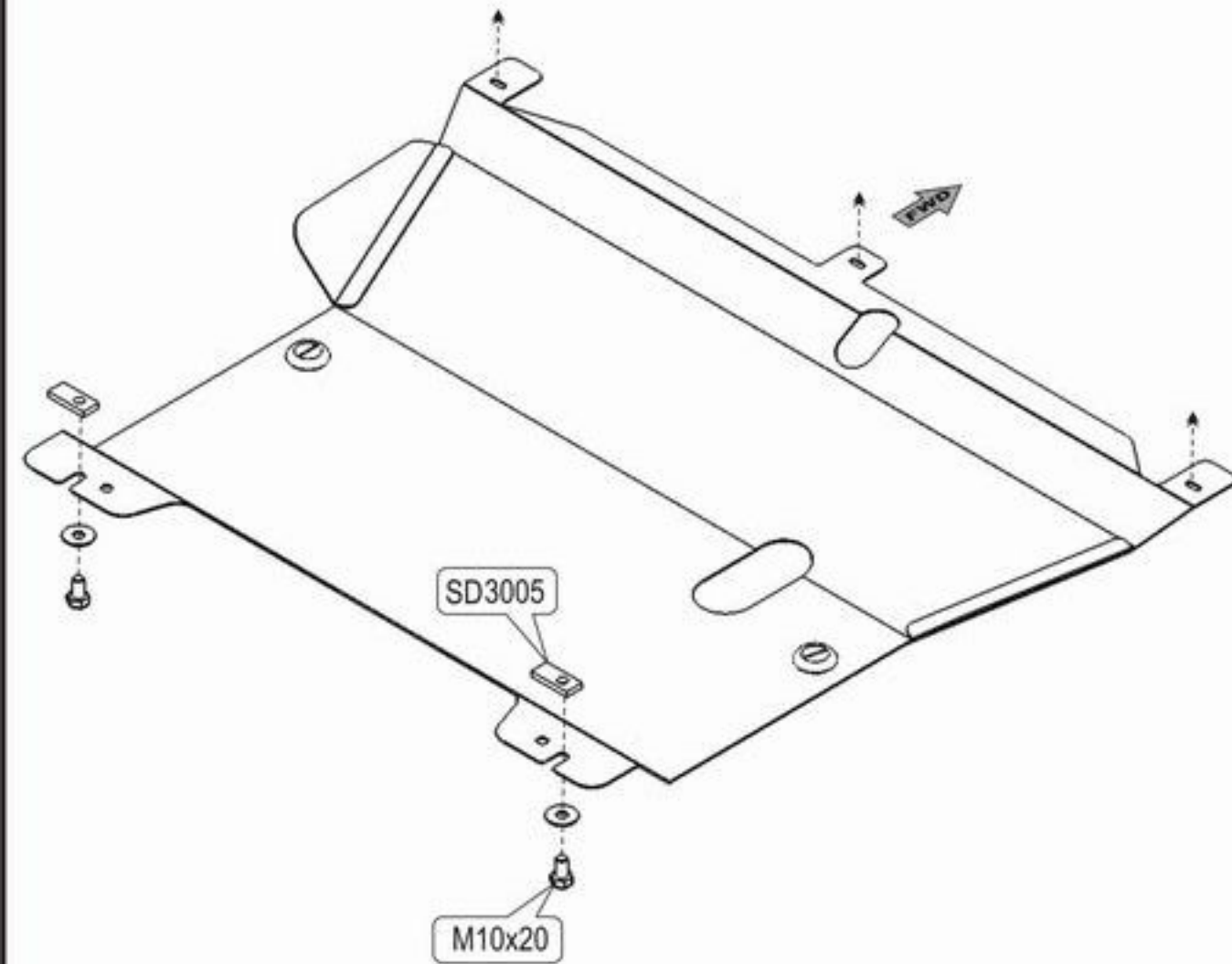


Peugeot 107

Body: Years.: 2007-; V: 1.0
VIN:- AT case Type: 17.1231



1. Disassemble the skid plate to component parts.
2. Unscrew three OE bolts fastening OE duster from engine bay side.
3. Fix threaded inserts to the OE front axle beam lugs with bolts.
4. Fix the rear part of skid plate to already mounted bolts and fasten with OE bolts in front.
5. Tighten all screw joints.

