

**PART NUMBER**

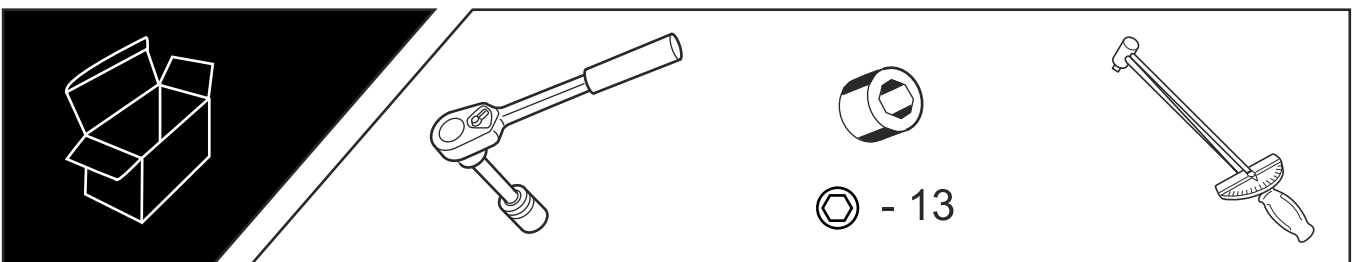
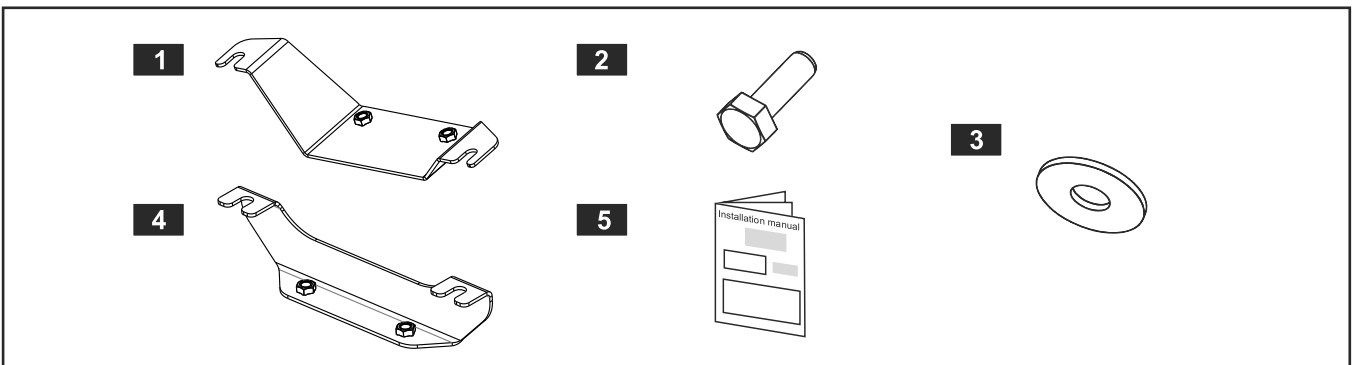
**15.2830 / 15.2831**

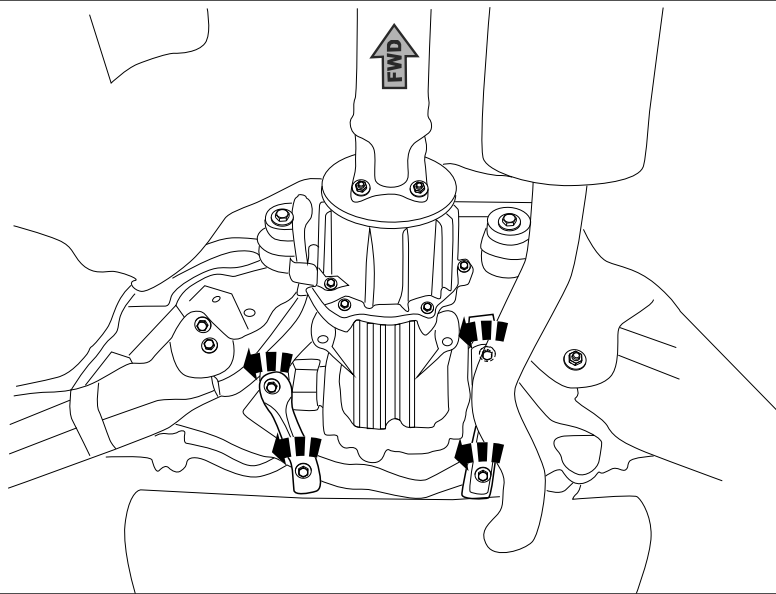
**GB REDUCTION GEARBOX UNDERSHIELD**



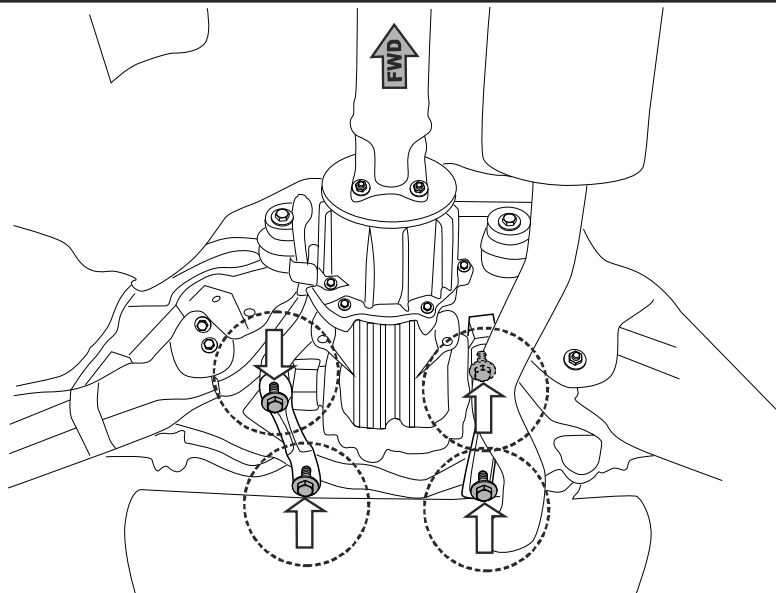
**GB LIST OF PARTS**

<b>NO.</b>	<b>PART NAME</b>	<b>QTY.</b>
<b>1</b>	Front beam	1
<b>2</b>	Bolt M8x20	4
<b>3</b>	Washer 8	4
<b>4</b>	Rear beam	1
<b>5</b>	Installation manual	1

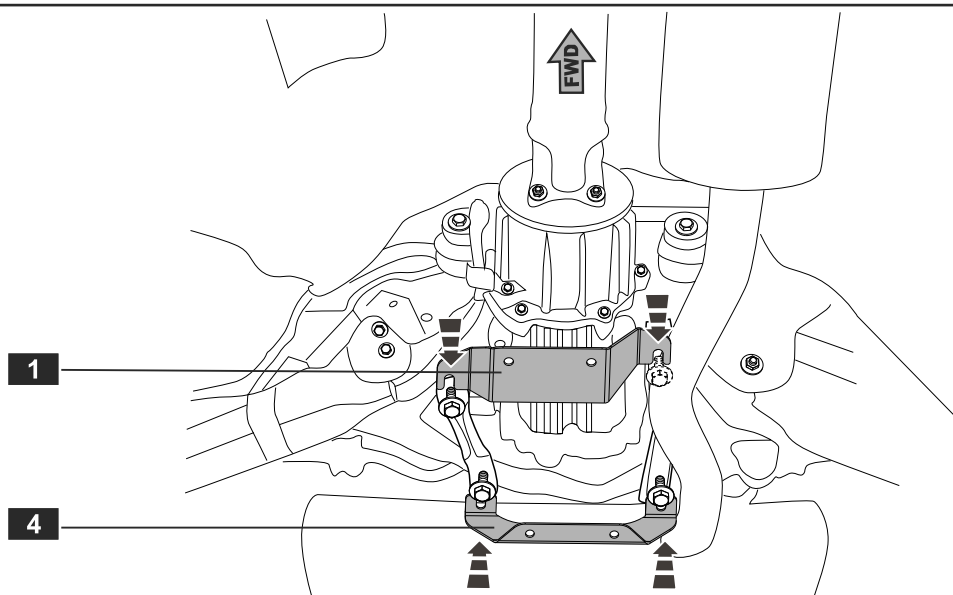




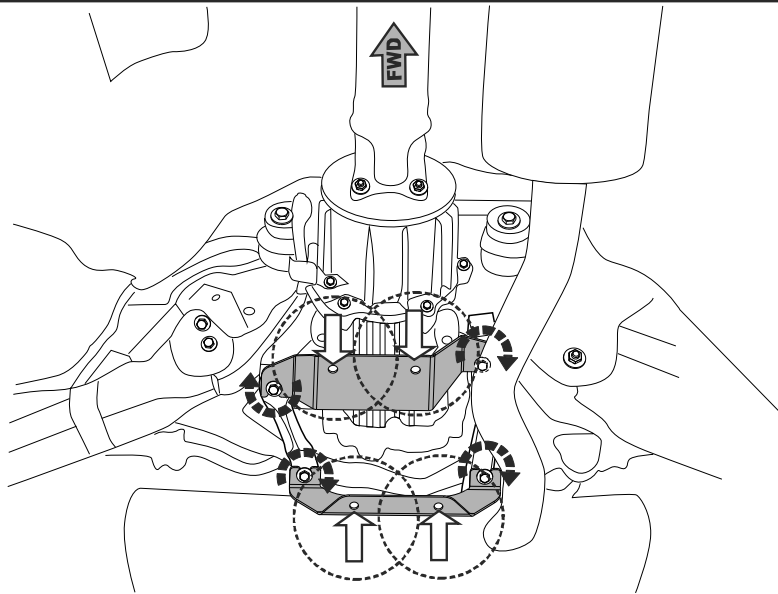
**Fig.1**



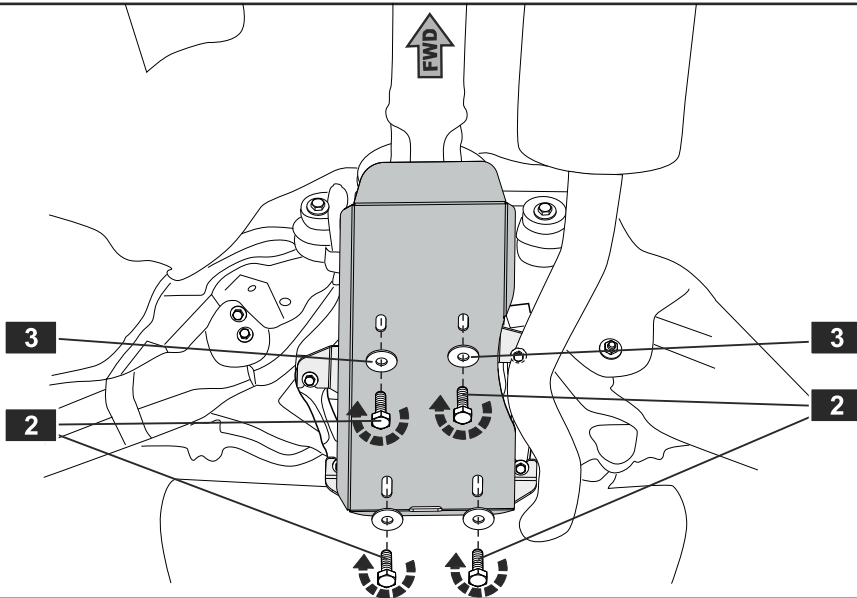
**Fig.2**



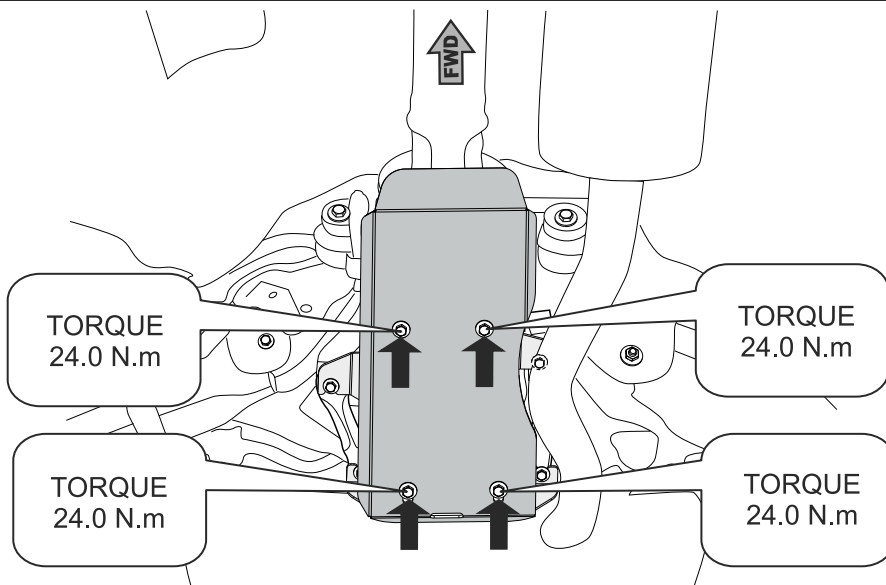
**Fig.3**



**Fig.4**



**Fig.5**



**Fig.6**