

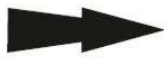


NISSAN Juke, 2011 ➔

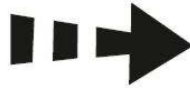
15.2040/15.2041

24/06/11

1/6



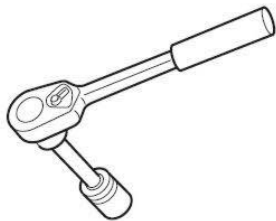
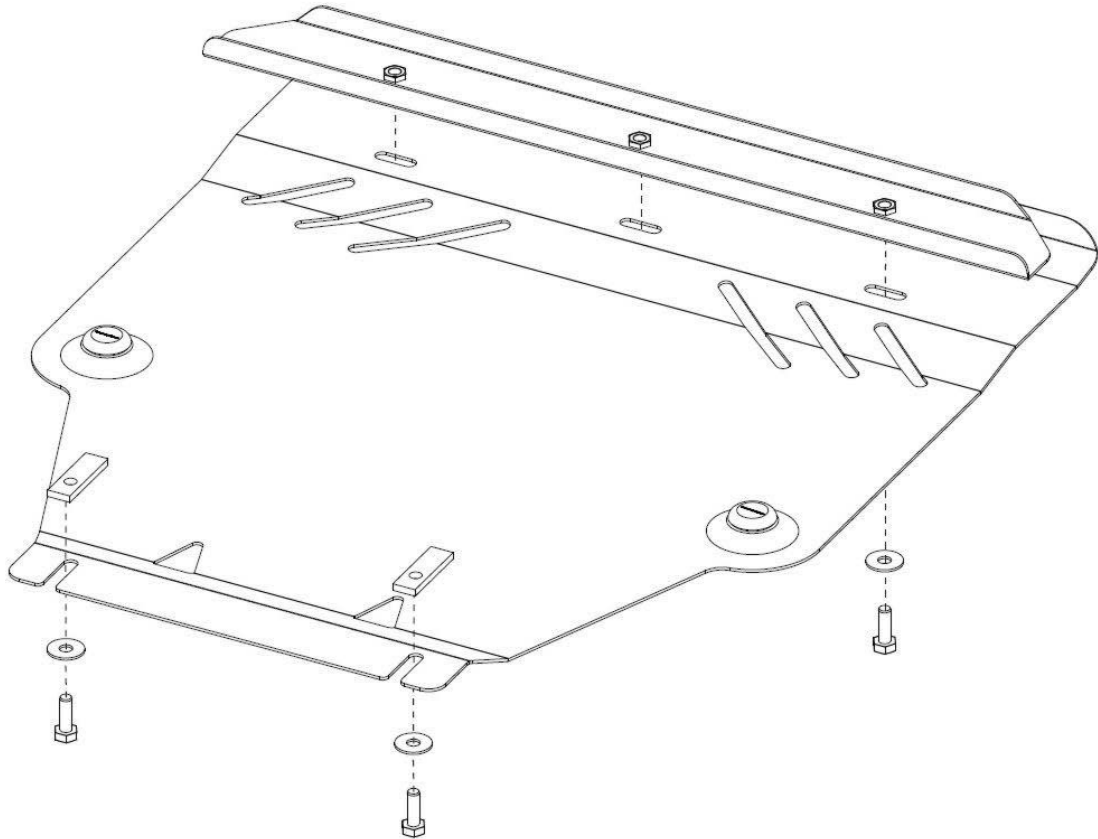
Ⓜ Location/Position Arrow



Ⓜ Movement Arrow



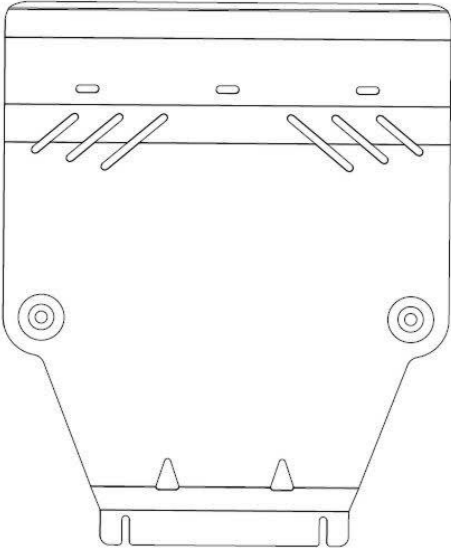
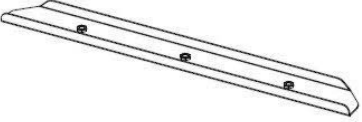
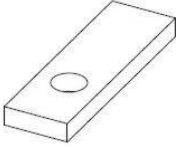
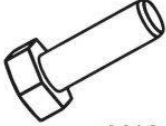

Ⓜ Screw Arrow

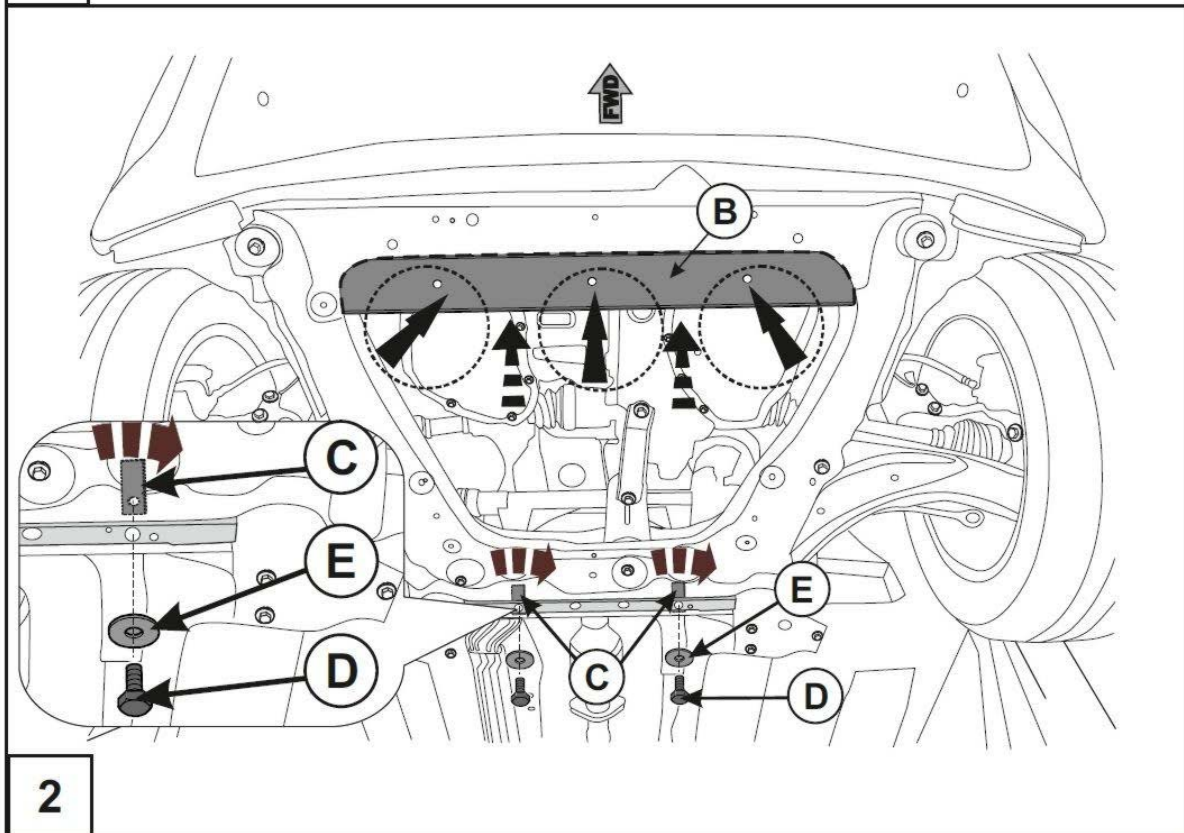
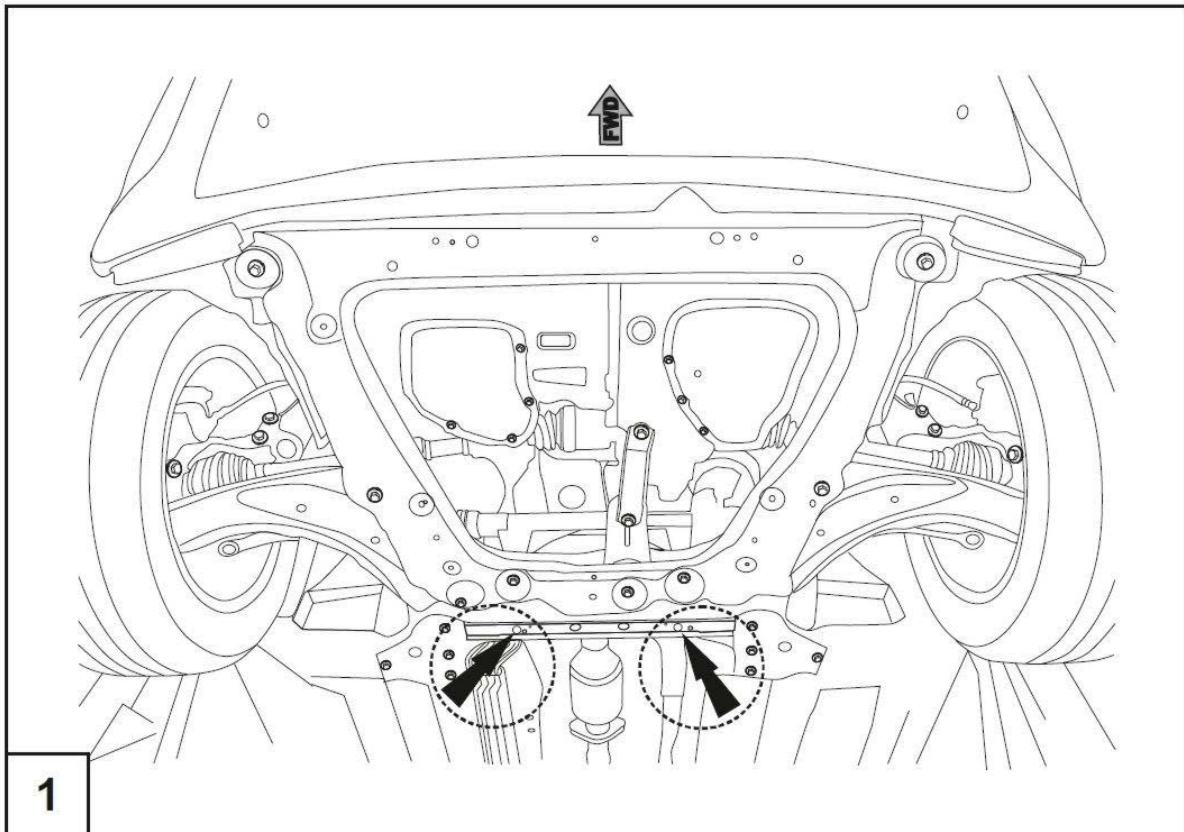


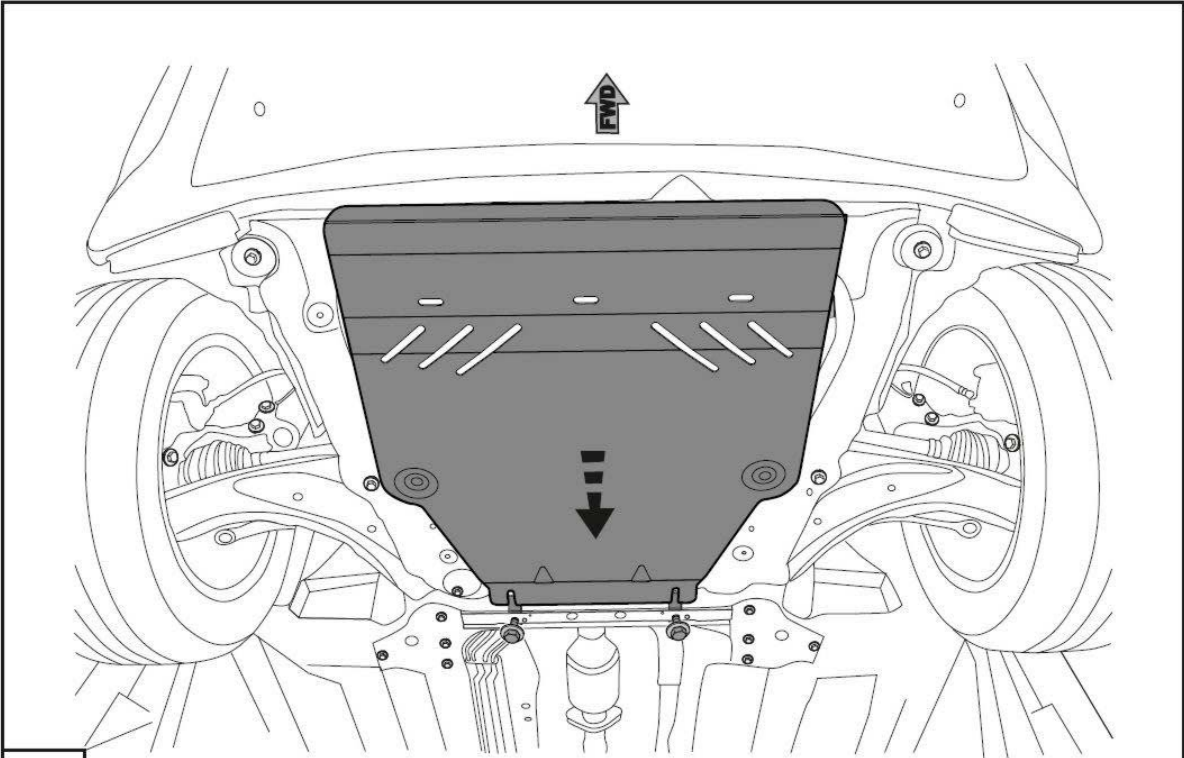
15.2040/15.2041

24/06/11

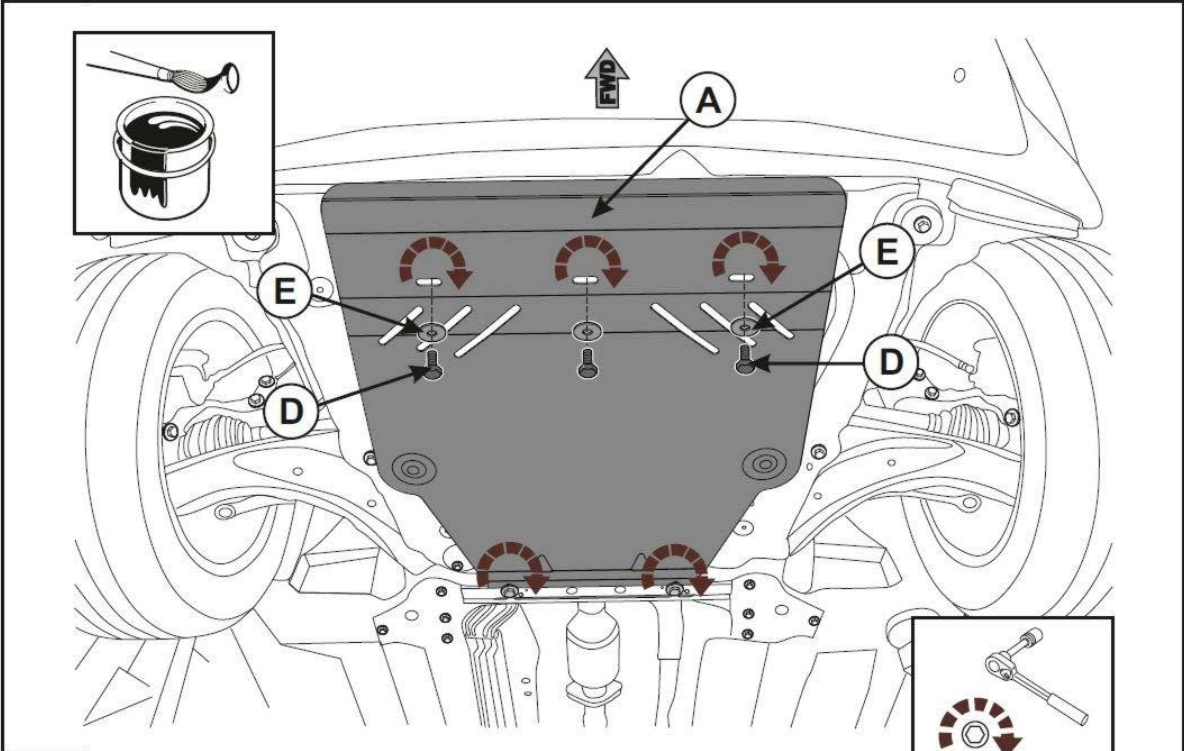
2/6

<p>A</p>	 <p style="text-align: right;">1X</p>			
<p>B</p>	<p>C</p>	 <p style="text-align: right;">1X</p>		
<p>D</p>	<p>E</p>	 <p style="text-align: right;">2X</p>		
 <p>M10x30</p> <p style="text-align: right;">5X</p>	 <p>Ø 10</p> <p style="text-align: right;">5X</p>			
	<p>15.2040/15.2041</p>		<p>24/06/11</p>	<p>3/6</p>



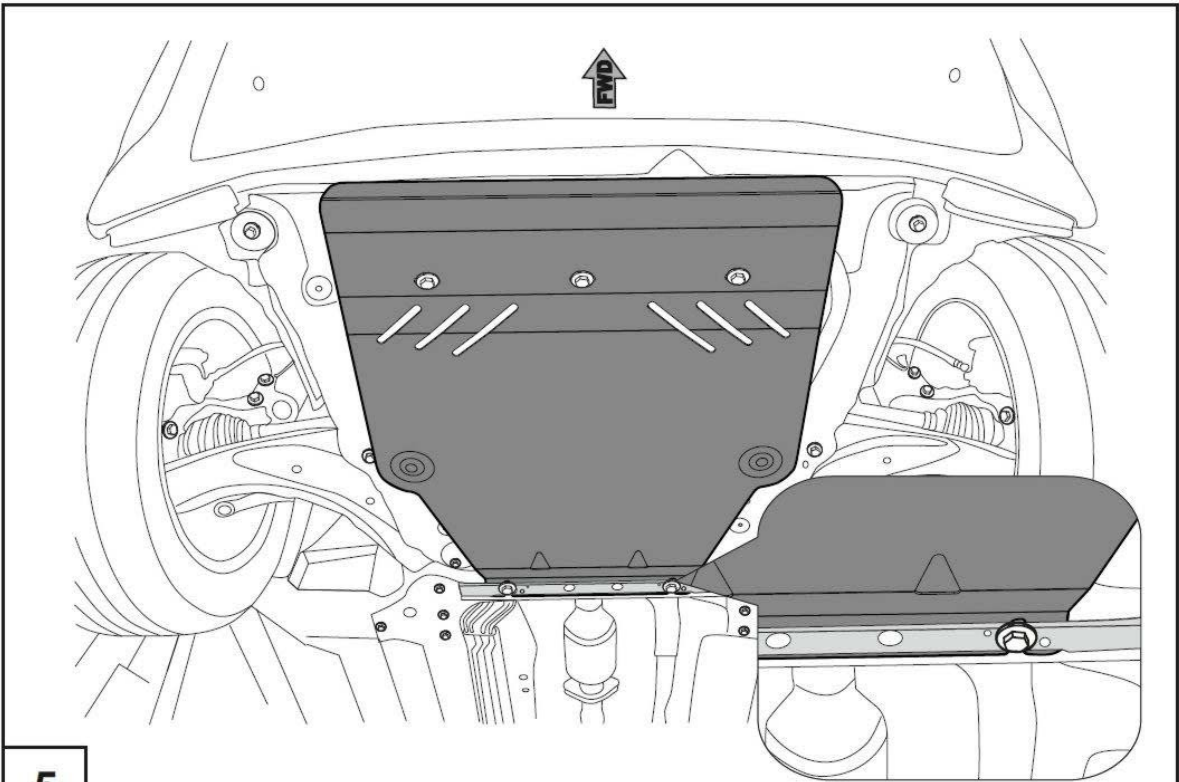


3



4

M10 = 47 Nm



5