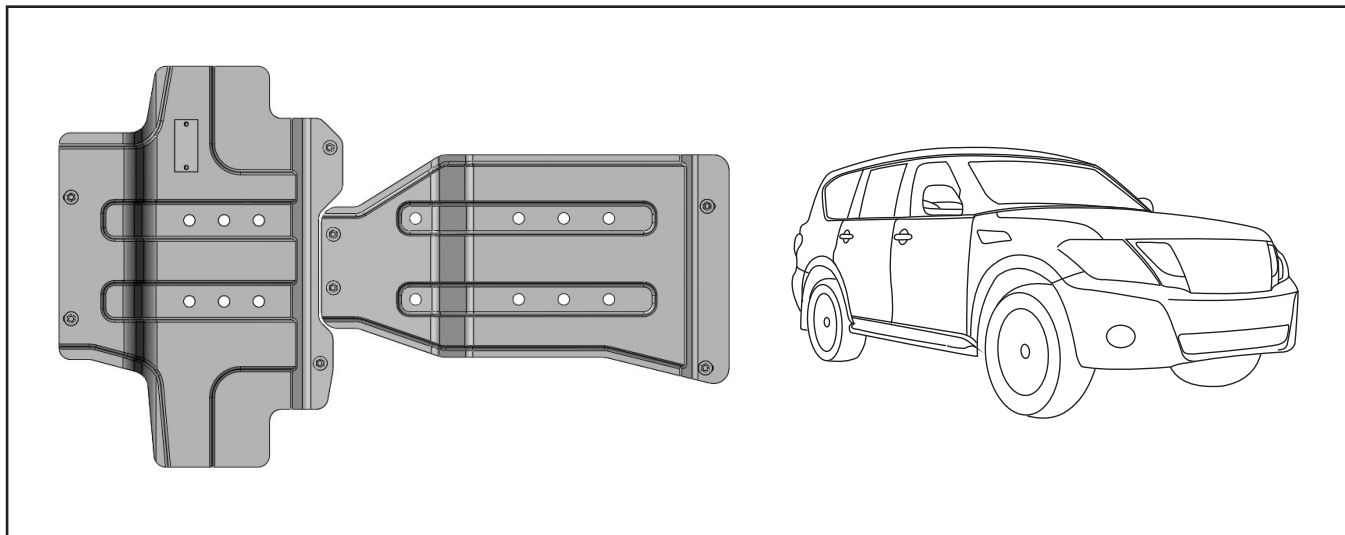


PART NUMBER

15.1750 / 15.1751

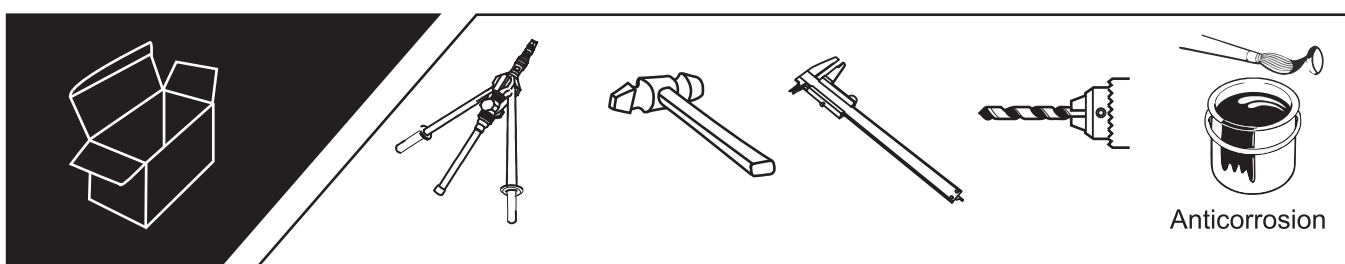
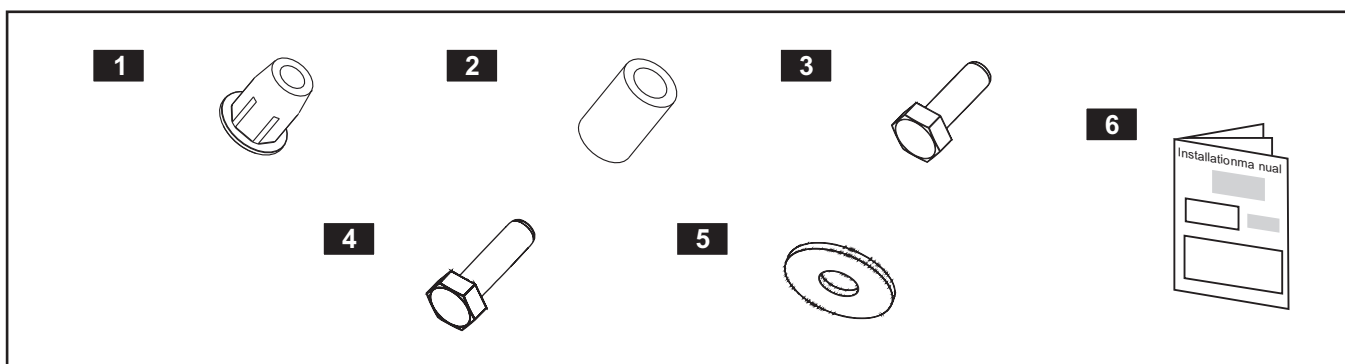
Patrol, QX56 03/2010
NISSAN INTERNATIONAL S.A.

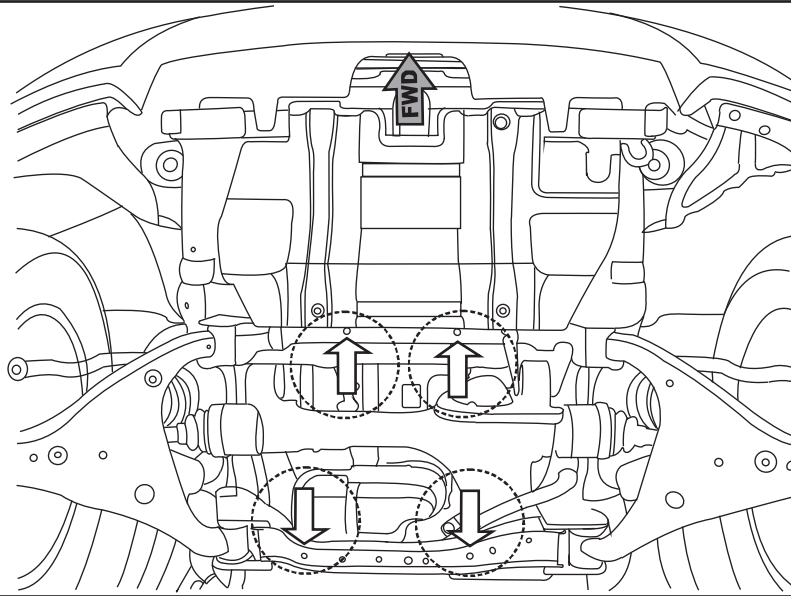
(GB) Under body protector



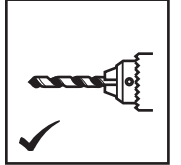
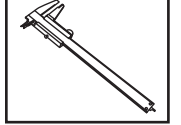
(GB) LIST OF PARTS

NO.	PART NAME	QTY.
1	Rivet nut M8	8
2	Bushing	4
3	Bolt M 8x30	4
4	Bolt M 8x50	4
5	Washer	8
6	Installation manual	1



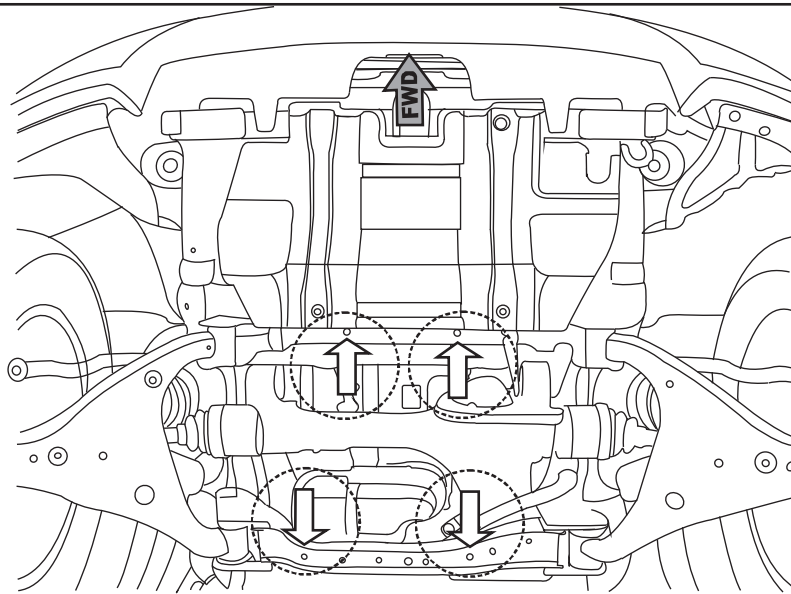


$\varnothing < 12,2\text{mm}$

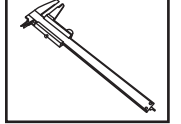


Anticorrosion

Fig. 1

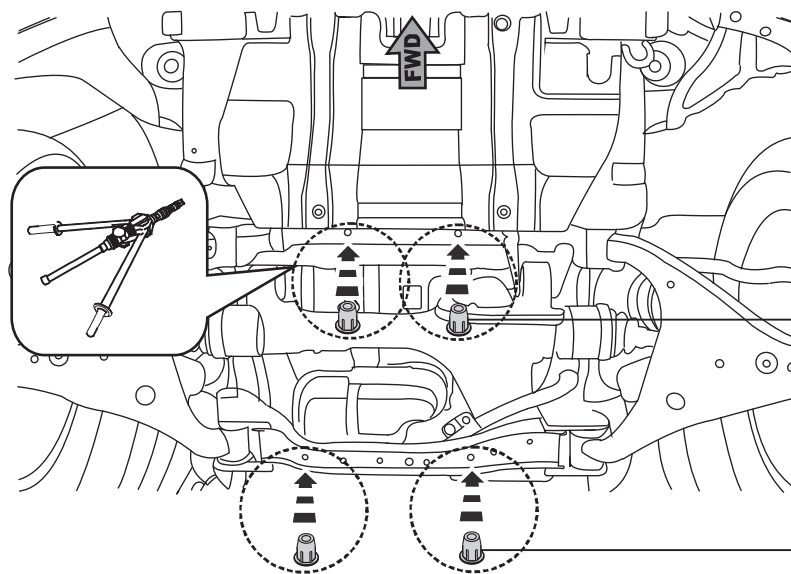


$\varnothing \geq 12,2\text{mm}$



Anticorrosion

Fig. 2



1

1

Fig. 3

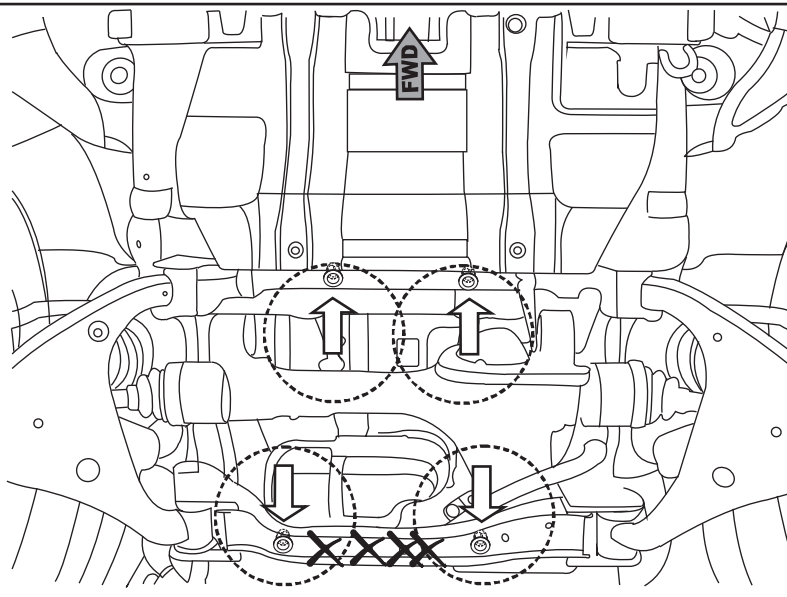


Fig.4

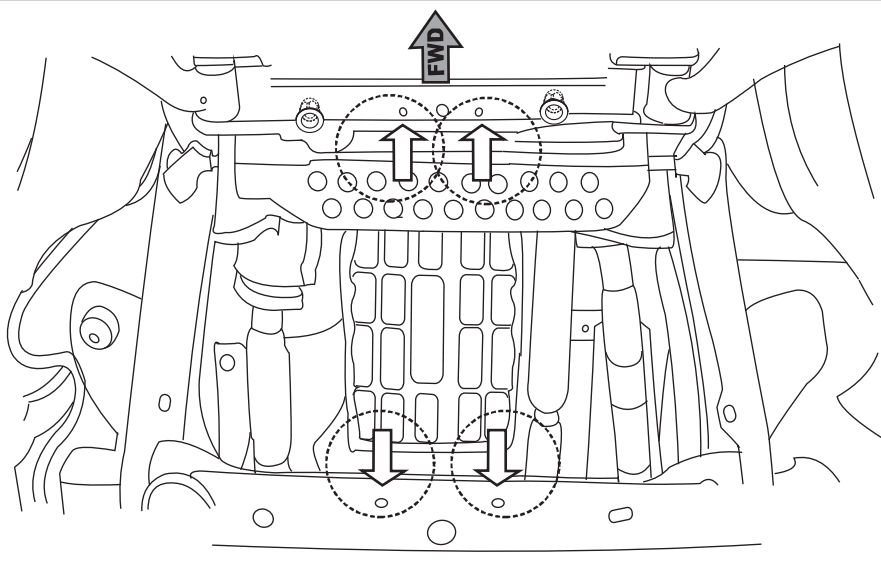


Fig.5

- $\text{Ø} < 12,2\text{mm}$
-
- Anticorrosion

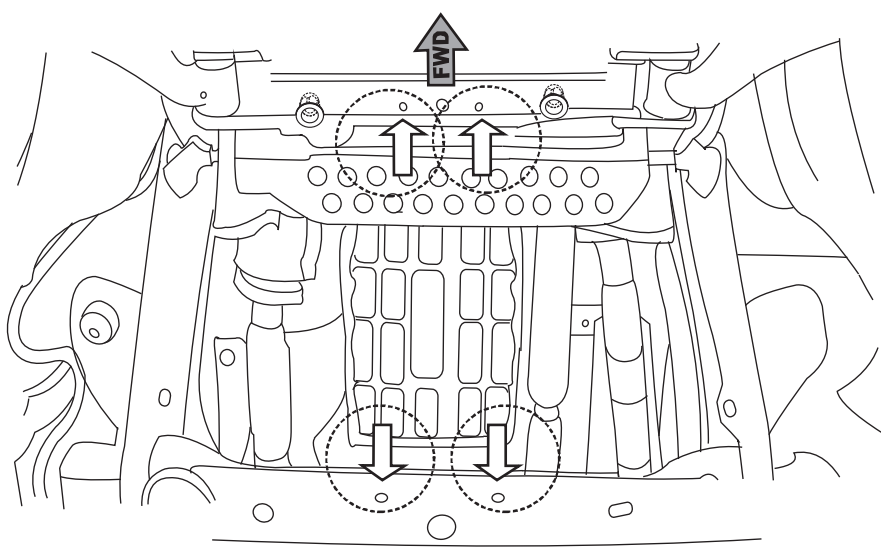
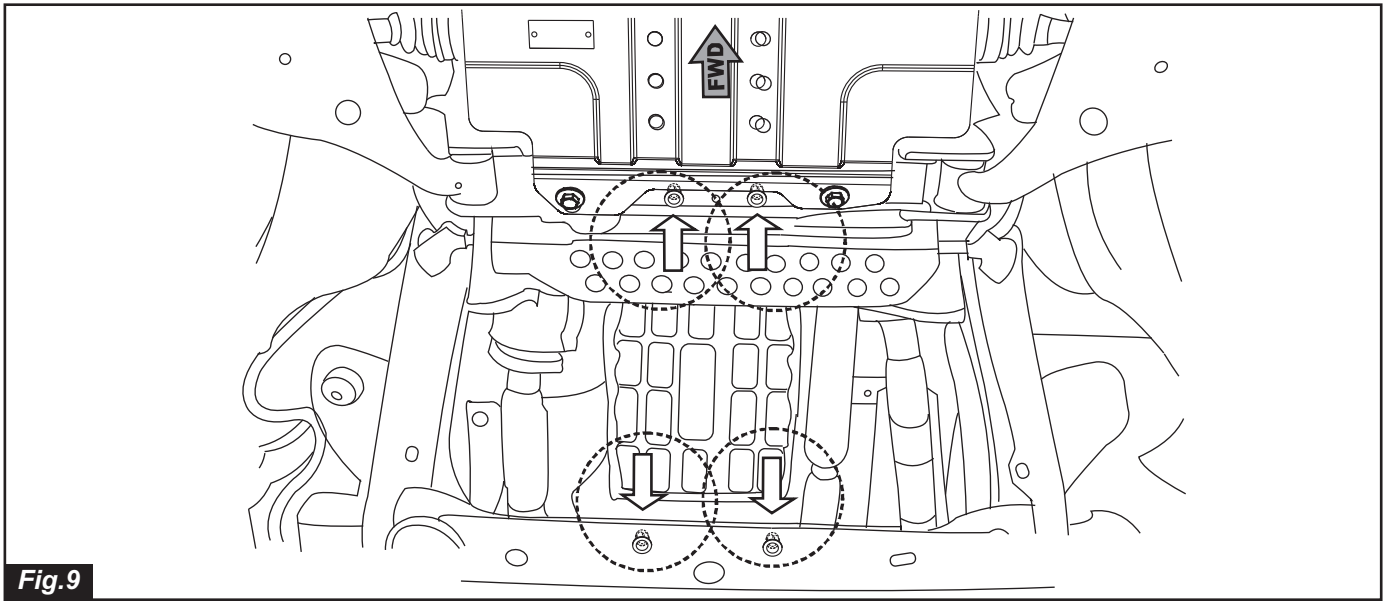
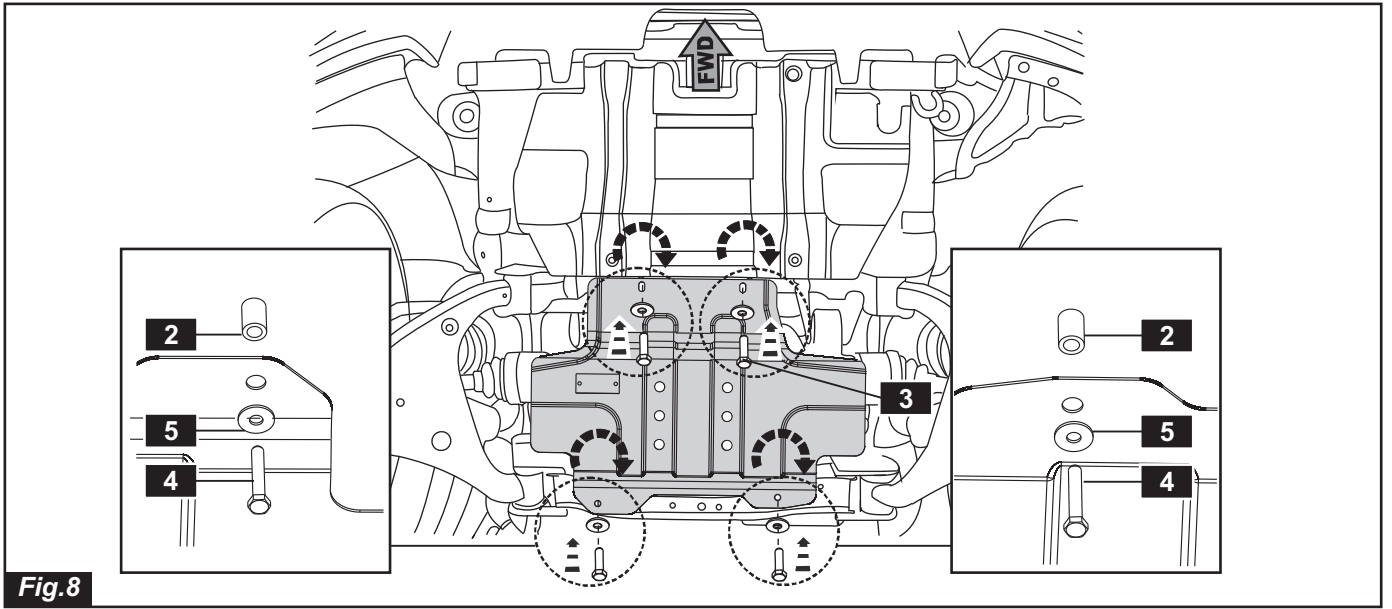
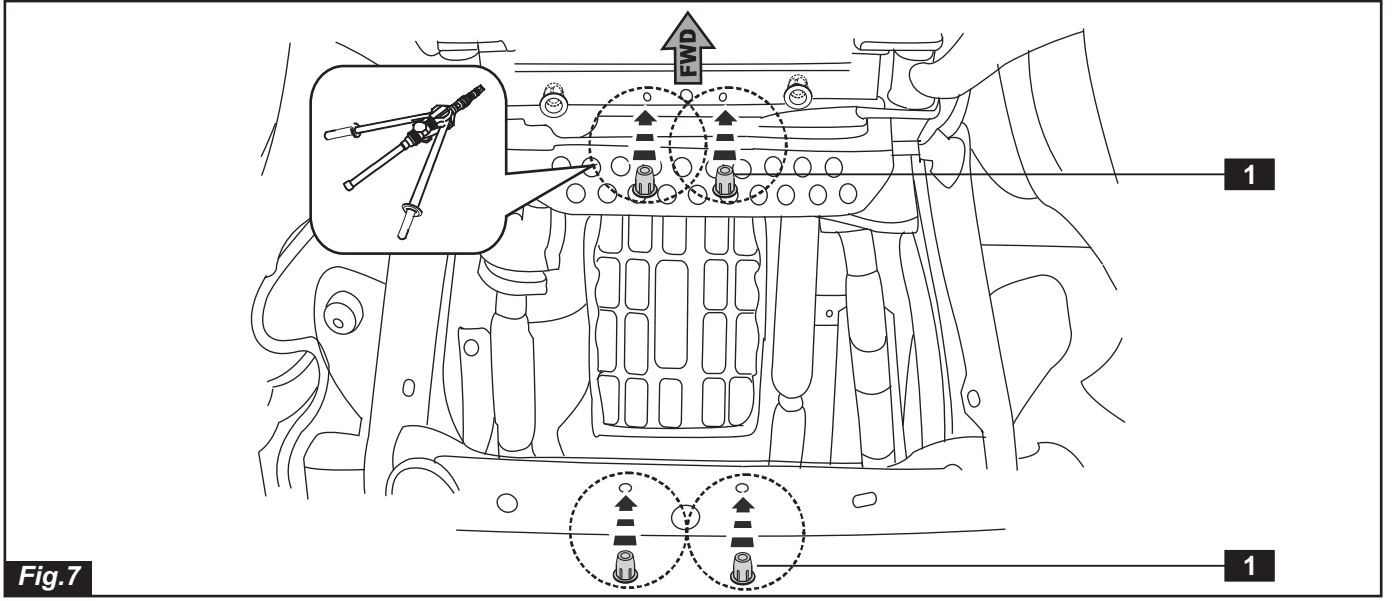


Fig.6

- $\text{Ø} \geq 12,2\text{mm}$
- Anticorrosion



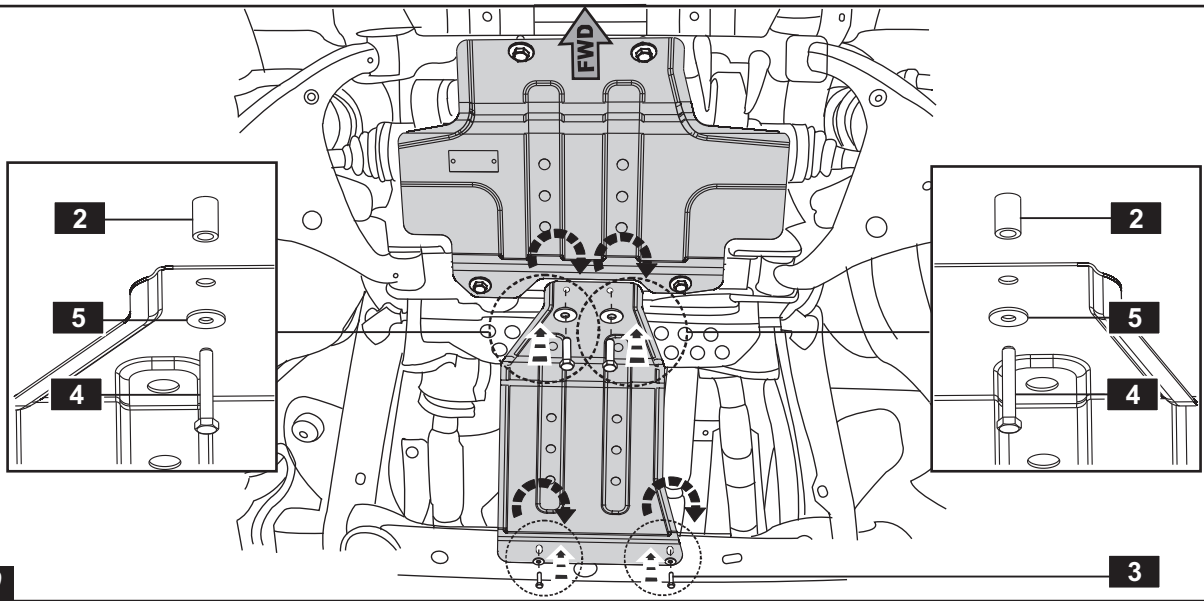


Fig.10

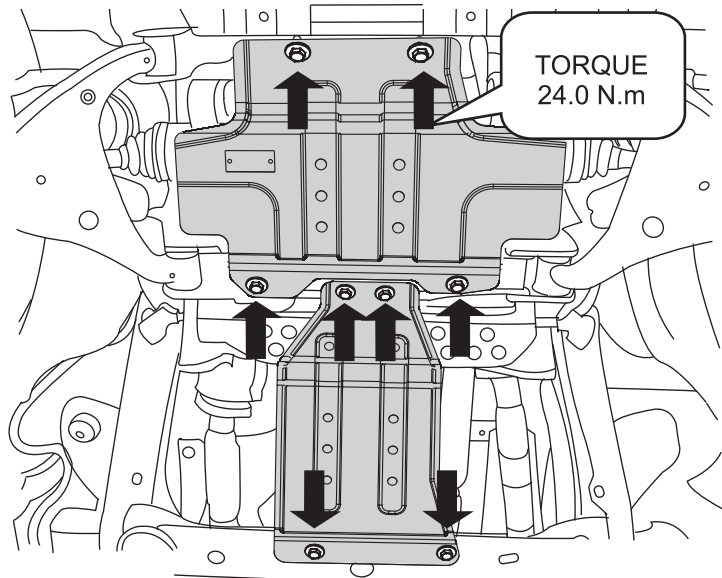


Fig.11