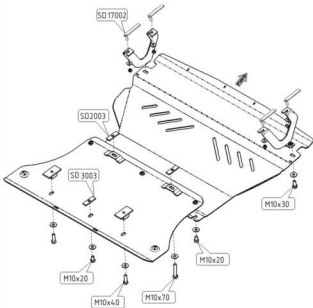


NISSAN INFINITI FX45

2003-

Type 15 1038 Steel
 Type 15 0917 Aluminium
 Type 15 1049 Stainless steel



2 x



4 x M 10x20
 2 x M 10x30
 2 x M 10x40
 2 x M 10x70



4 x 8
 10 x 10



4 x MB



2 x



4 x

-SD 17002



1 x

-SD 3003



2 x

-SD2003