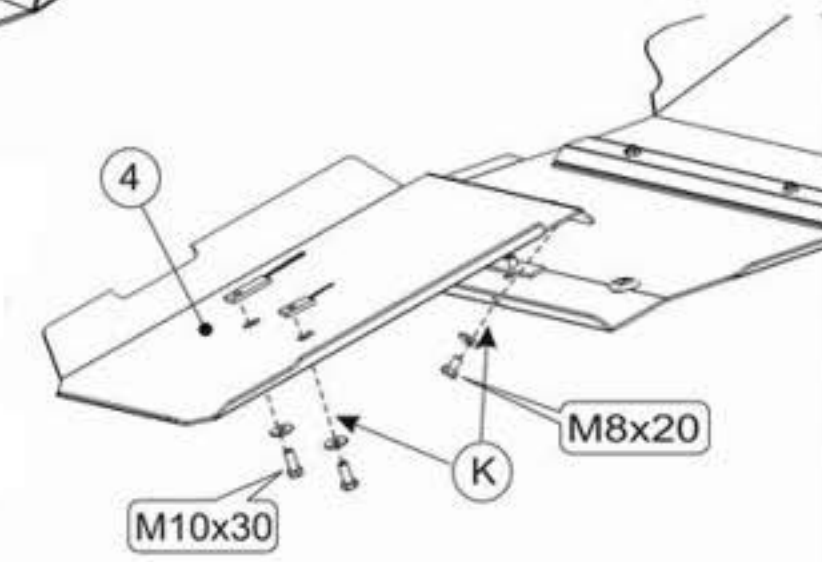
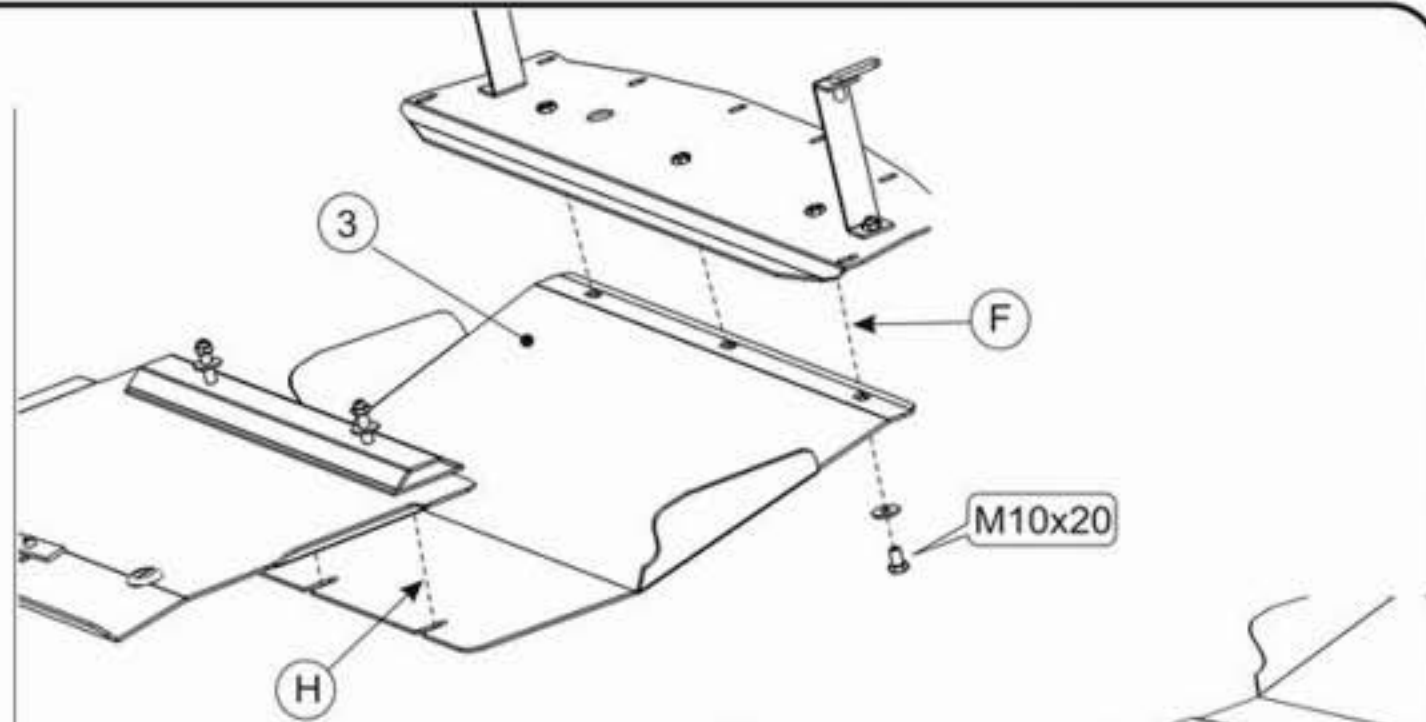
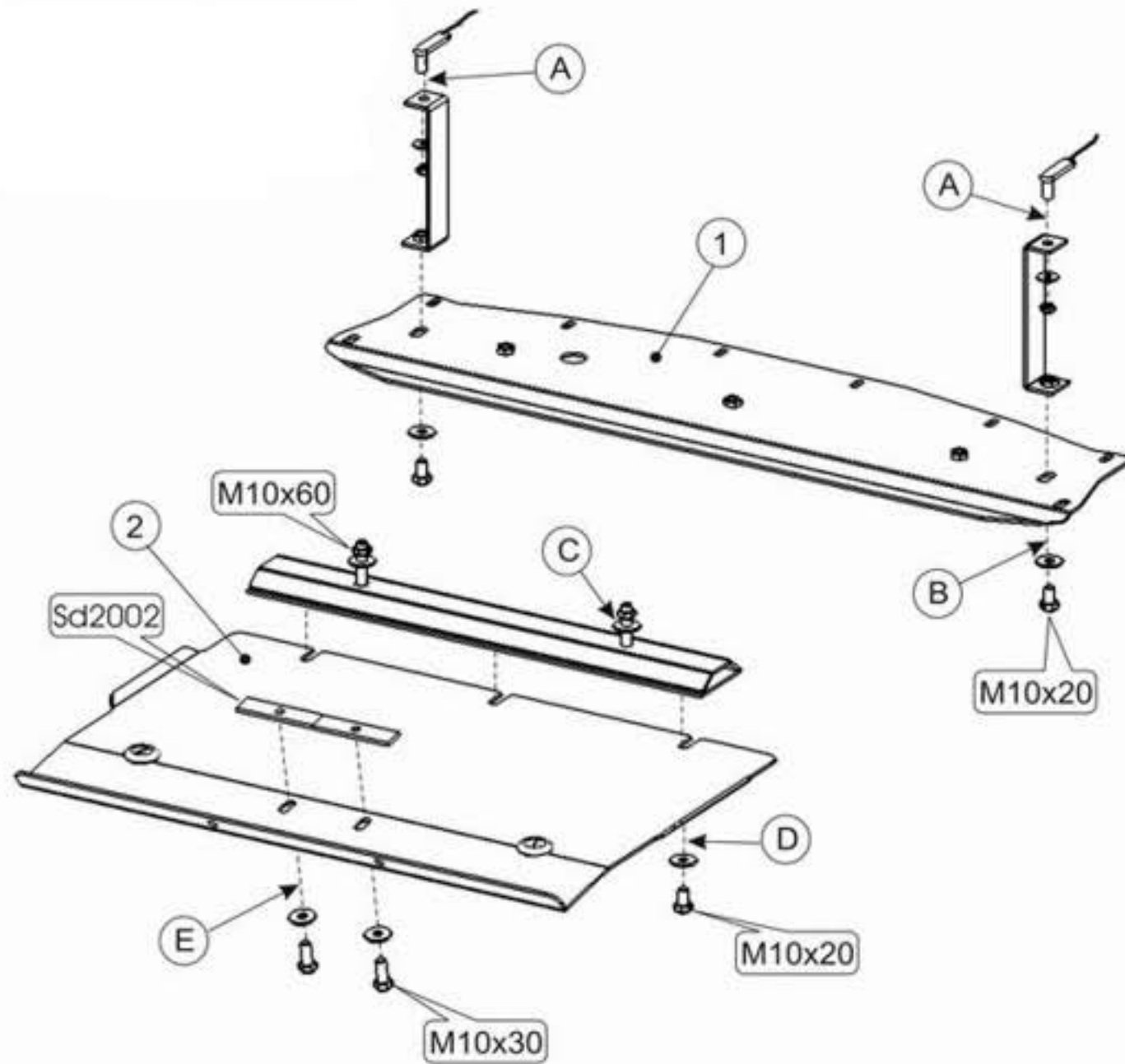
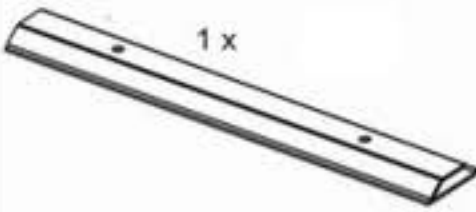
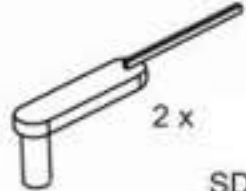







# Infiniti FX45

Year: 2003 -

15.0651



- |   |      |                   |    |  |  |
|---|------|-------------------|----|--|--|
|  | 1 x  |                   |    |  |  |
|  | 2 x  | SD17001           |    |  |  |
|  | 2 x  |                   |    |  |  |
|  | 8 x  | M 10x20           |    |  |  |
|   | 4 x  | M 10x30           |    |  |  |
|   | 2 x  | M 10x60           |    |  |  |
|  | 2 x  | M8                |    |  |  |
|   | 2 x  | M10               |    |  |  |
|  | 2 x  |                   | 8  |  |  |
|   | 18 x |                   | 10 |  |  |
|  | 1 x  | 45x20x15 -SD3002  |    |  |  |
|   | 1 x  | 65x20x20 -SD3003  |    |  |  |
|   | 2 x  | 100x25x50 -SD2002 |    |  |  |