

# NISSAN Patrol GR

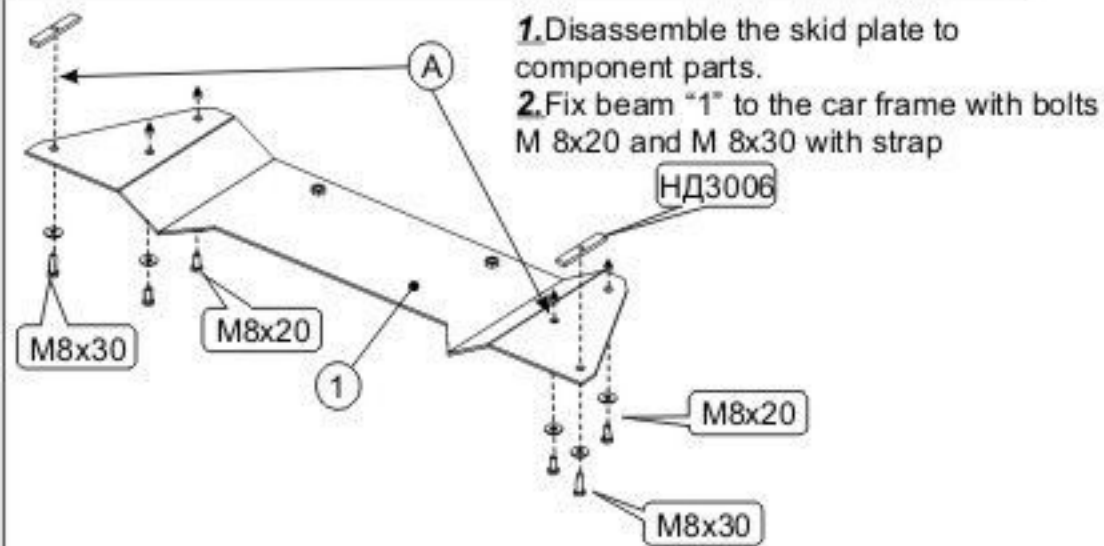
Body:

Years.:1998-;

V: 3,0;

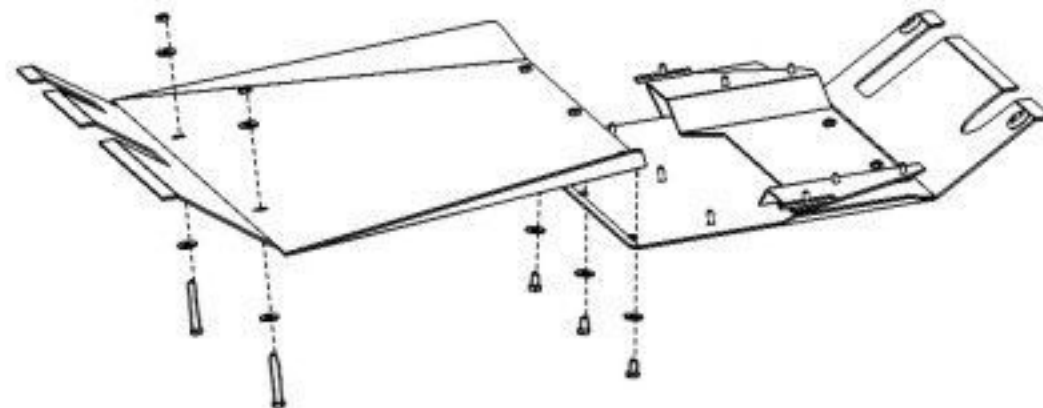
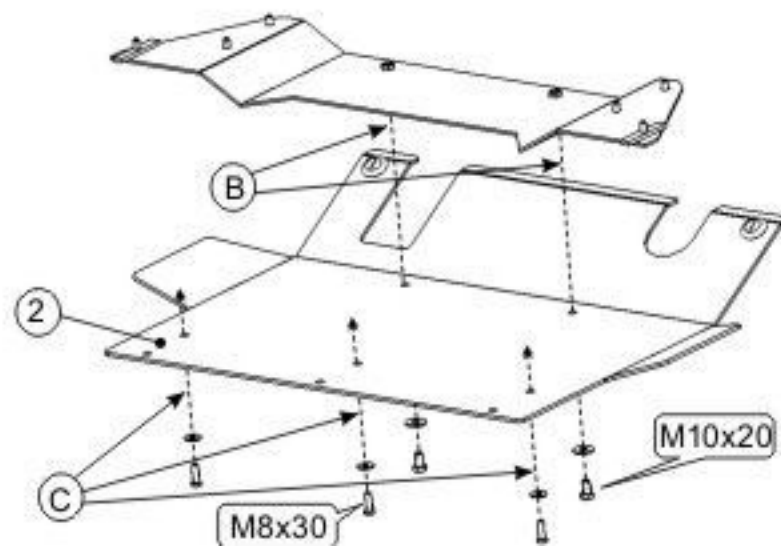
VIN:-JN1TESY61U00000

Steel - TYPE :15.529



**3.** Fix the front part of the element "2" to already mounted beam with bolts M 10x20.

**4.** Fix the rear part of the element "2" the crossbar apertures with bolts M 8x30



**5.** Joint the front part of the element "3" with element "2" using fastening slat and bolts M 10x20.

**6.** Fix the rear part of the element "3" to the cross tube of the car frame with bolts M 10x90 and nuts.

**7.** Tighten all screw joints.

