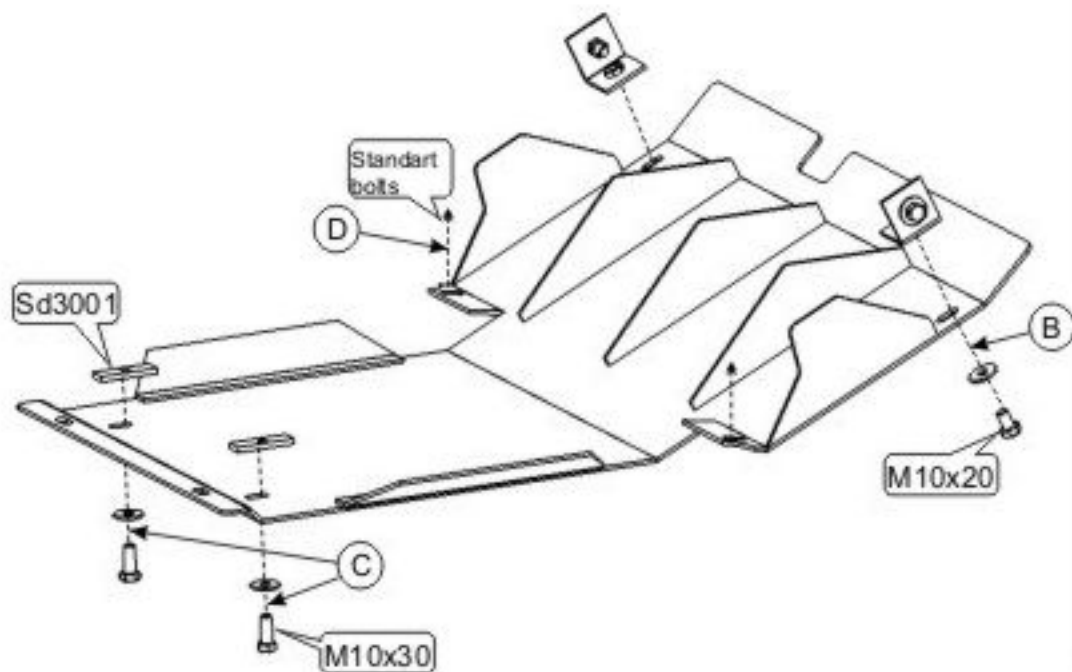
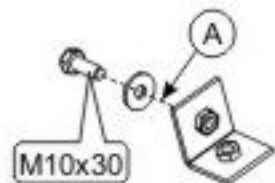


Mitsubishi L200

Bj. 2001 - 2005

Art.Nr. 14.0636



1. Remove the standard dust-coat.
2. Fasten the towing lug to the front part of the frame with M 10x30 bolts (A).
3. Fix the straps SD3001 to the apertures on the front axle beam.
4. Fix the main part of the skid plate to the already mounted towing lug with M 10x20 bolts (B).
5. Fasten the rear part of the skid plate to the already mounted straps with M 10x30 bolts (C).
6. Fasten the middle part with standard bolts (D).
7. Tighten all screw joints.



2 x M 10x20
4 x M 10x30



6 x 10



2 x Towing lugs



2 x 65x20x32 -Sd3001