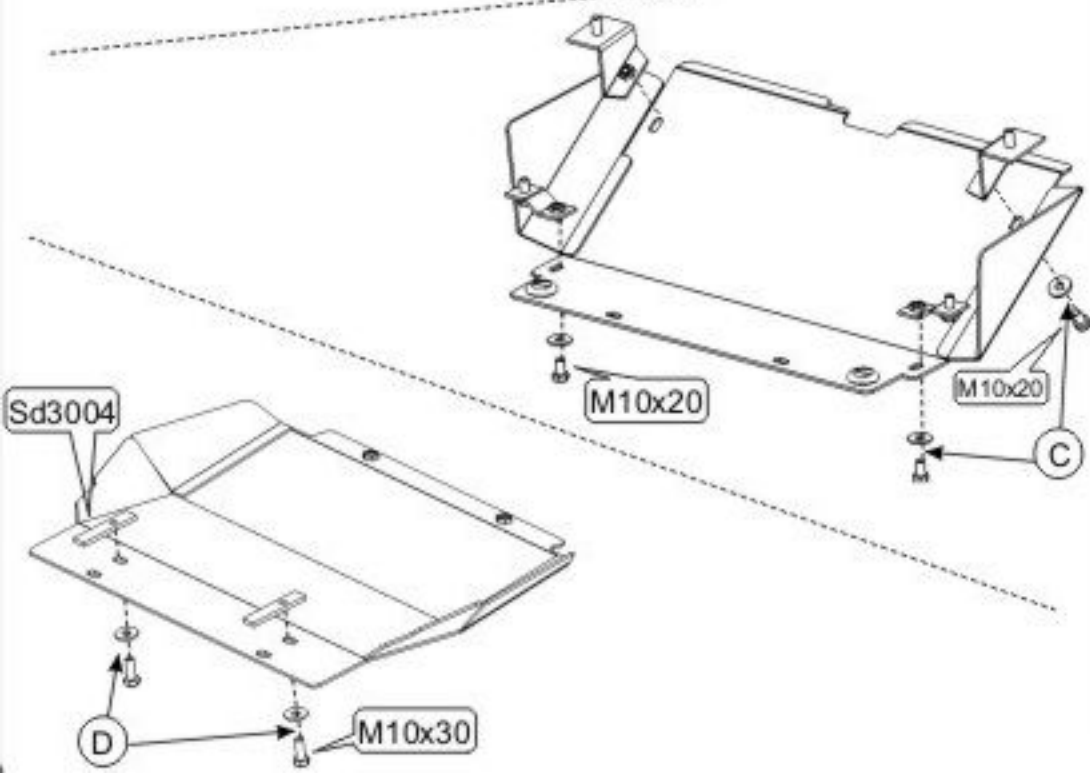
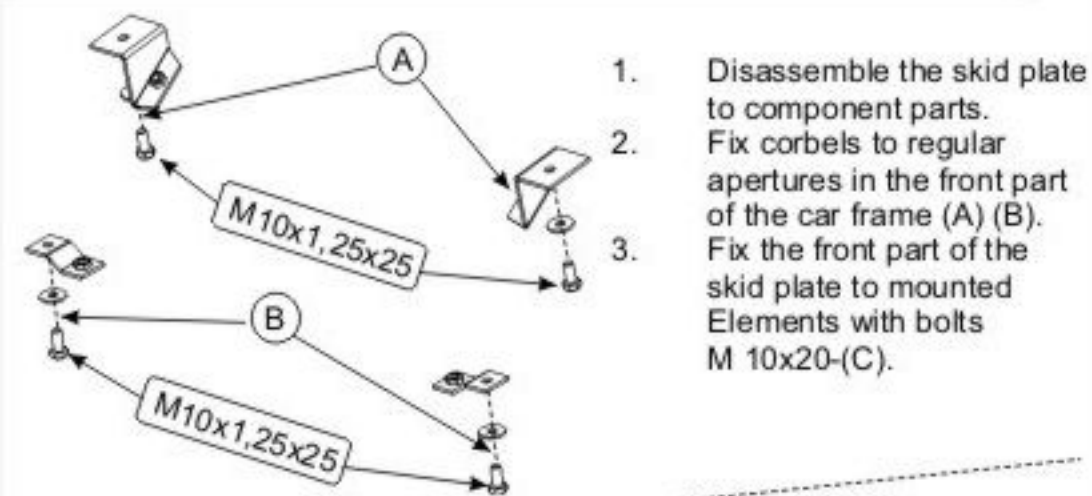


# Mitsubishi Pajero Sport K90

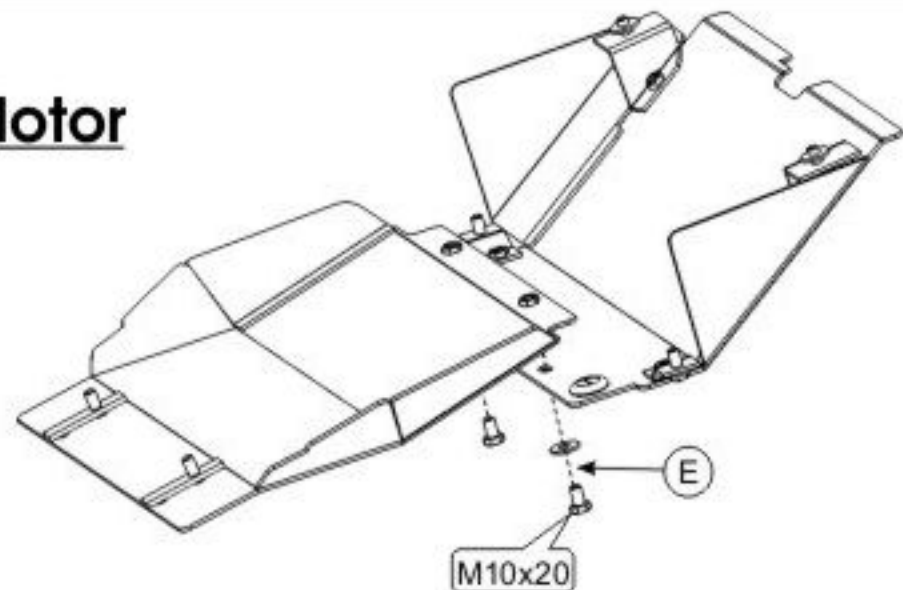
Bj. 2000 - 2005

3.0l

Art.Nr. 14.0573



## Motor



4. Fix straps Sd3004 into the front axle beam apertures.  
5. Fix the rear part of the skid plate to mounted elements with bolts M 10x30- (D) and to the front part with bolts M 10x20 -(E).  
6. Tighten all screw joints.

