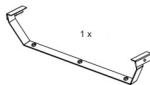
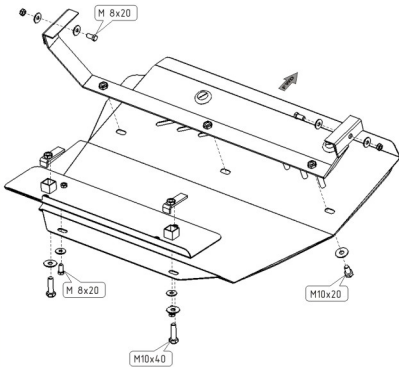


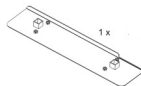
# MERCEDES - BENZ W208 CLK

2000-

Type: 13.0417



1 x



1 x



2 x



2 x M8



4 x M 8x20  
3 x M 10x20  
2 x M 10x40



4 x 8  
5 x 10