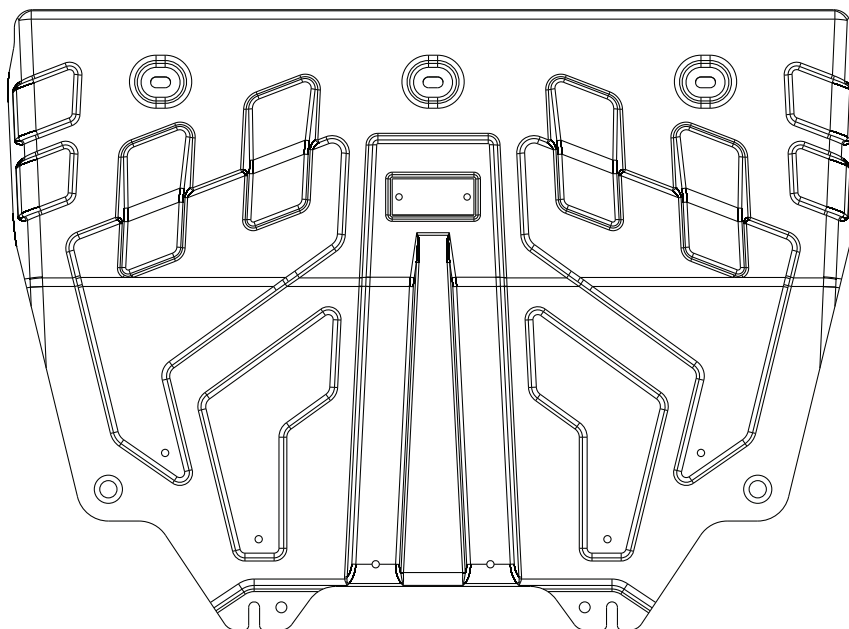


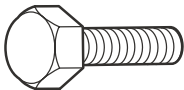



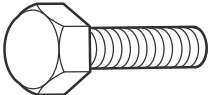
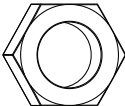
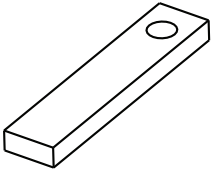
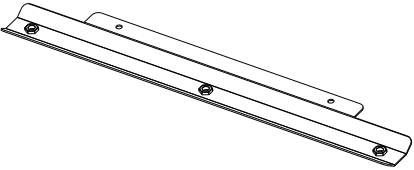
A

MAZDA 6

MAZDA CX-5

GB UNDERGUARD
 Installation instruction


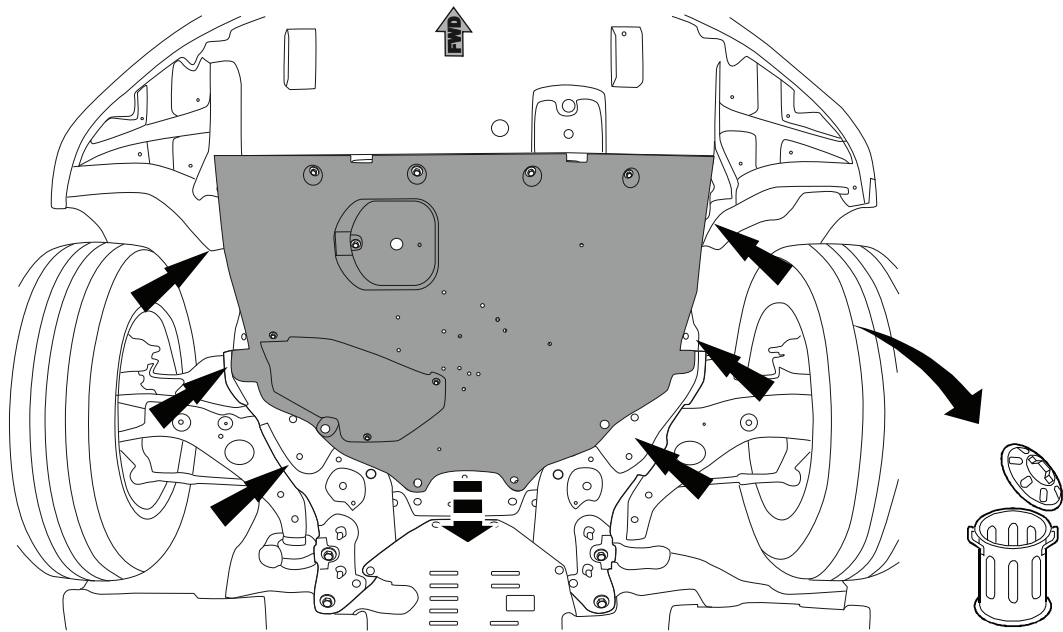
INSTALLATION

B  M8x20 2x	C  Ø10 3X
D  M8x40 2x	E  Ø8 6X
F  M10X20 3x	G  M8 2x
H  2x	I  1x

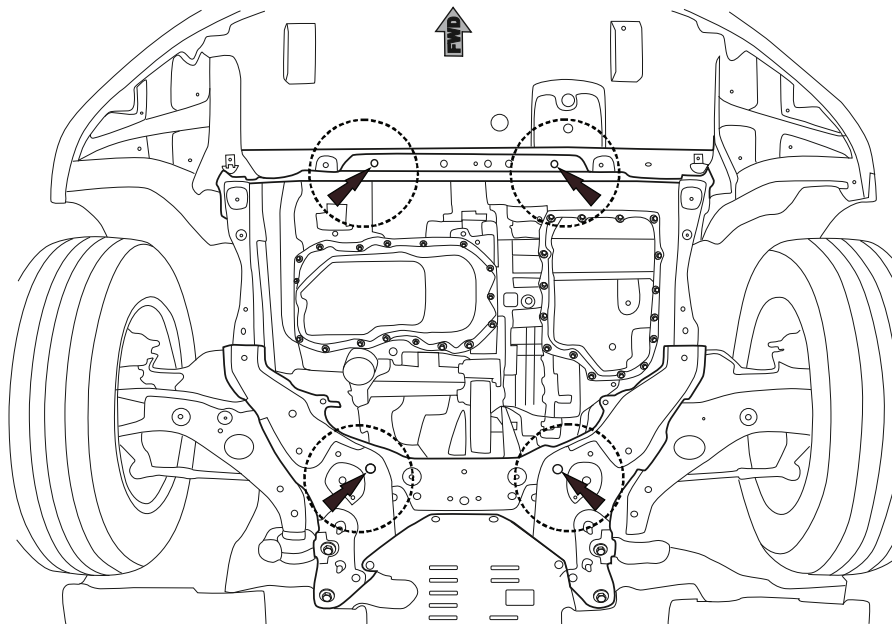
 Part Number: 12.2175
 12.2192
 12.2704

Date: 12-03-2012

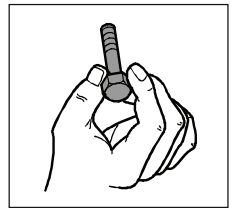
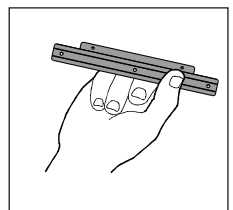
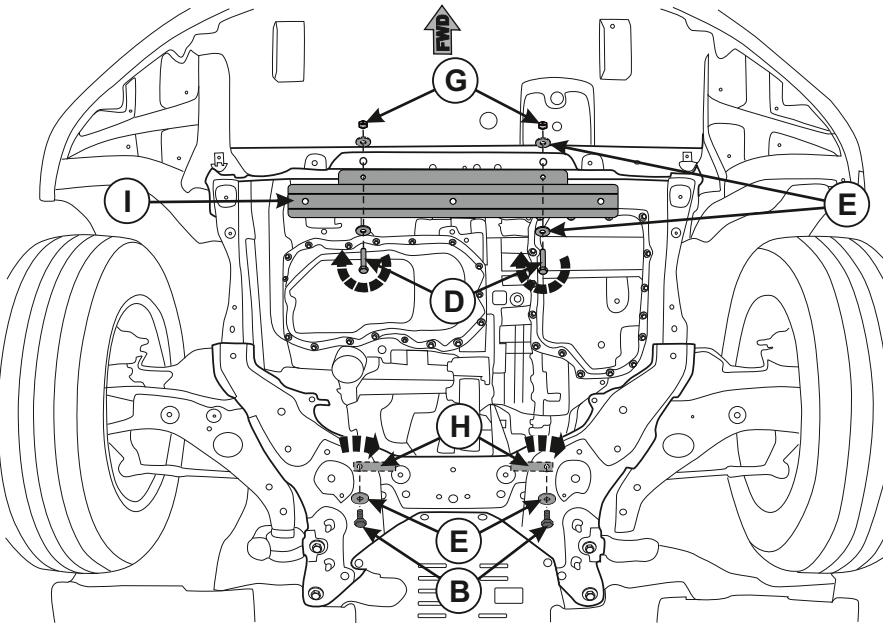
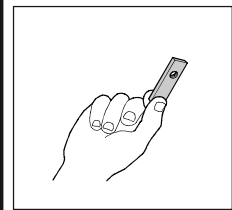
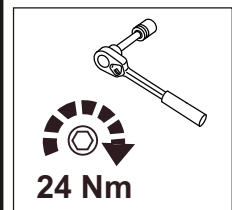
Sheet 2 of 5



1



2

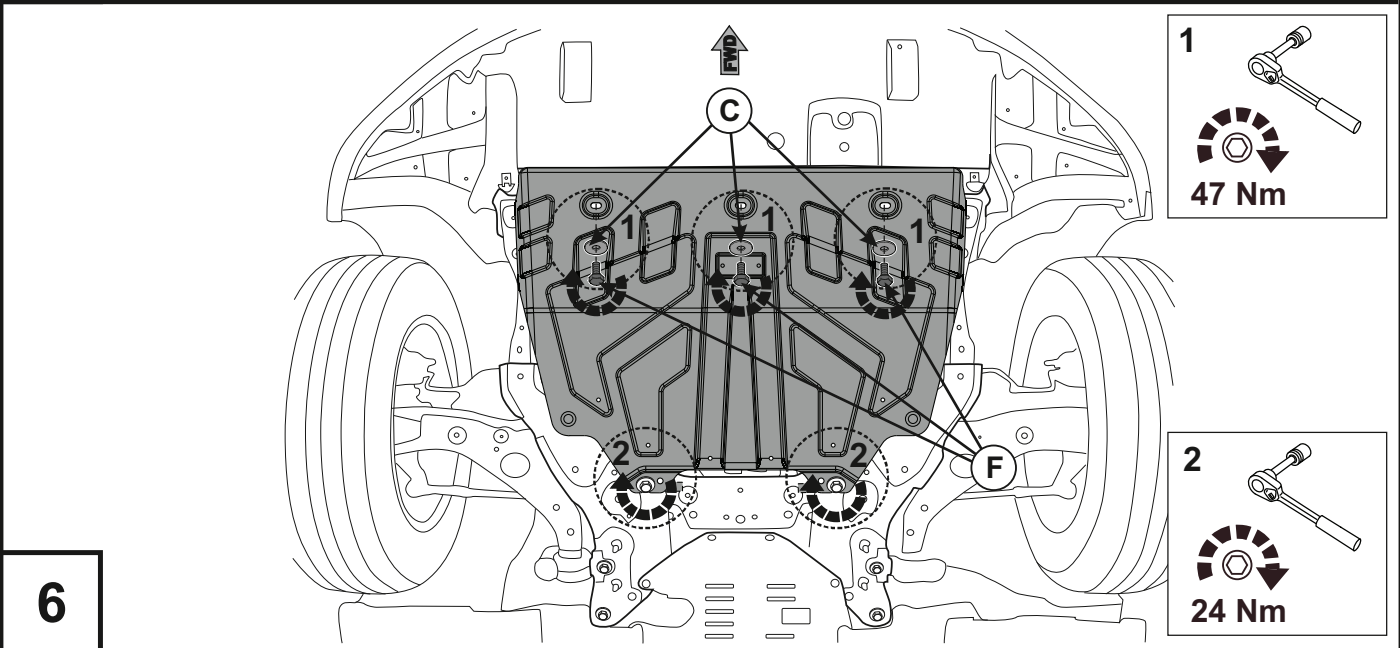
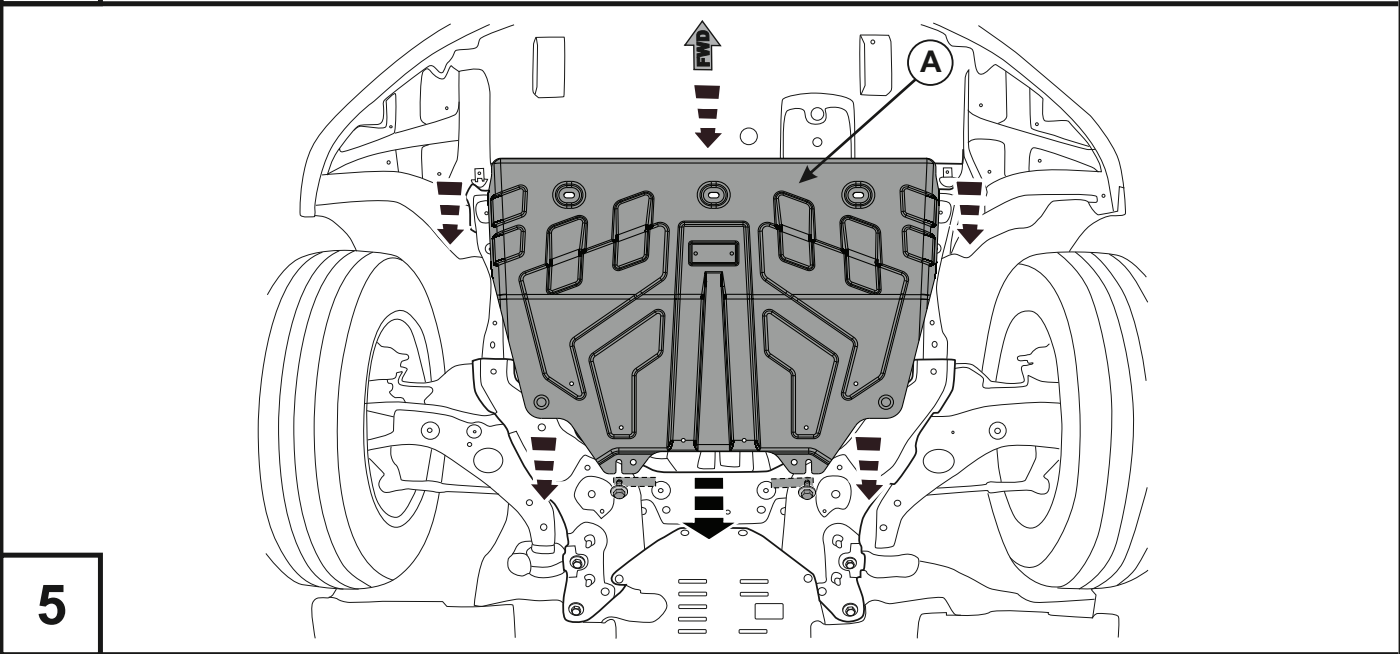
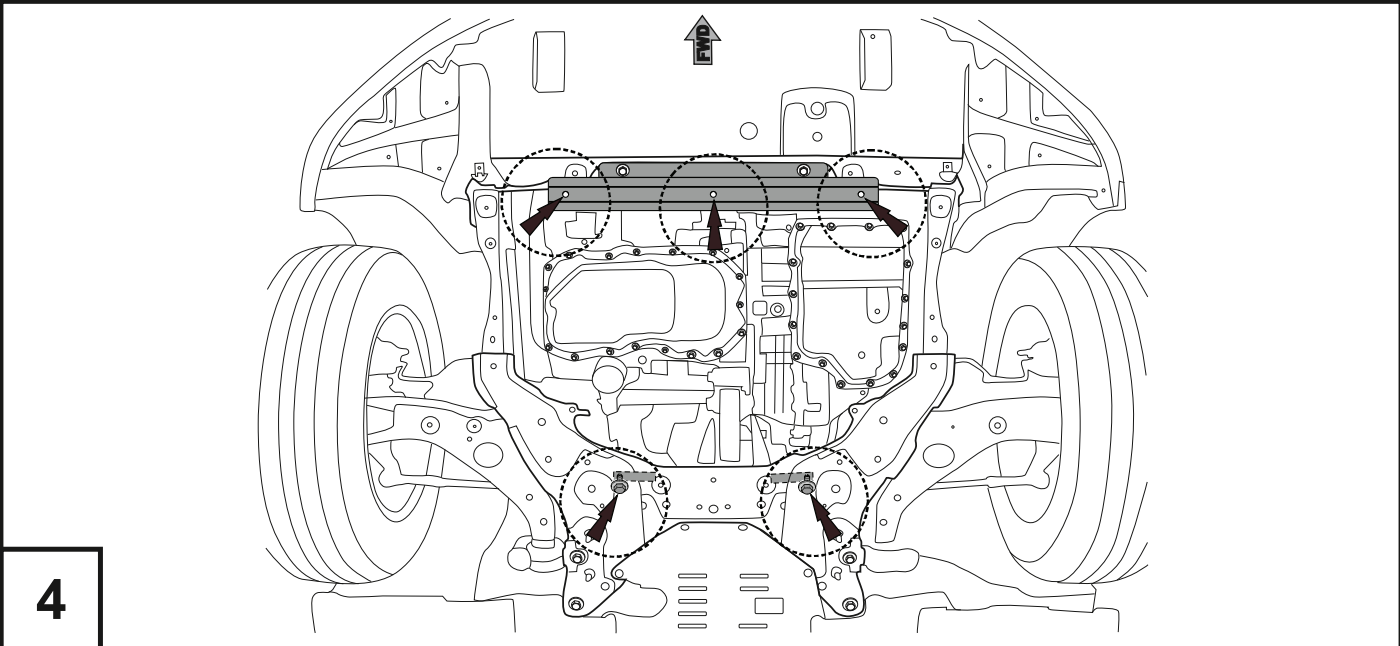


3

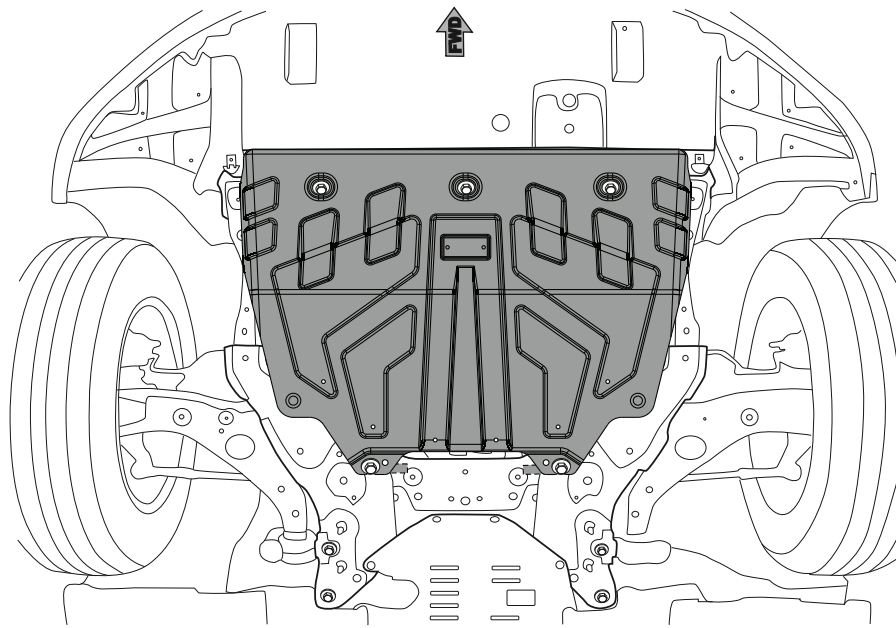
Part Number: 12.2175
12.2192
12.2704

Date: 12-03-2012

Sheet 3 of 5



	Part Number: 12.2175 12.2192 12.2704	Date: 12-03-2012	Sheet 4 of 5
--	--	------------------	--------------



7

Part Number: 12.2175
12.2192
12.2704

Date: 12-03-2012

Sheet 5 of 5