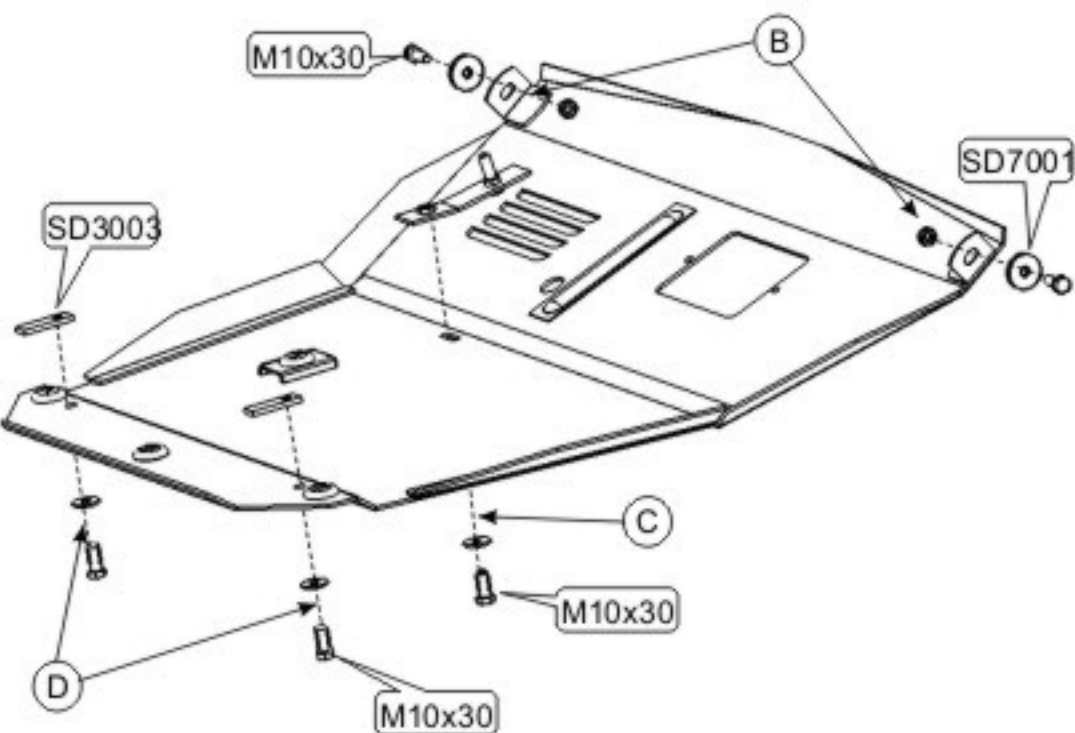
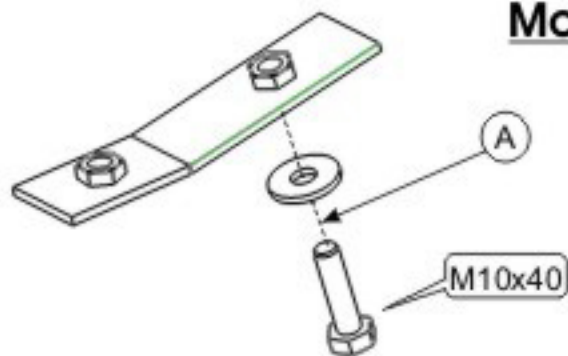


Mazda Tribute

Bj. 03/2000-

Art.Nr. 12.0385

Motor und Getriebe



1. Disassemble the skid plate to component parts.
2. Insert the longer part of the slat into engine supporting beam and fix it through apertures with bolts M 10x40 so that free part of the slat is located in the center of the groove -(A).
2. Fix straps SD3003 into the front axle beam apertures.
3. Fix the front part of the skid plate to towing lugs with bolts M 10x30 -(B).
4. Mount the bolt M 10x30 fastening central part of the skid plate; do not tighten the bolts yet -(C).
5. Fix the rear part of the skid plate to already mounted straps -(D).
6. Tighten all screw joints.

