

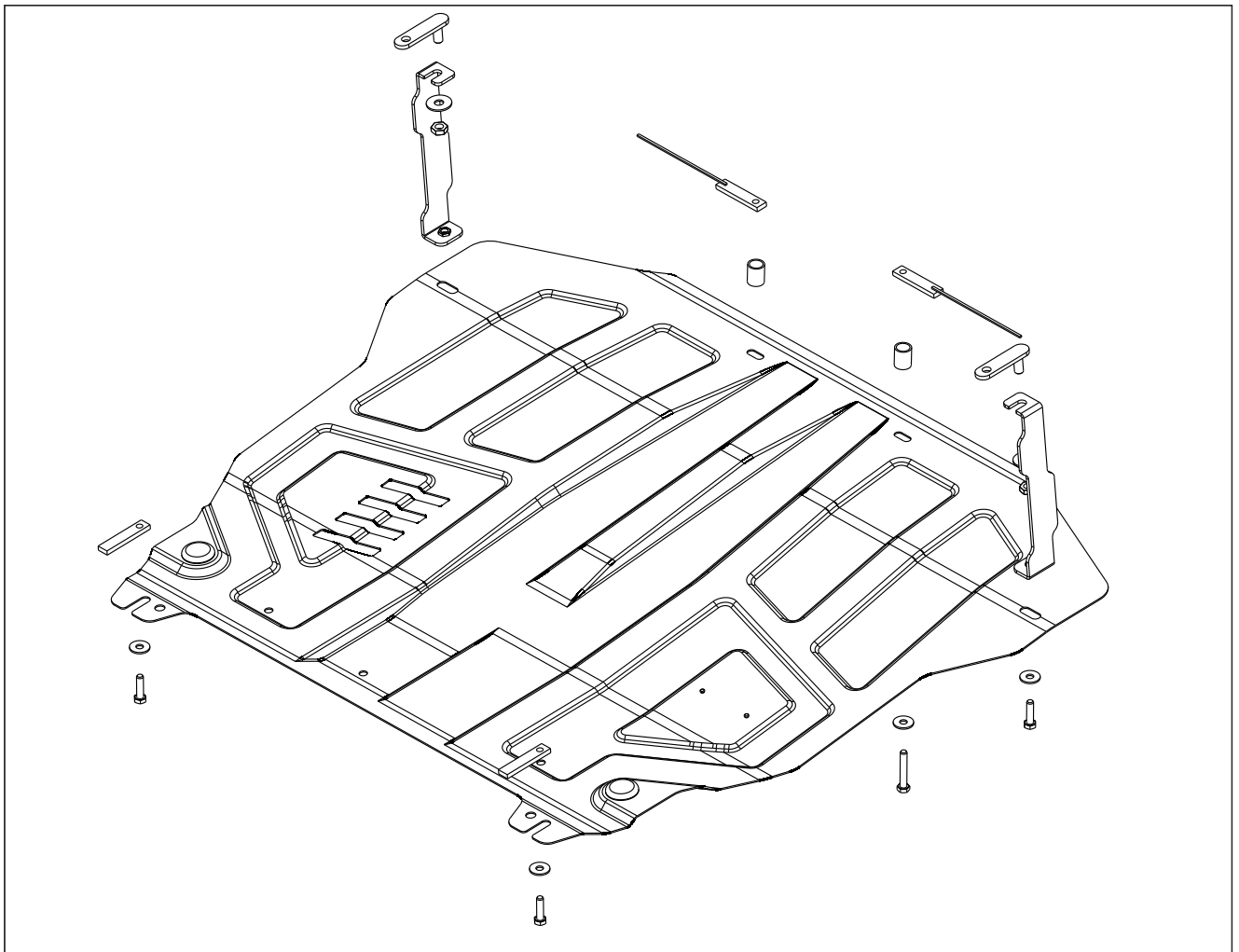
Part number:

11.2173/11.2174/11.2851

Model name: Optima

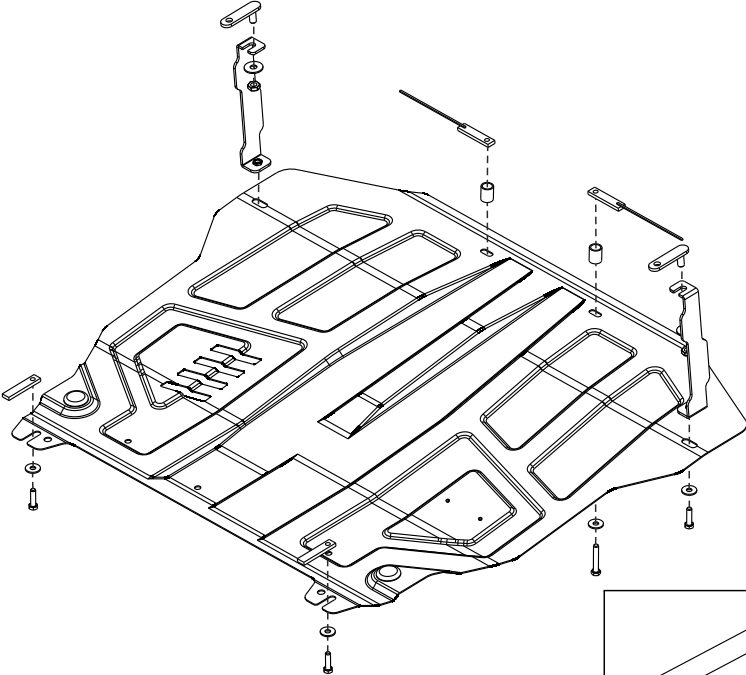
Model year: 2012-/2014 -

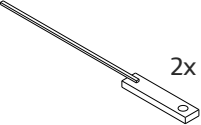

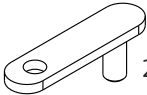
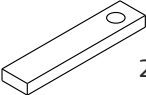
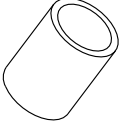
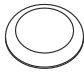
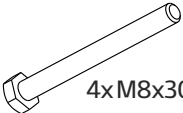

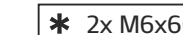

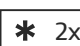
GB Fitting instruction: Engine undercover



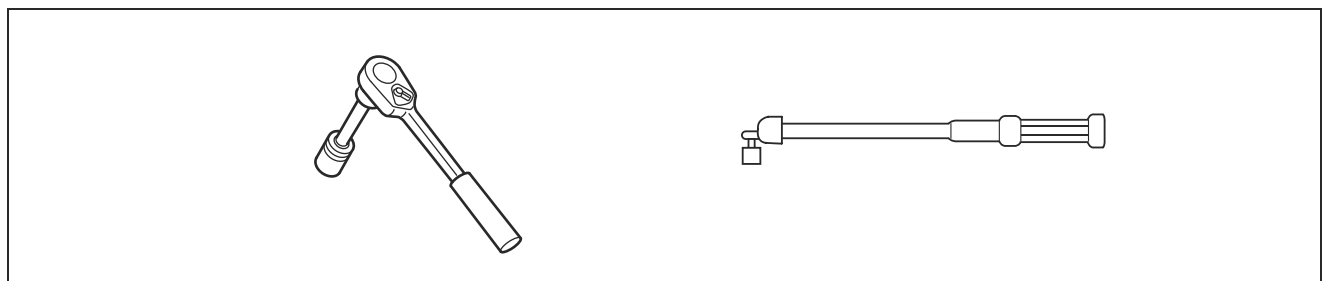
Part number:

11.2173/11.2174/11.2851



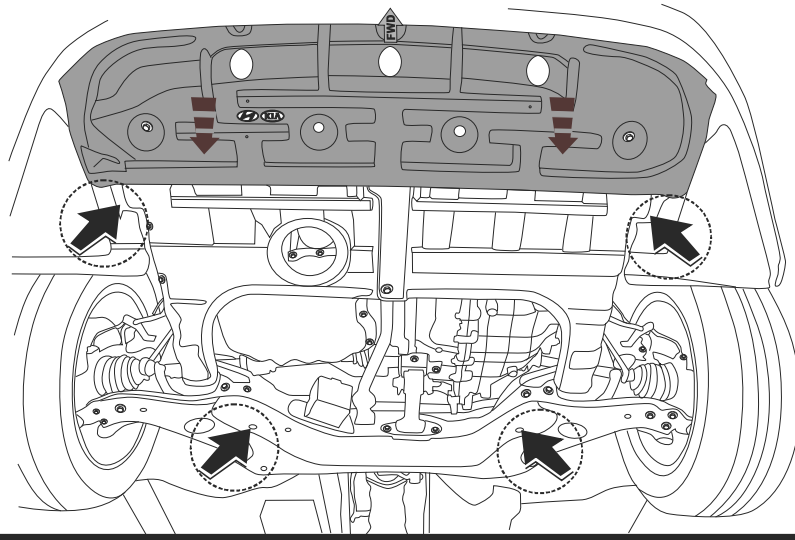
 2x	 2x
 2x	 2x
 2x	 2x РП 12001
 4x M8x30 2x M8x50	 M10 2x
 * 2x M6x60	 6x $\varnothing 8$ 2x $\varnothing 10$
 * 2x $\varnothing 6$	

* – for cars by 2015

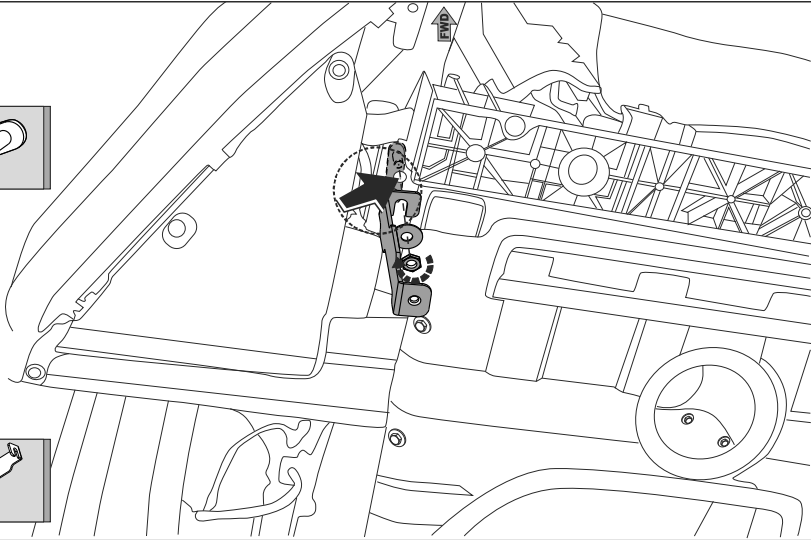
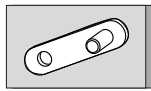


Read this mounting manual carefully, before you start the installation. Warranty is granted only when installation is done correctly by your KIA dealer.

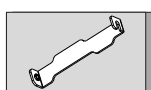
1



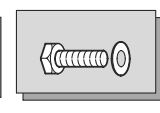
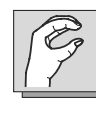
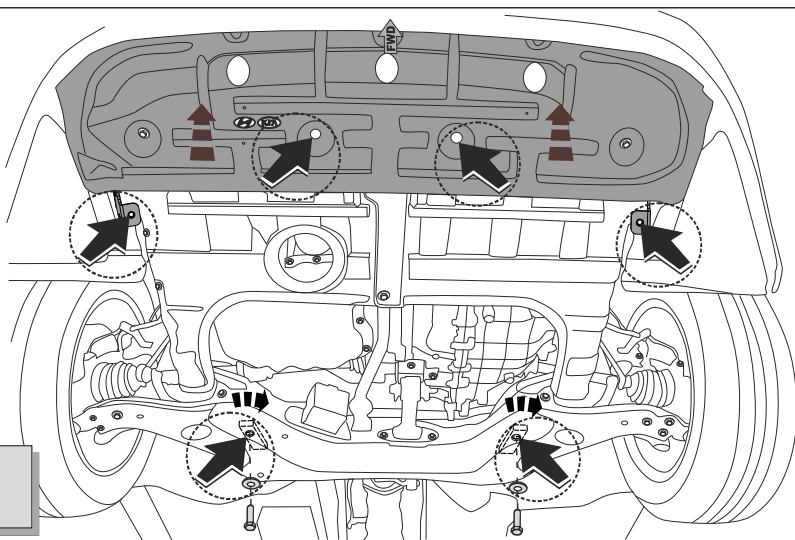
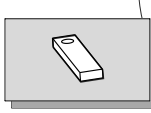
2



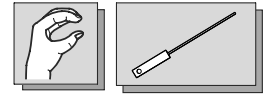
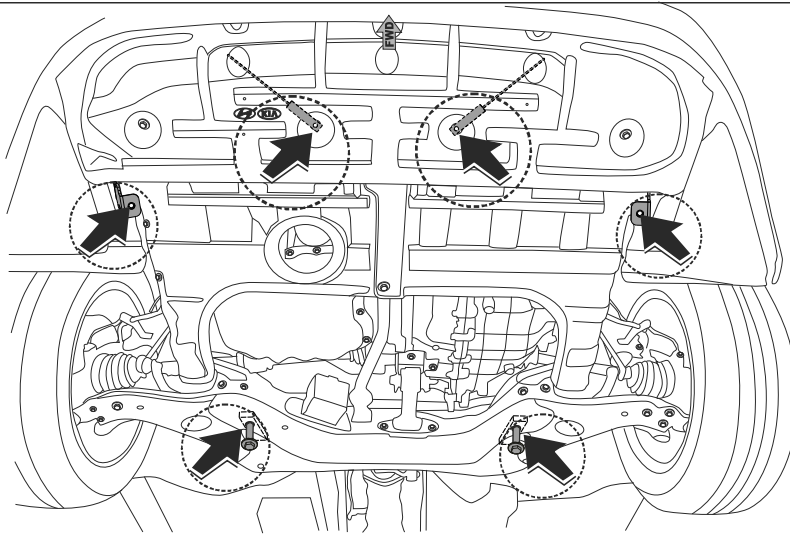
47 Nm



3

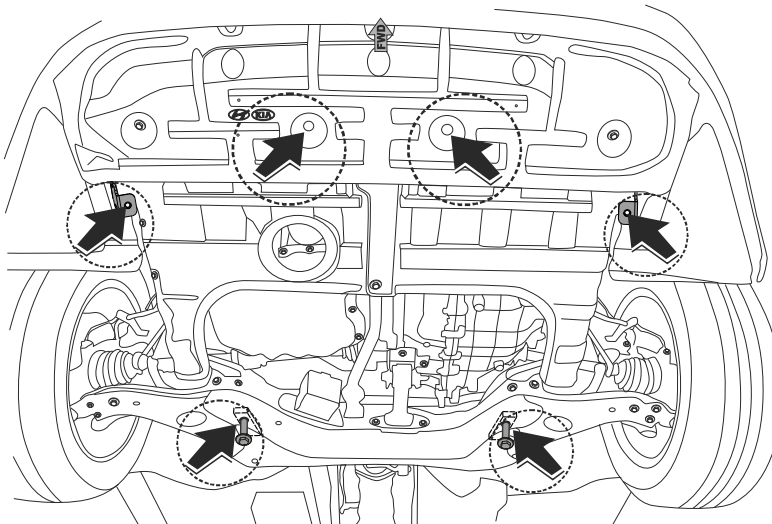


4a



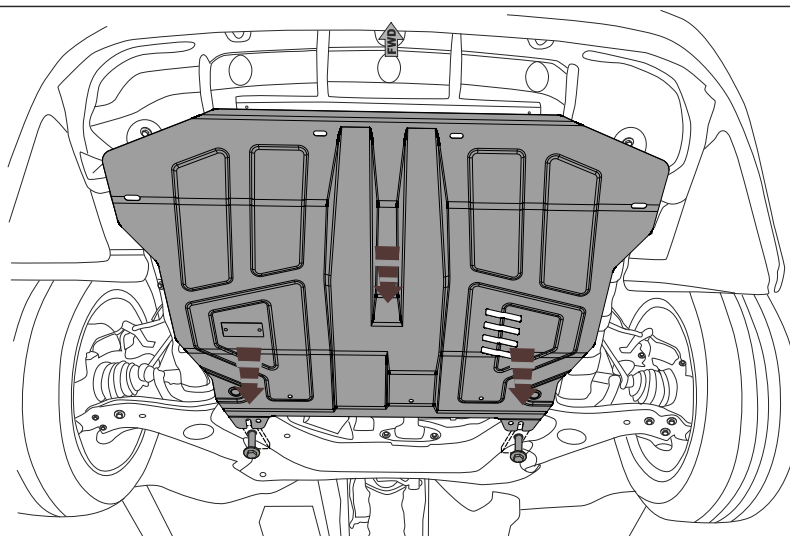
for cars by 2015

4b

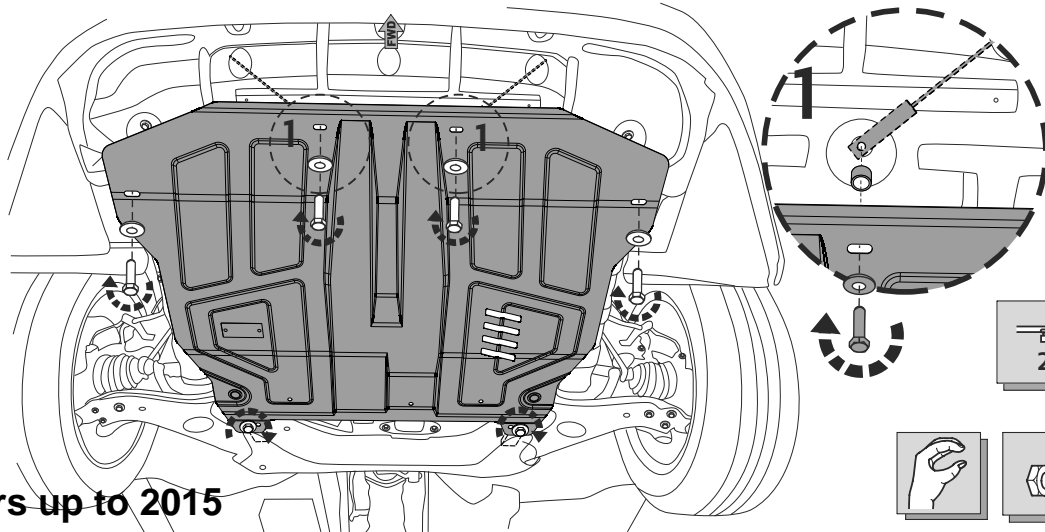


for cars by 2015

5

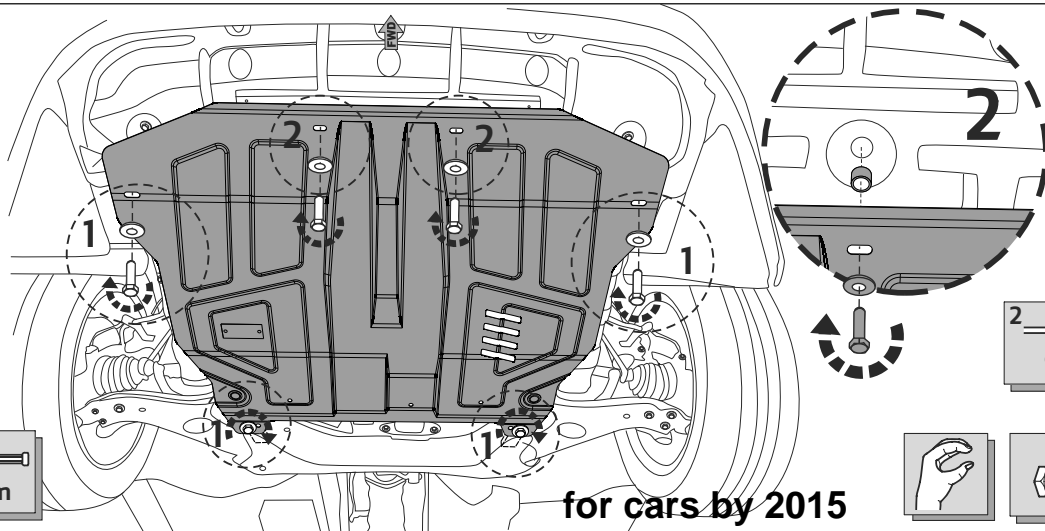


6a



for cars up to 2015

6b



for cars by 2015

7

