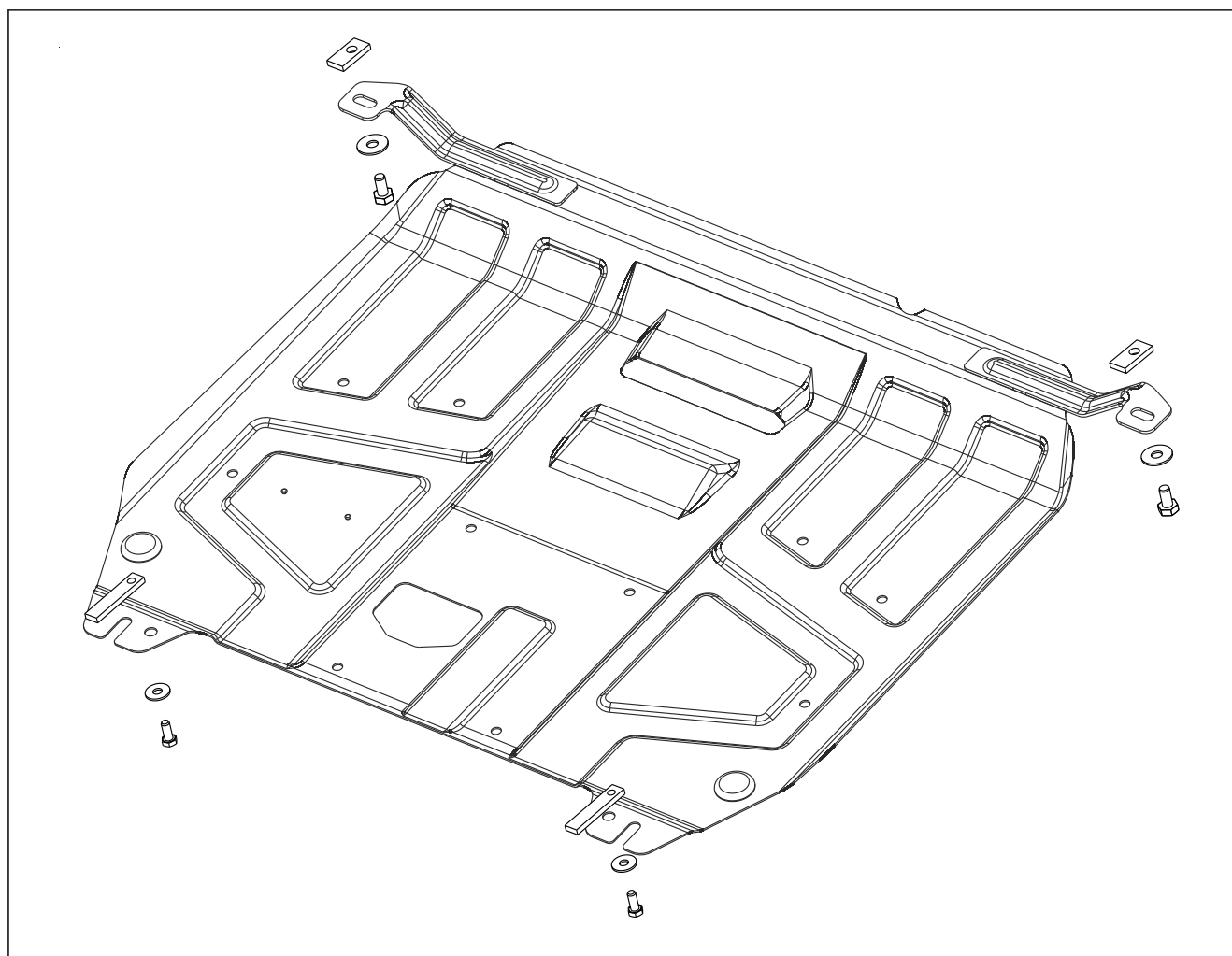


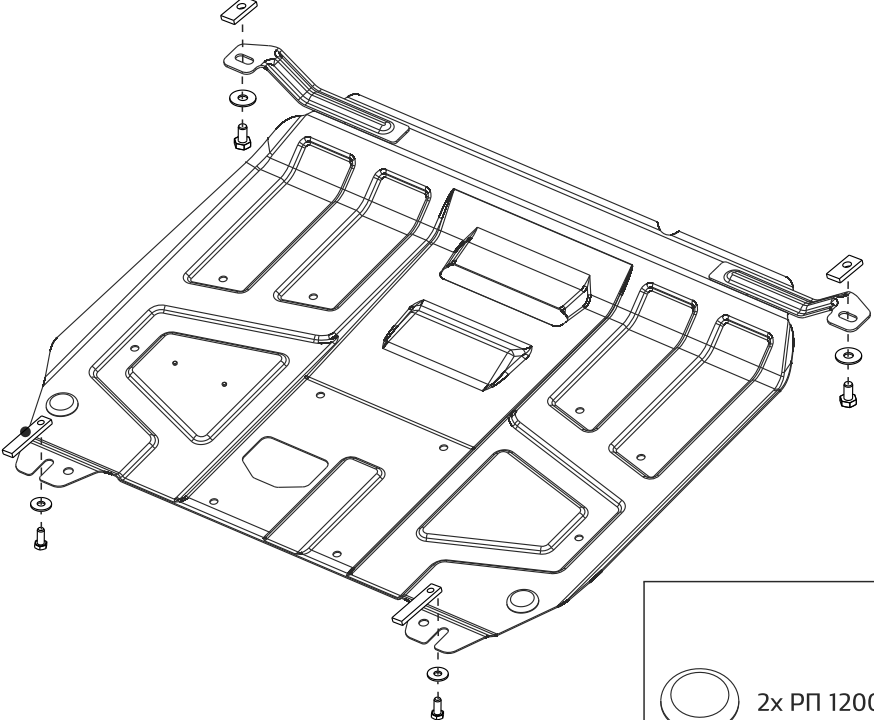

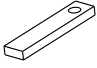
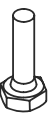


KIA RIO

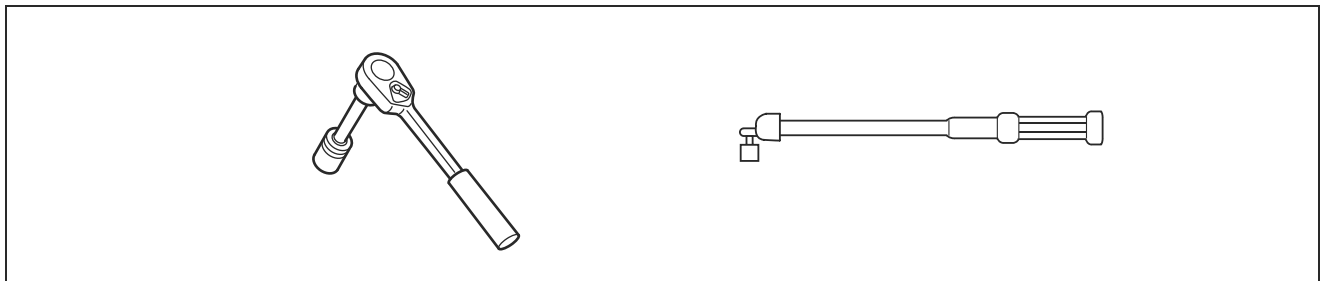
Model name: Rio

Model year: 2011-

GB Fitting instruction: engine undercover



	 2x
	 2x
	 2x M8x20 2x M10x20
	 2x $\varnothing 8$ 2x $\varnothing 10$
 2x ПП 12001	



GB Read this mounting manual carefully, before you start the installation. Warranty is granted only when installation is done correctly by your KIA dealer.

--	--

