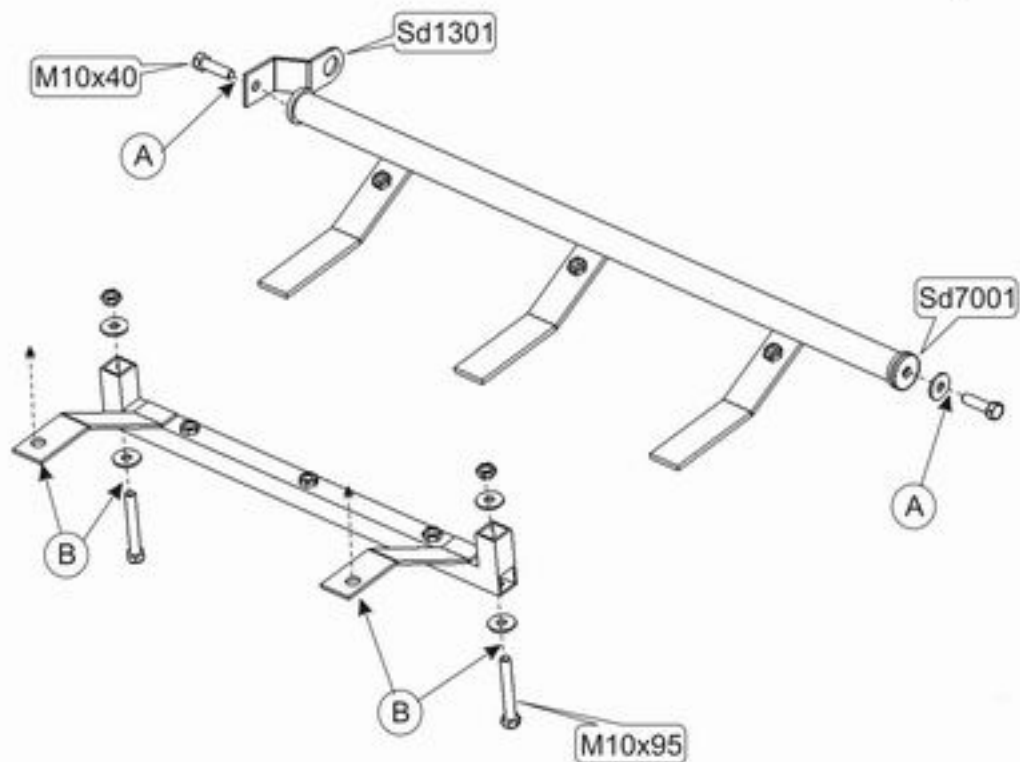


Honda CR-V

Body: years.:1995-; V: 2,0;
VIN:- JHLRD1748XC000000 TYPE :09.090



1. Disassemble the skid plate to component parts.
2. Fix the front beam of the skid plate to car's towing lugs with bolts M 10X40 -(A).
3. Fix the rear beam of the skid plate to the front axle beam with regular bolts. Additionally fix the rear beam to the edge of the front axle beam with bolts M 10x95 -(B).
4. Fix the skid plate to mounted beams: in front - with bolts M 10x20 -(D), in rear - with bolts M 10x40 -(C).
5. Tighten all screw joints.

