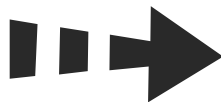


**Ford Explorer** (Sport, Limited) 3,5 AT case **2013** 



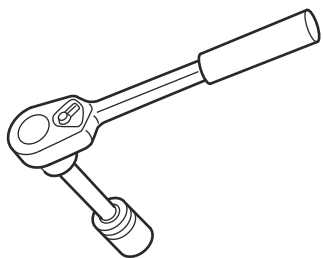
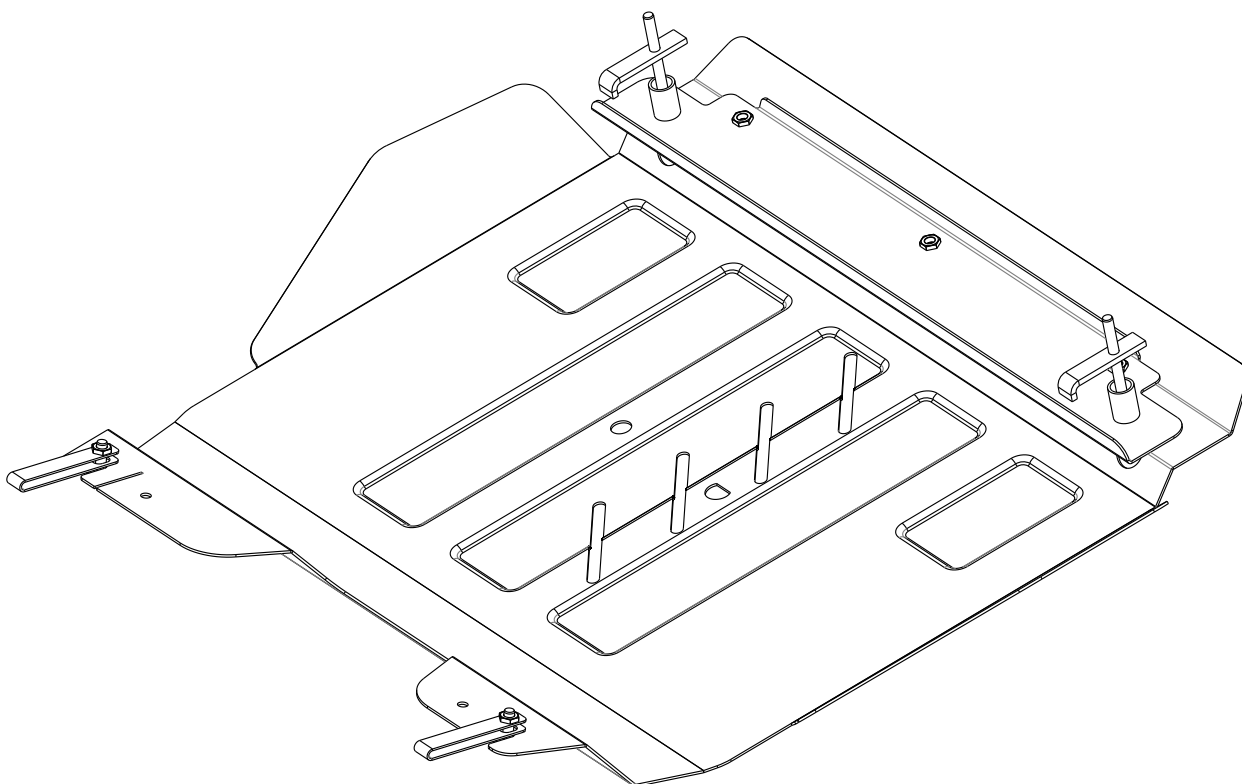
(GB) Location/Position Arrow

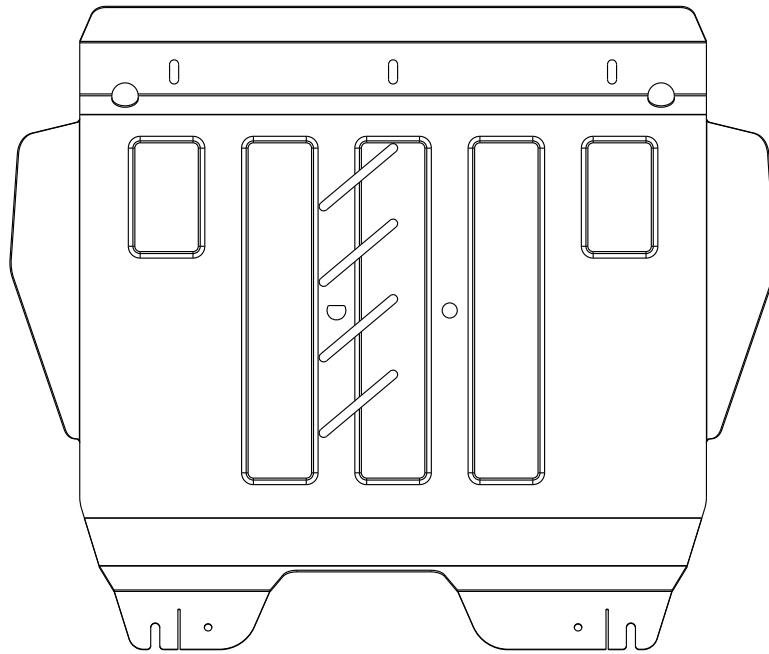


(GB) Movement Arrow

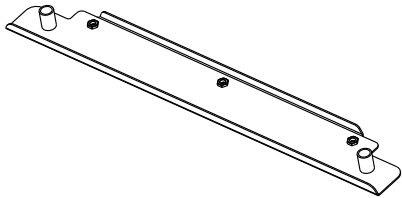


(GB) Screw Arrow

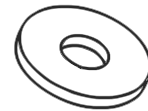


**A**

1X

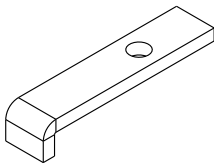
**B**

1X

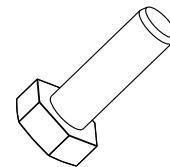
**C**

Ø10

7X

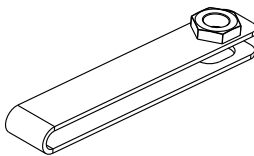
**D**

2X

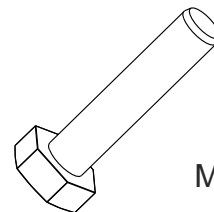
**E**

M10x30

5X

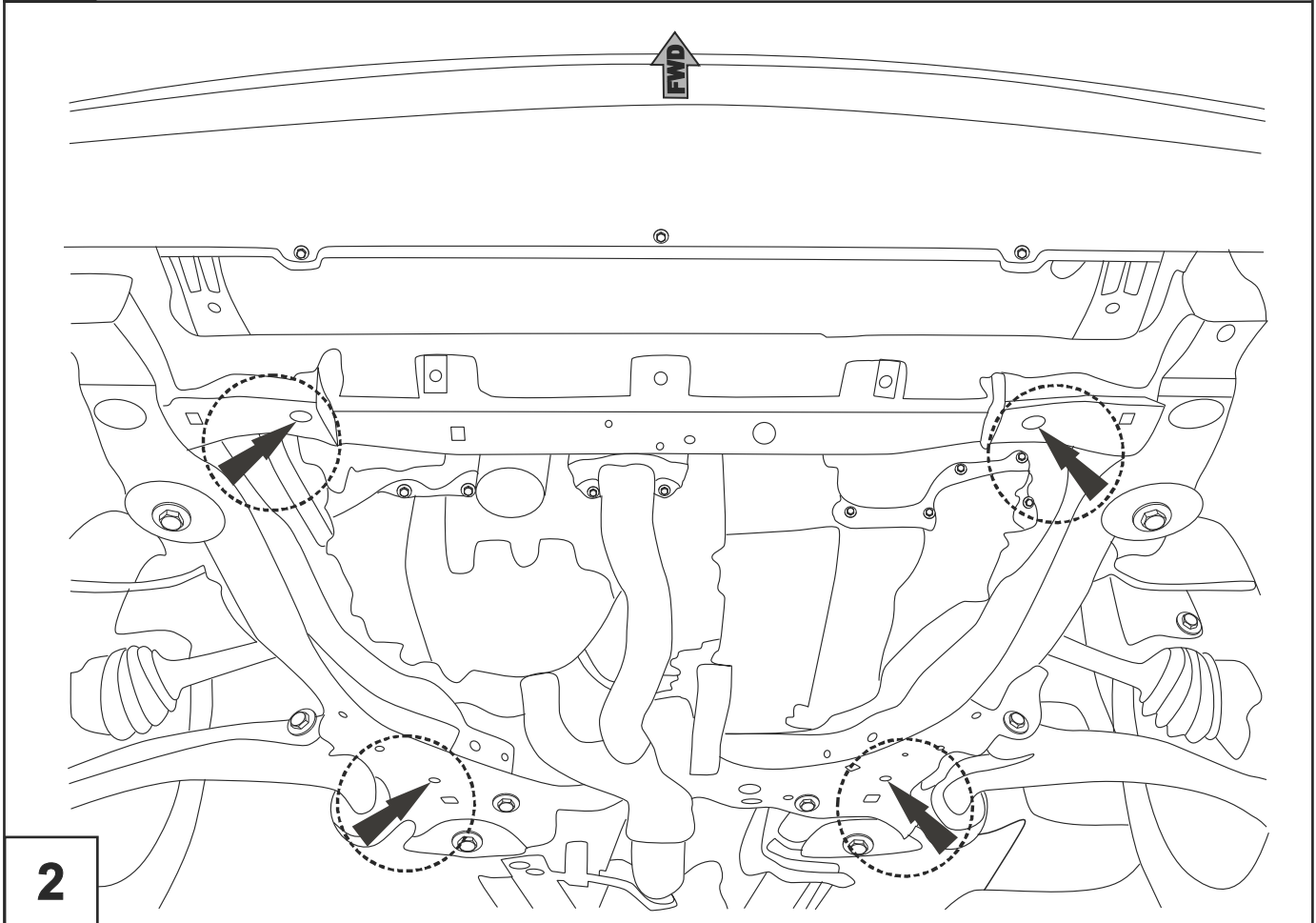
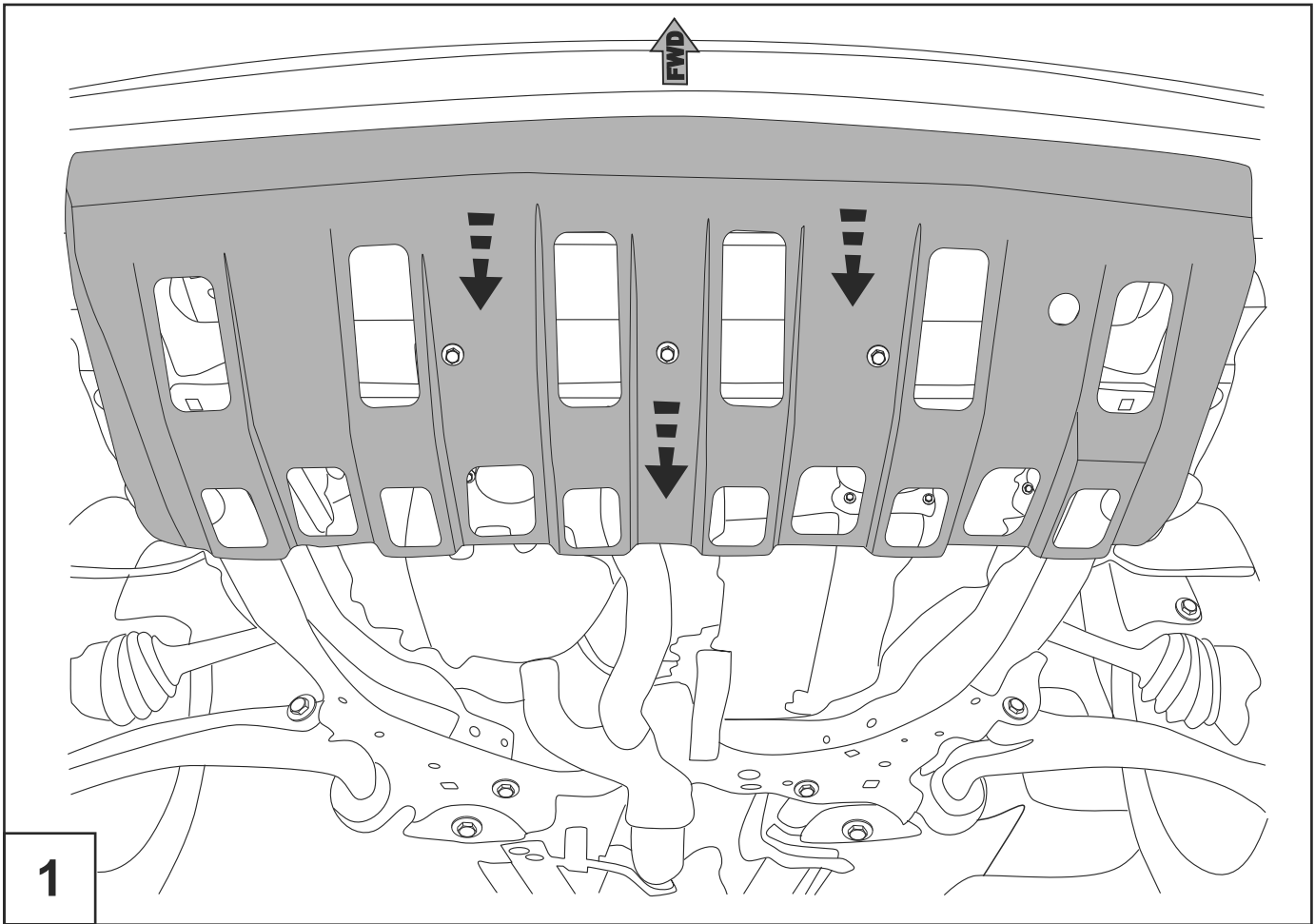
**F**

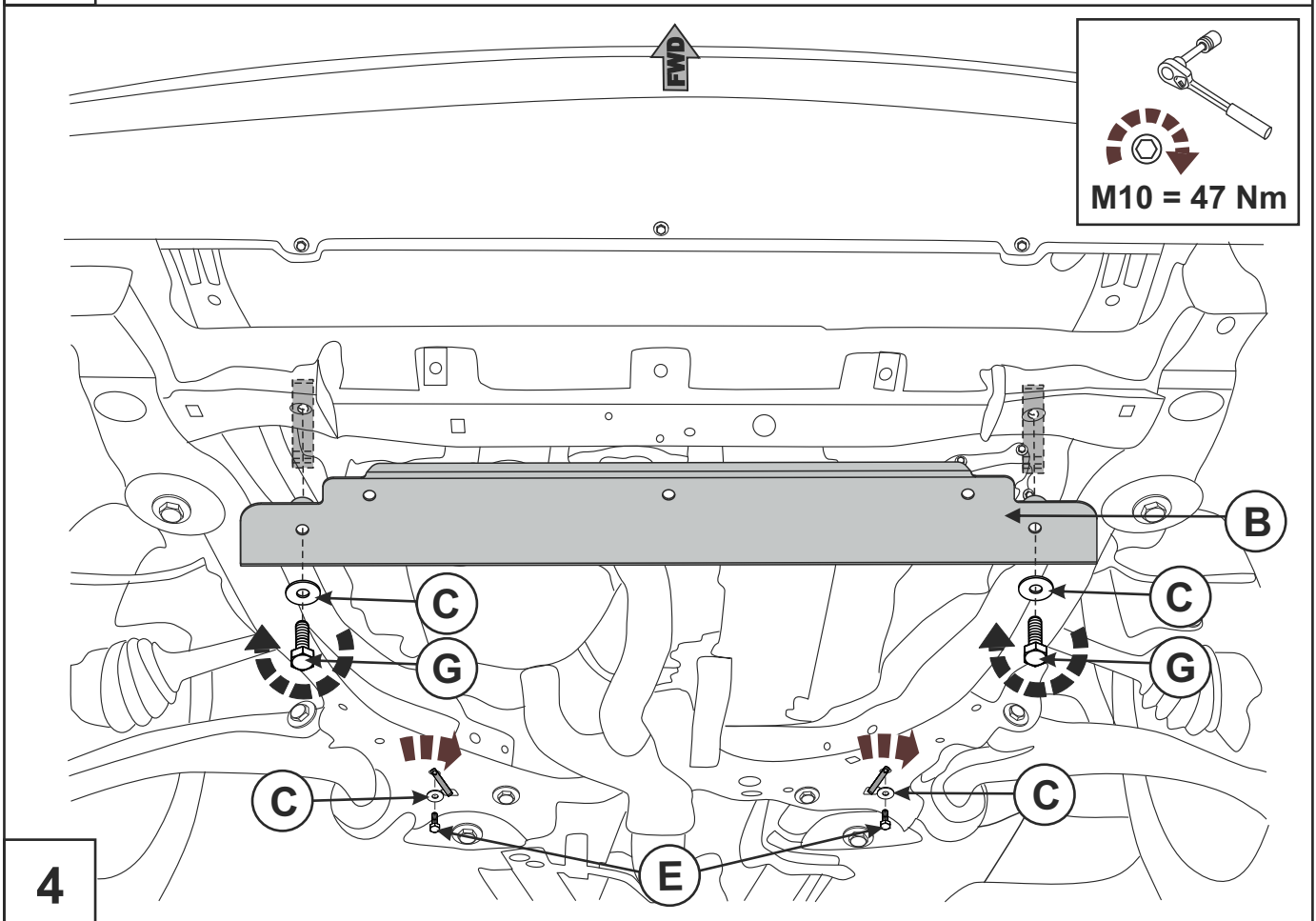
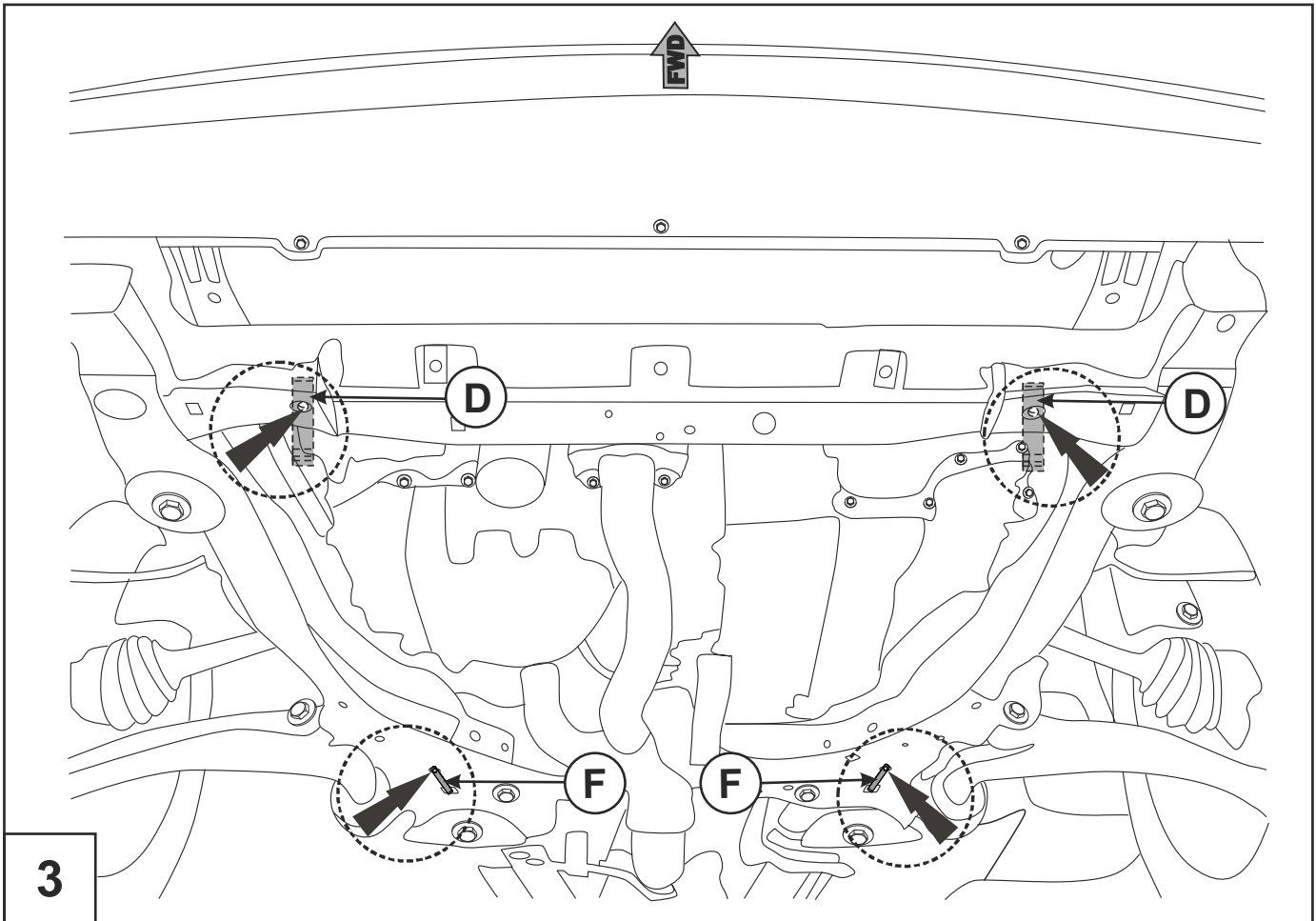
2X

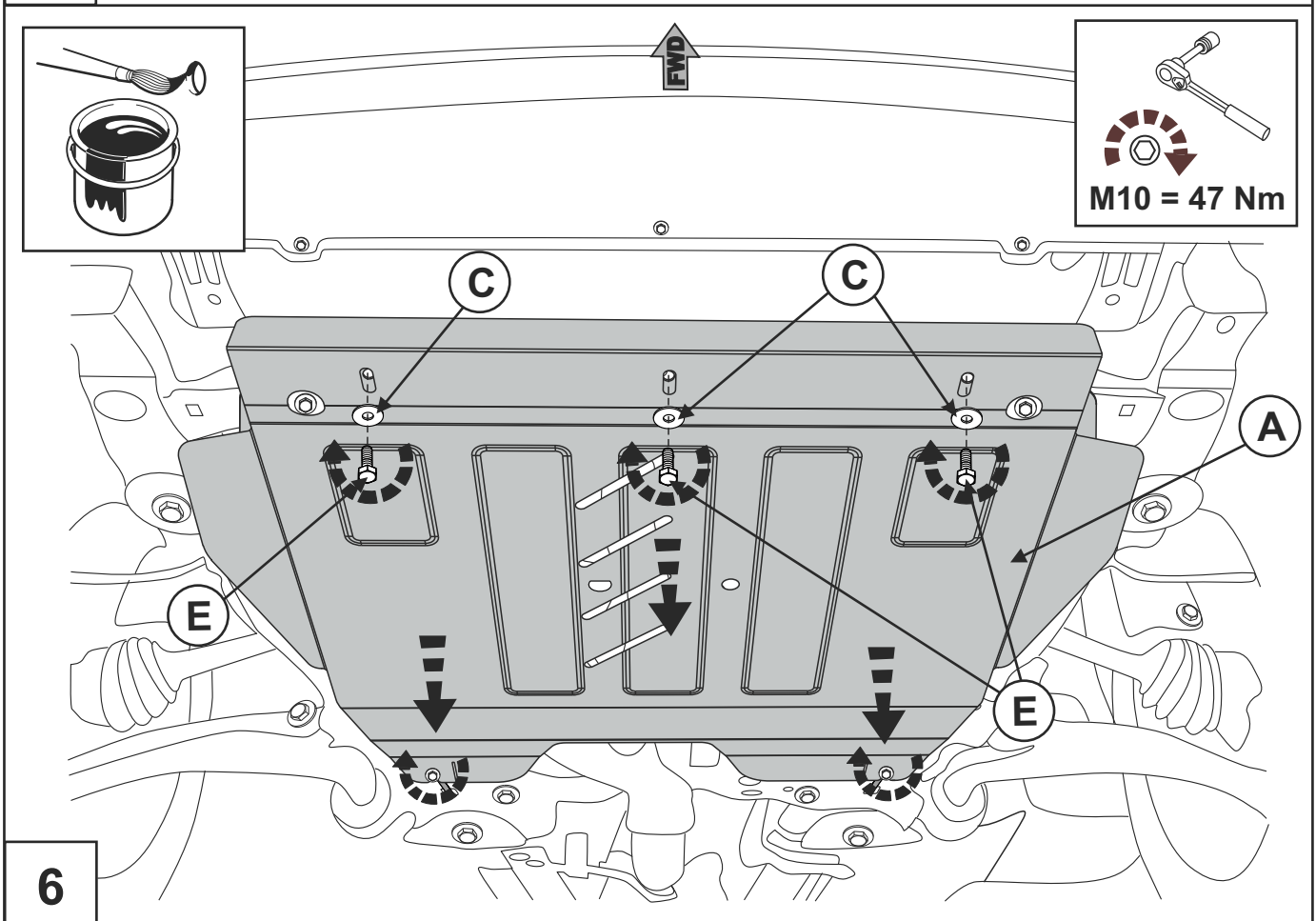
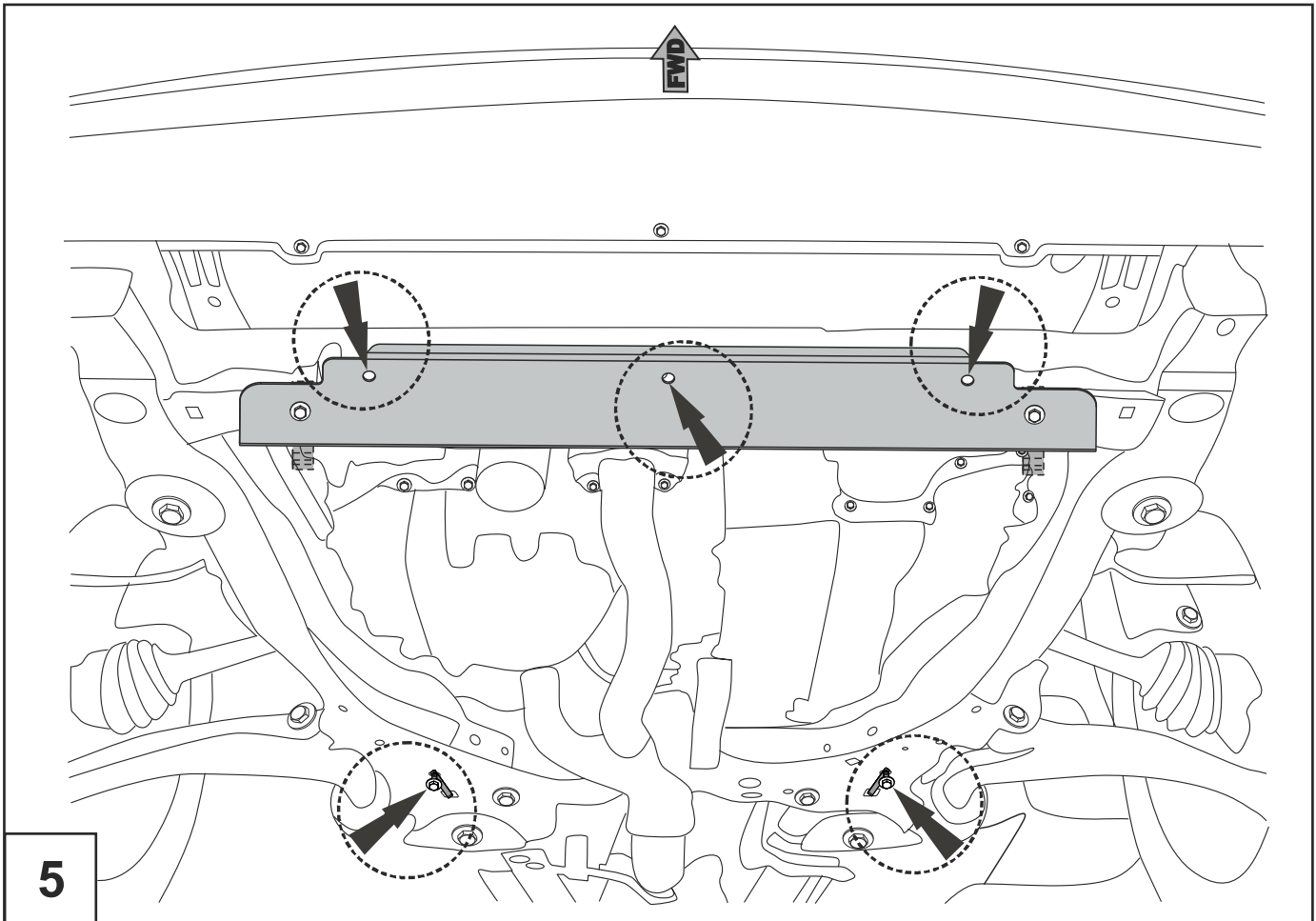
**G**

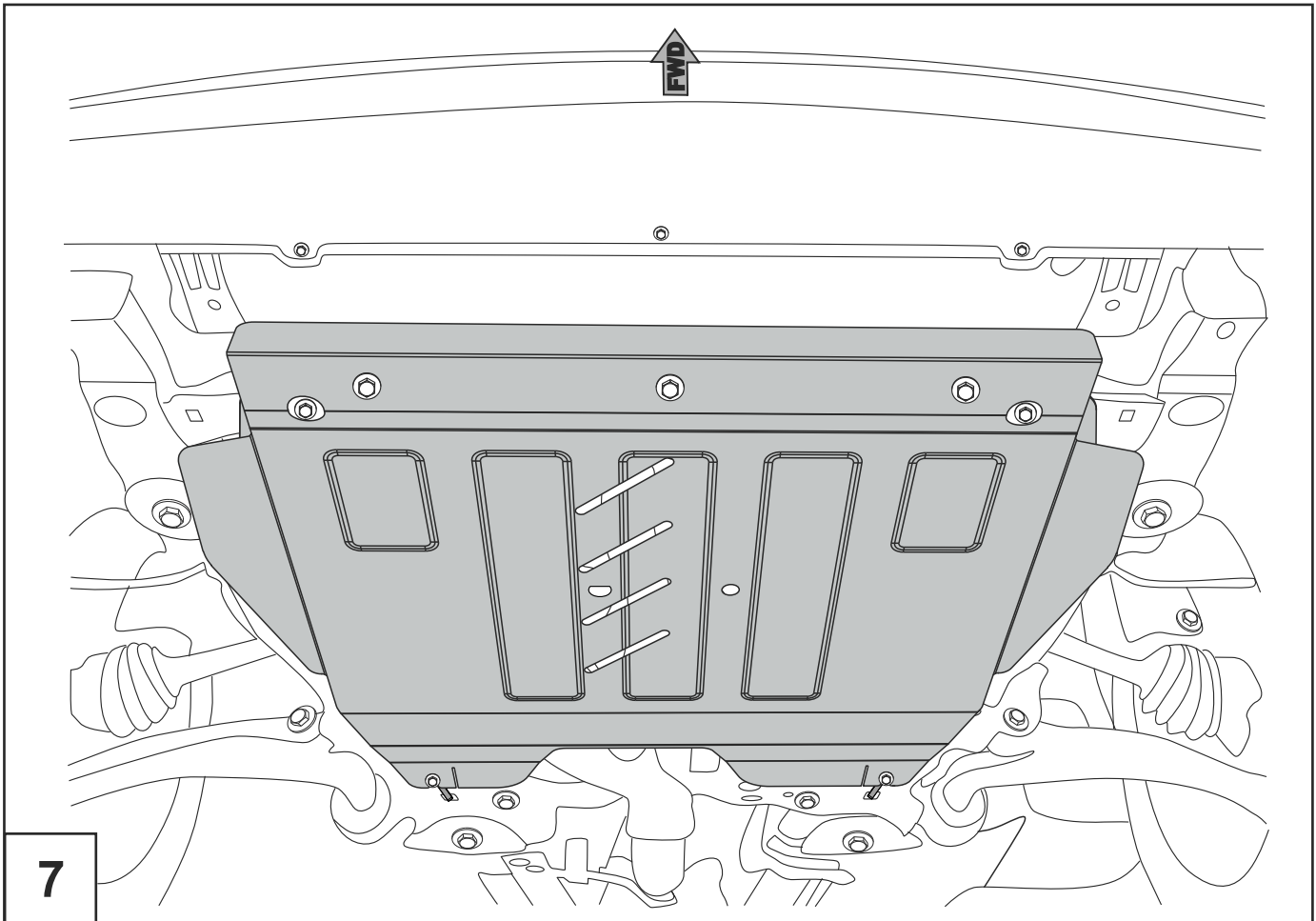
M10x120

2X









7