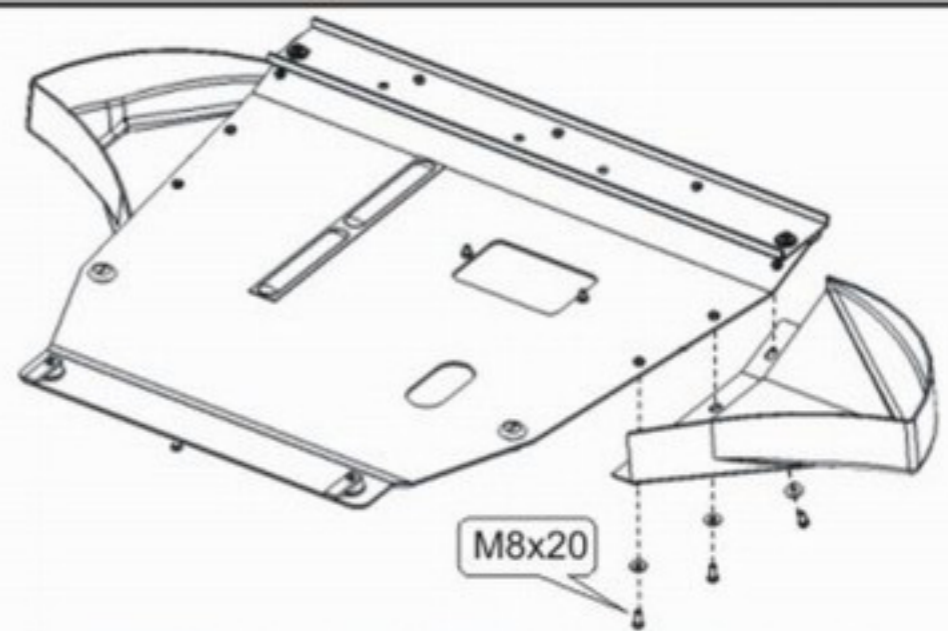


FORD Focus

Year: 1998 - 2004

TYPE :8.464



1. **Disassemble the skid plate to component parts.**
2. **Fix the strap "1" to the car and fasten it to the radiator's beam with M 8x20 bolts and nuts.**

1. **Disassemble the skid plate to component parts.**
2. **Fix the strap "1" to the car and fasten it to the radiator's beam with M 8x20 bolts and nuts.**
3. **Fix the straps to the apertures on the front axle beam.**
4. **Fasten the front part of the skid plate to the already mounted strap with M 8x20 bolts.**
5. **Fasten the rear part of the skid plate to the already mounted straps.**
6. **Fix the skid plate's wings with M 8x20 bolts.**
7. **Tighten all screw joints.**

