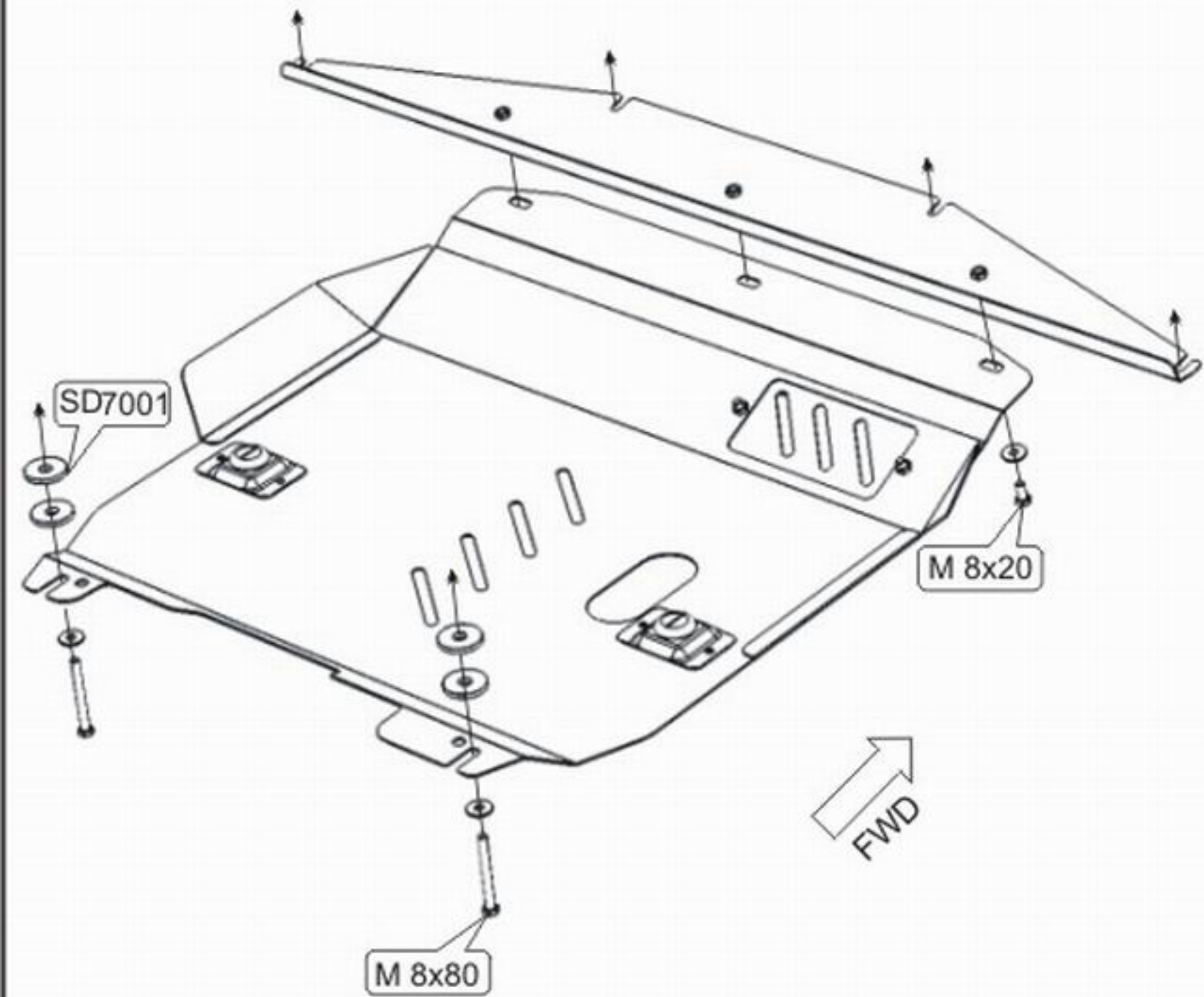


Fiat Panda

Body: Years.: 2006- ; V: all
VIN:- AT Type: 07.995



1. Dismount the fastener of the bumpers lower part.
2. Disassemble the skid plate to component parts.
3. Fix the front beam under the bumper and fix it together with the bumper using OE bolts.
4. Screw bolts M10x80 with two special washers mounted on each bolts into the front axle beam apertures .
5. Fix the skid plate to mounted bolts and the front beam.
6. Tighten all screw joints.

