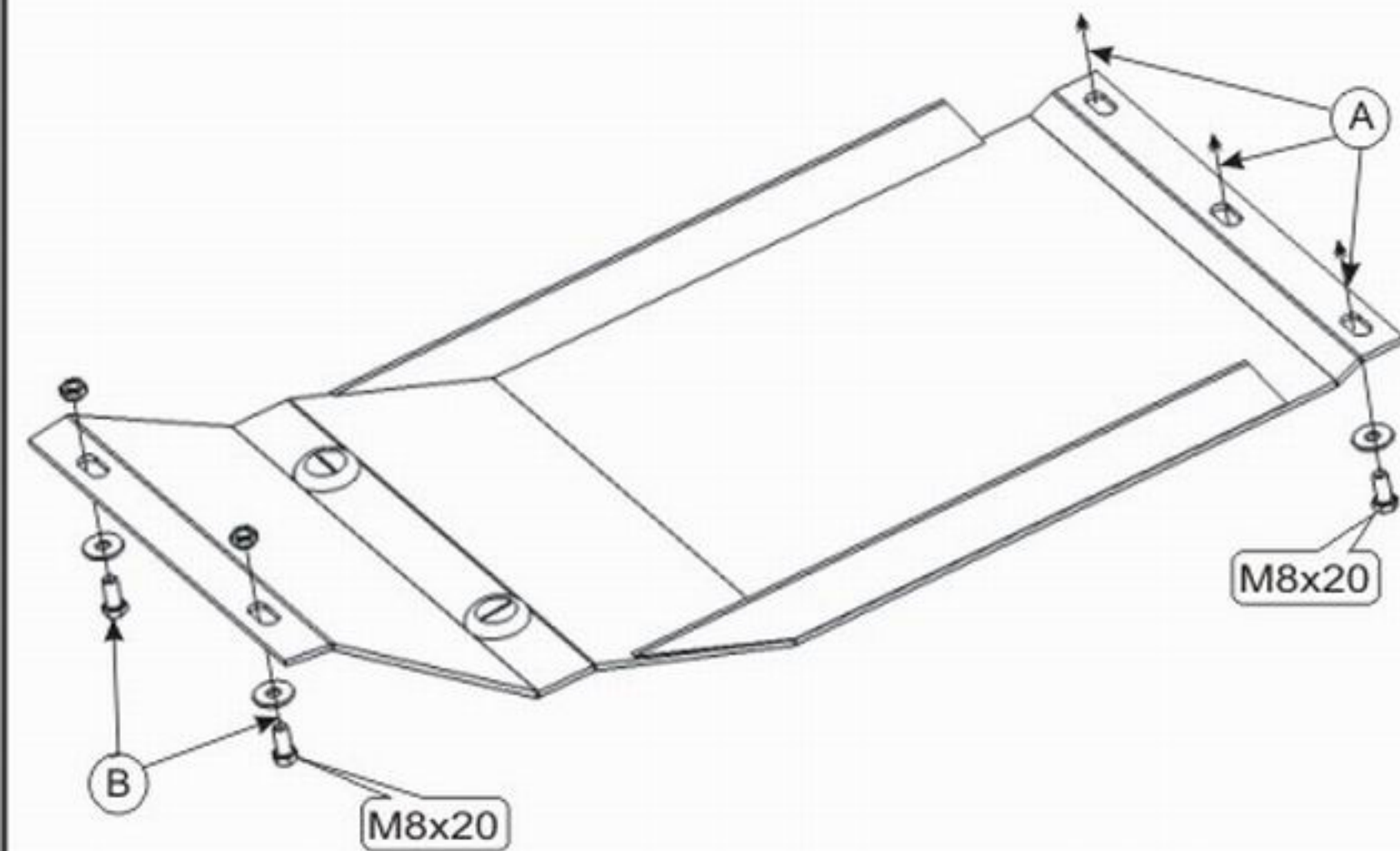


# BMW 5 skid plate for MT case

Body: E-39

VIN:- TYPE :3.401



1. The skid plate should be installed together with the skid plate for engine bay 3.294.
2. In front fix the skid plate to the skid plate for engine bay with bolts M 8x20 -(A).
3. In rear fix the skid plate to the cars cross bar with bolts3 M 8x20 -(B).
4. Tighten all screw joints.

