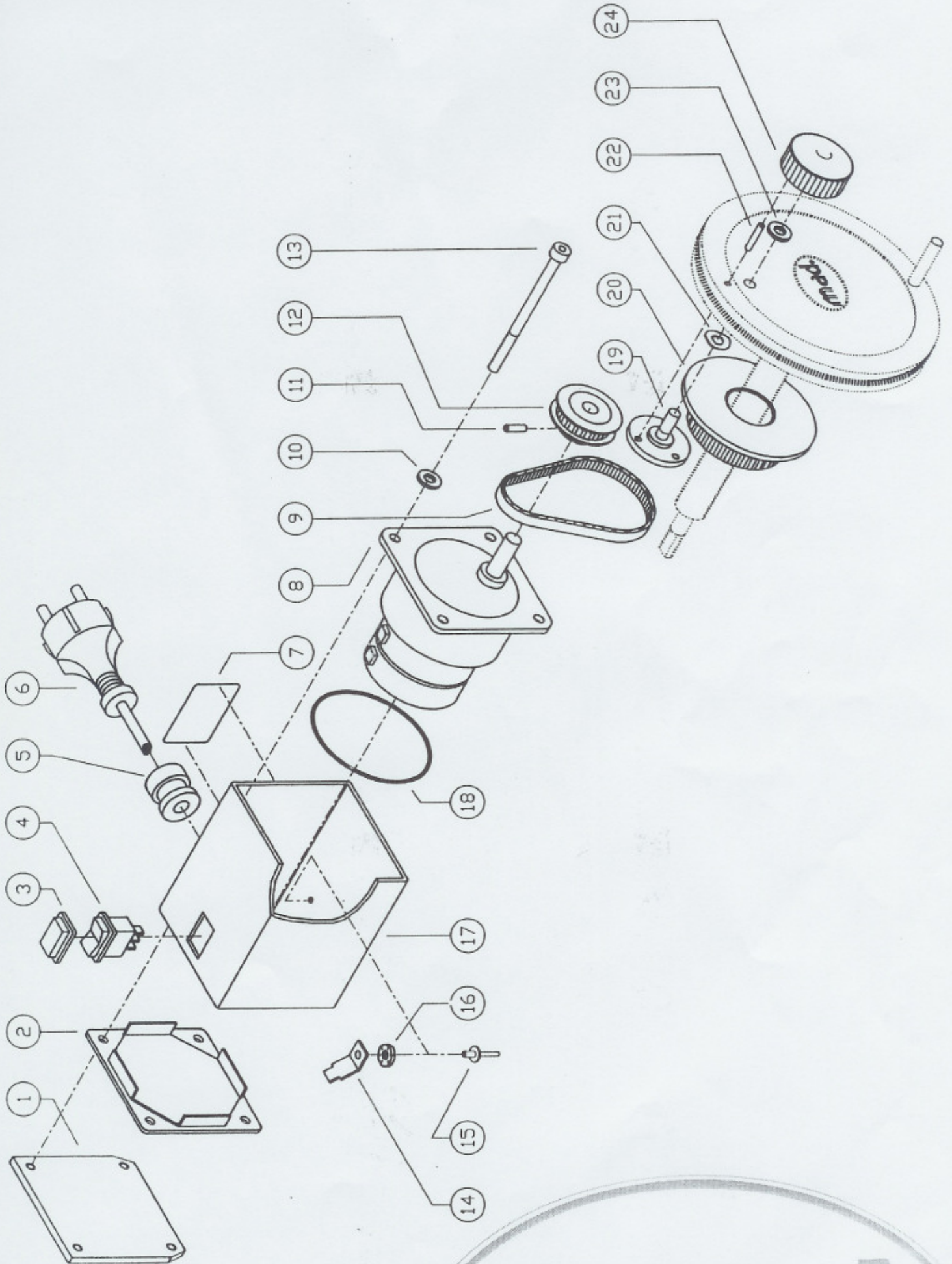
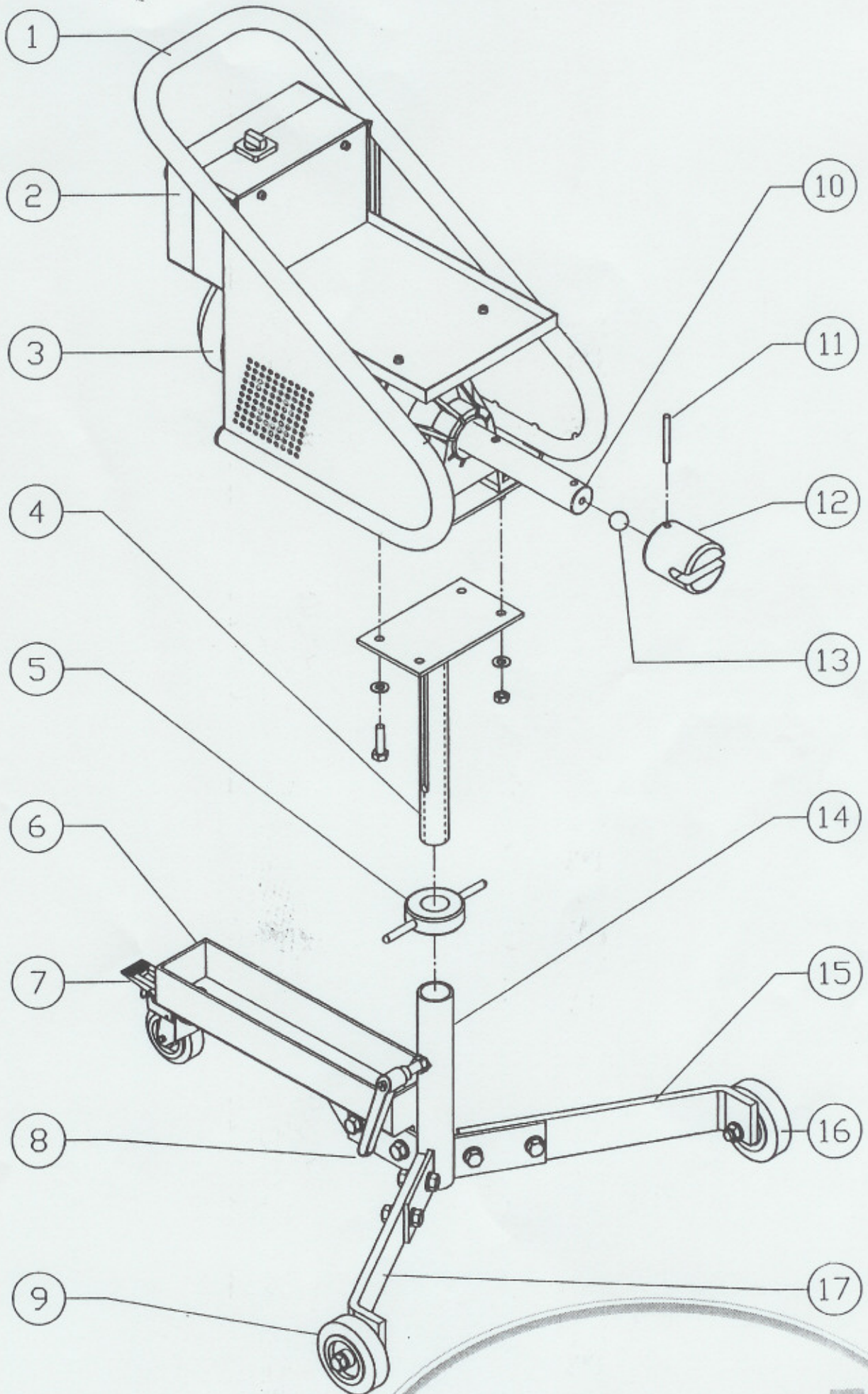


NR	DESCRIPTION	ARTICLE-NR.
1.	Securing bolt	8760167
2.	Cap	8720101
3.	Nut	8720102
4.	Lockwasher	8720117
5.	Bit	8720104
6.	Screw	8720105
7.	Slide	8720125
8.	Securing bolt	8760167
9.	Bit	8720104
10.	Screw	8720105
11.	Chisselholder (R)	8720126
12.	Adjusting Knob	8720128
13.	Washer	8720118
14.	Spring washer	8730108
15.	Nut	8730113
16.	Chisselholder (L)	8720127
17.	Adjusting knob	8720128
18.	Washer	8720118
19.	Spring washer	8730108
20.	Nut	8730113
21.	Slide	8720125
22.	Housing	9020114
23.	Washer	8720107
24.	Cross-piece	9020113
25.	Bolt	9020103
26.	O-ring	8720106
27.	Handwheel/spindle	9020115/116



NR	DESCRIPTION	ARTICLE-NR.
1.	Nutplate	9030129
2.	Backplate	9030180
3.	Protection cover	8730116
4.	Switch	8730217
5.	Bobin net	8730143
6.	Cable	8730148
7.	Sticker	9030147
8.	Motor	8730433
9.	Belt	8730135
10.	Washer	8730111
11.	Adjusting screw	8730107
12.	Toothwheel 1	8730136
13.	Bolt	9030122
14.	Earth plate	8730128
15.	Revite	8650178
16.	Lock washer	8730141
17.	Frame	9030129
18.	O-ring	8730146
19.	Friction lock	8730137
20.	Toothwheel 2	8730139
21.	Spring washer	8730108
22.	Pin	8730109
23.	Nylon washer	8730110
24.	Knob	8730138



NR	DESCRIPTION	ARTICLE-NR.
1.	Frame	9050144
2.	Electrical box	9050200
3.	Motor	9050133
4.	Spindle	9050137
5.	Adjusting nut	8650138
6.	Bracket swing	9050134
7.	Swing wheel	8650116
8.	Fixation handle	8650117
9.	Wheel	8650115
10.	Axe	9050192
11.	Roll pin	9050118
12.	Yoke	9050135
13.	Rubberball	8650145
14.	Spindle housing	9050139
15.	Bracket left	9050141
16.	Wheel	8650115
17.	Bracket right	9050142