



# Disc Aligner 8700



Part list

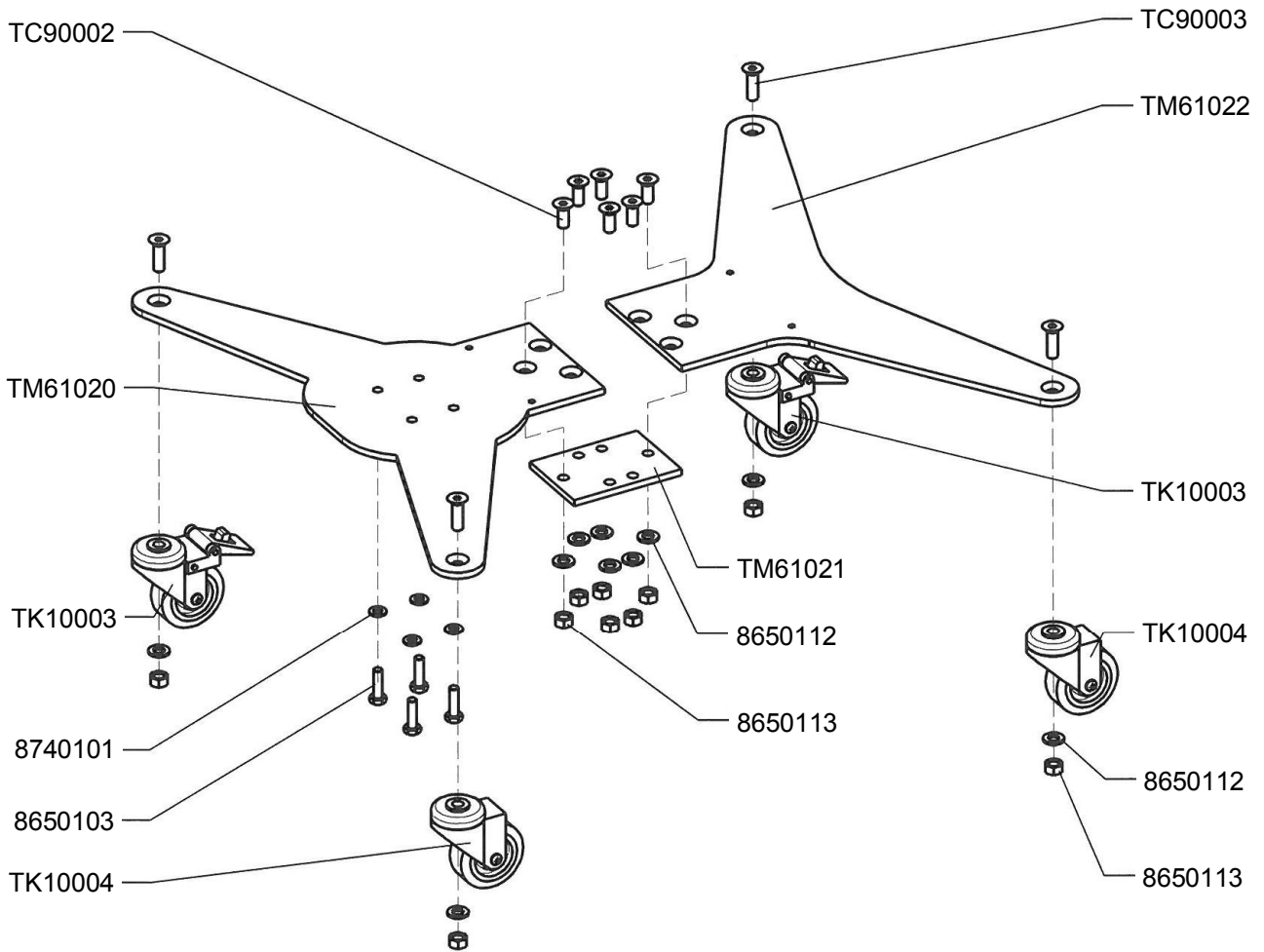
**MAD Holding B.V.**  
P.O.Box 760  
3900 AT Veenendaal  
The Netherlands

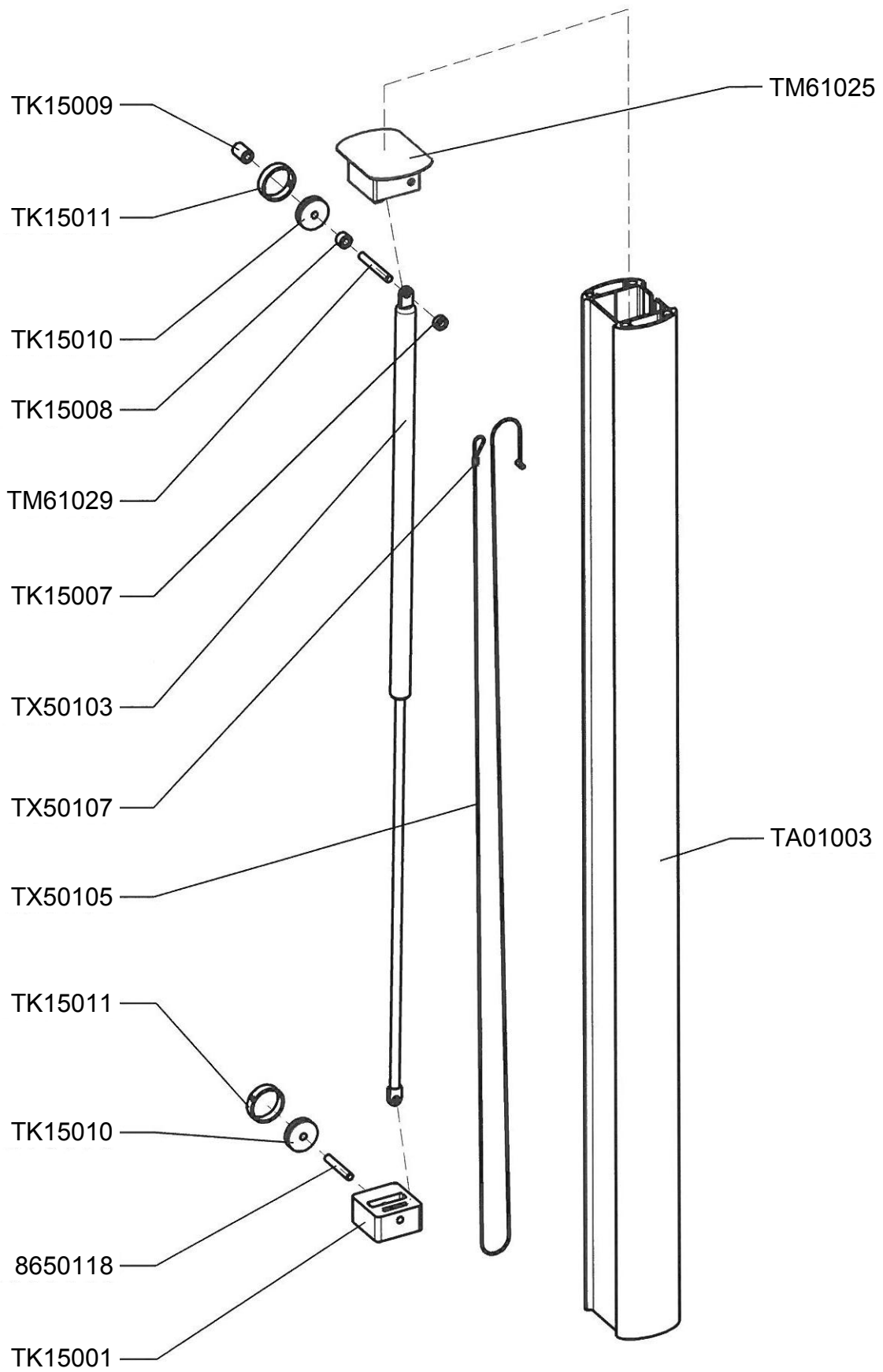
Tel. +31 (0) 318 58 61 00  
Fax +31 (0) 318 54 12 13  
<http://www.mad-tooling.com>  
E-mail: [info@mad-tooling.com](mailto:info@mad-tooling.com)

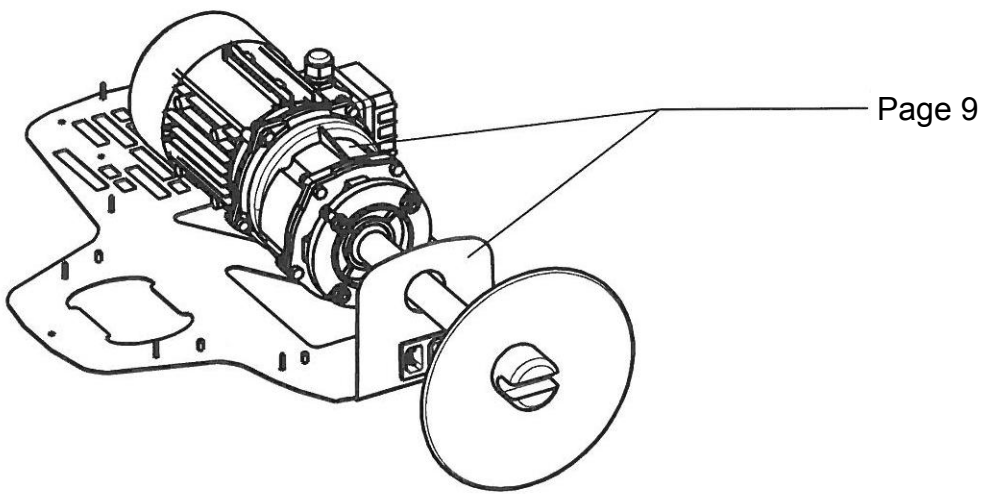
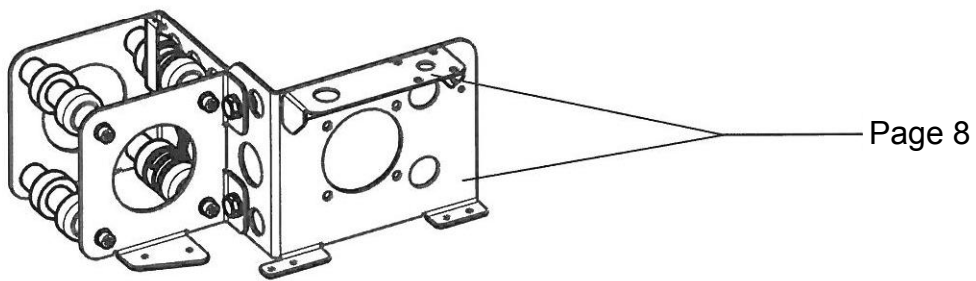
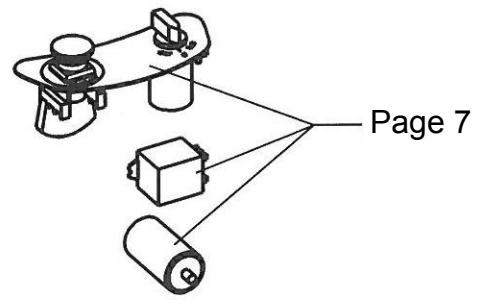
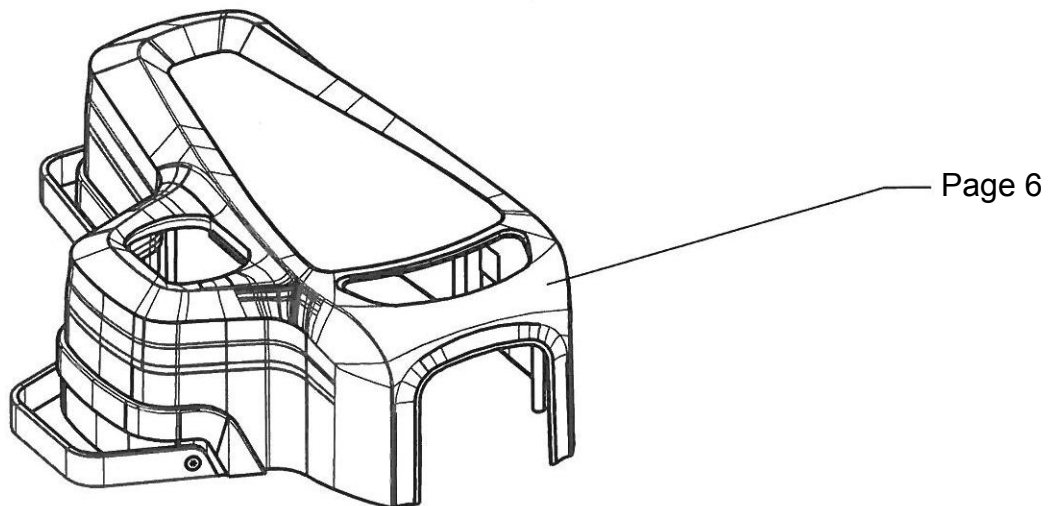


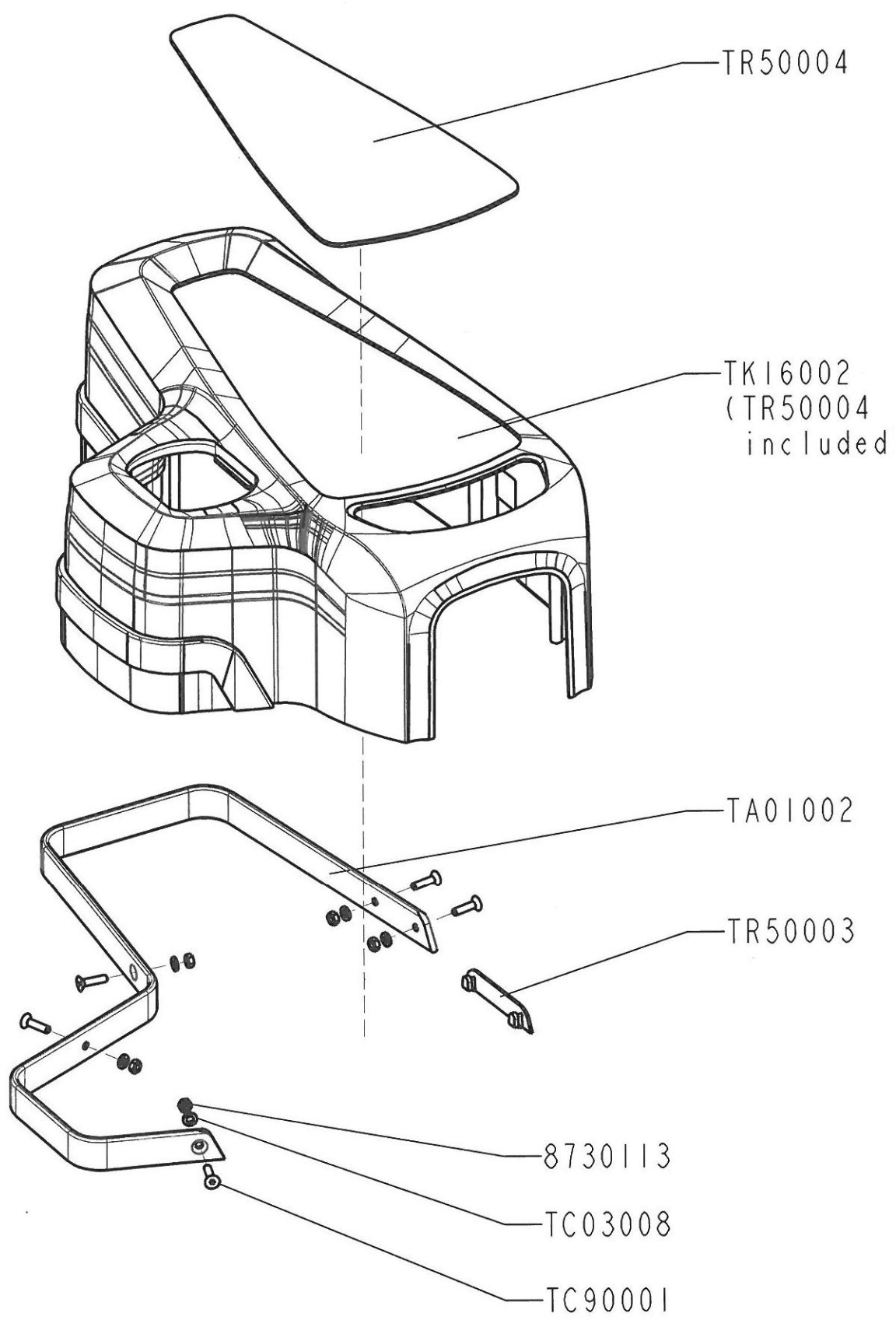
Part list  
53800101

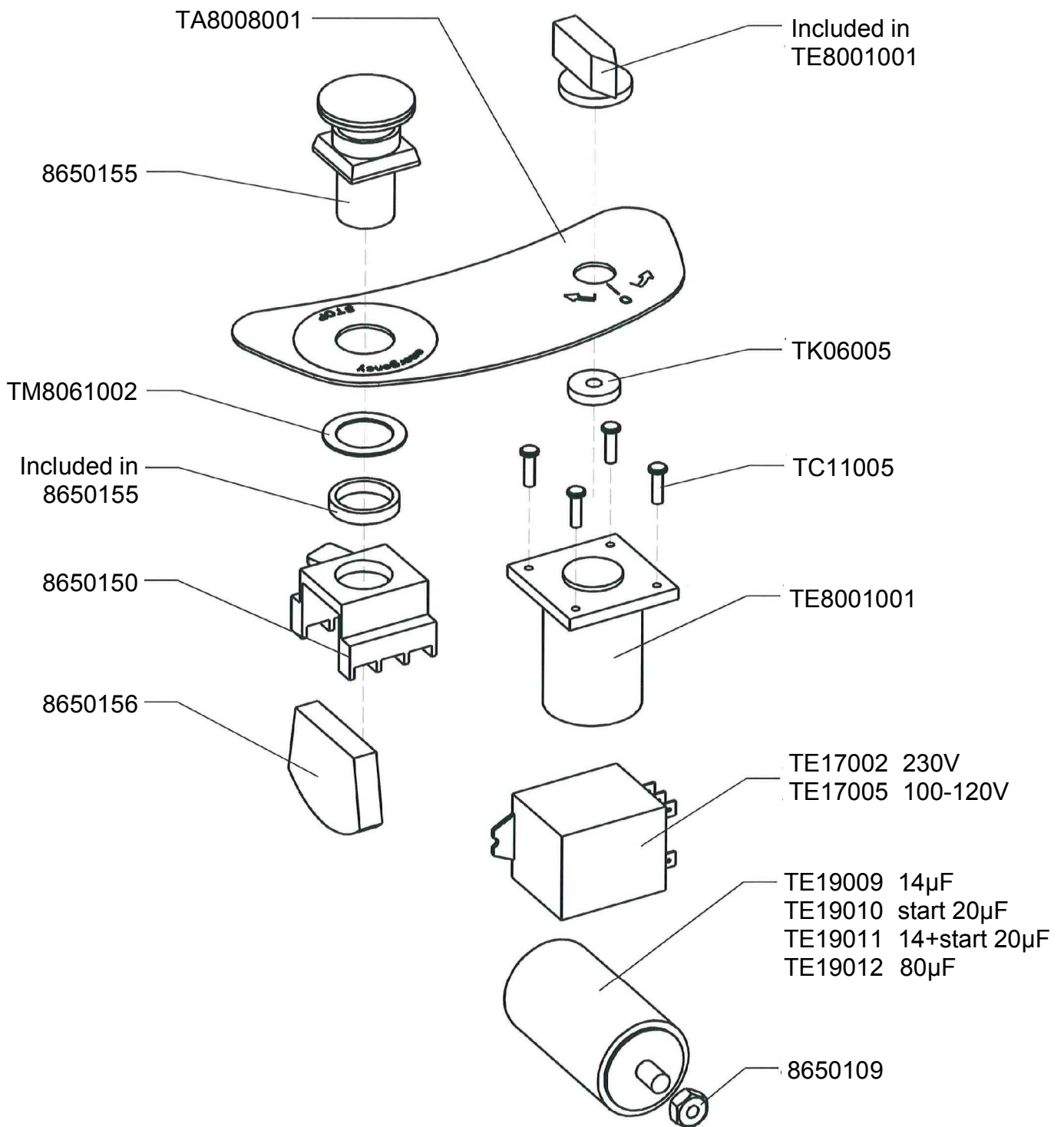


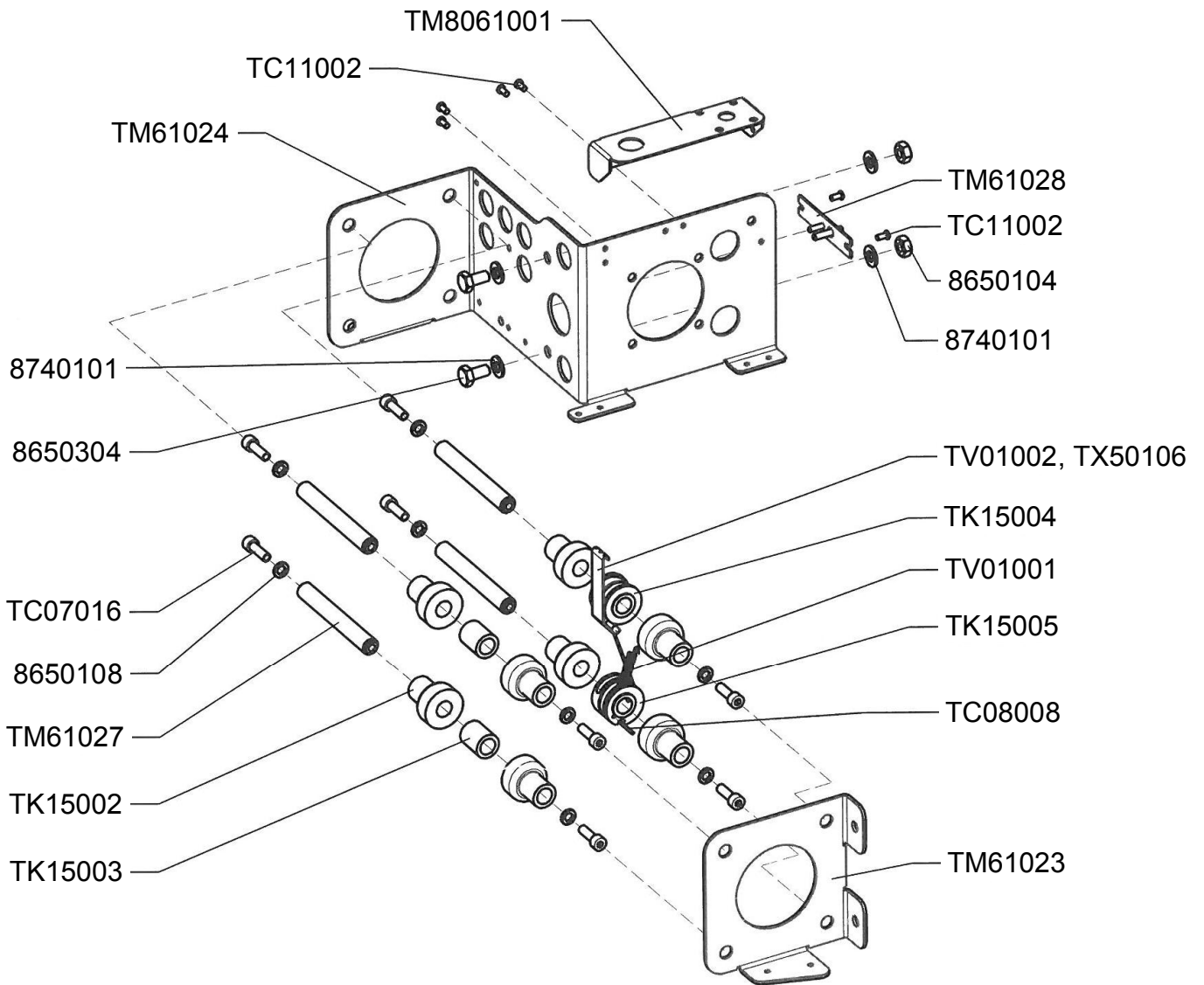




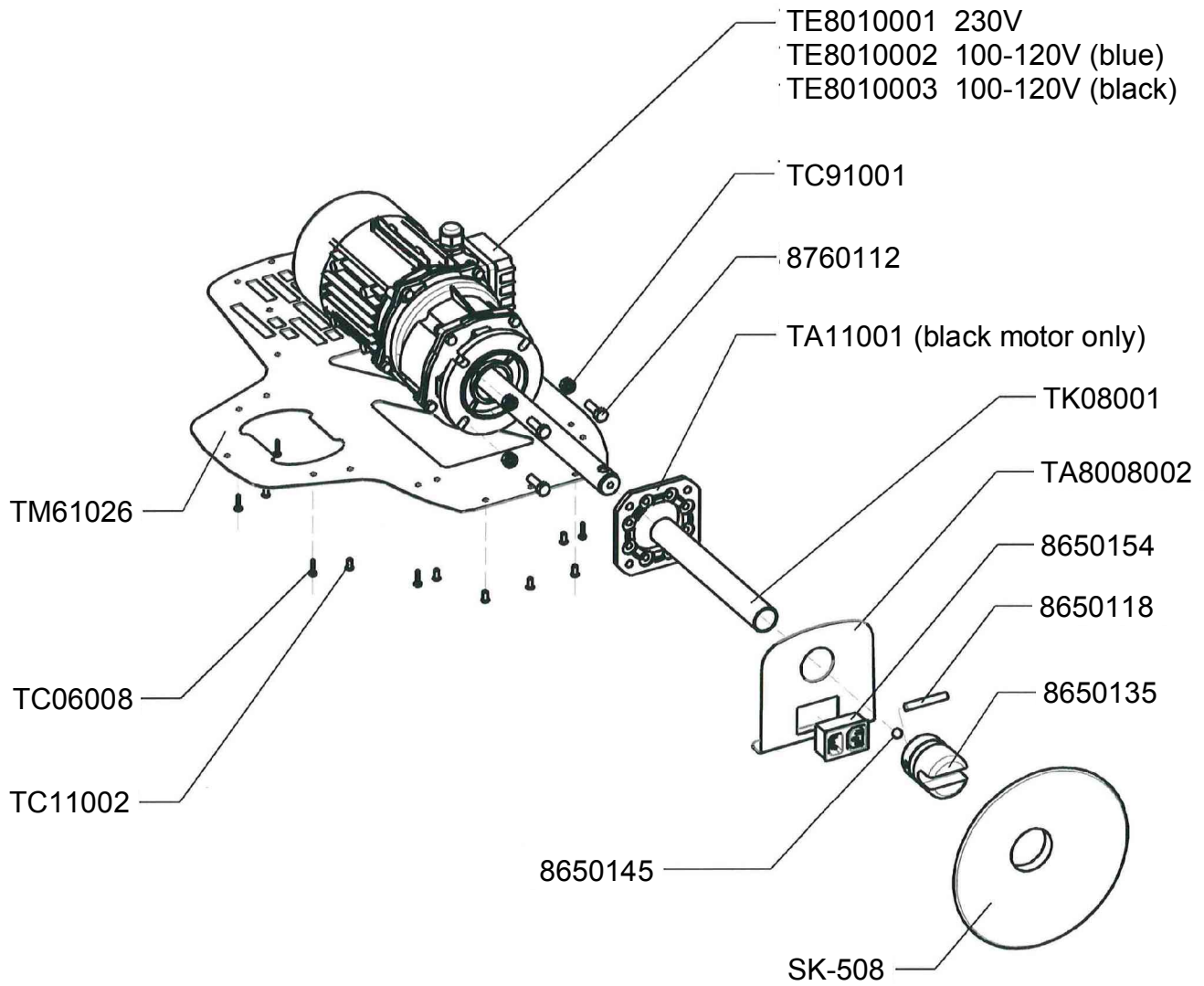


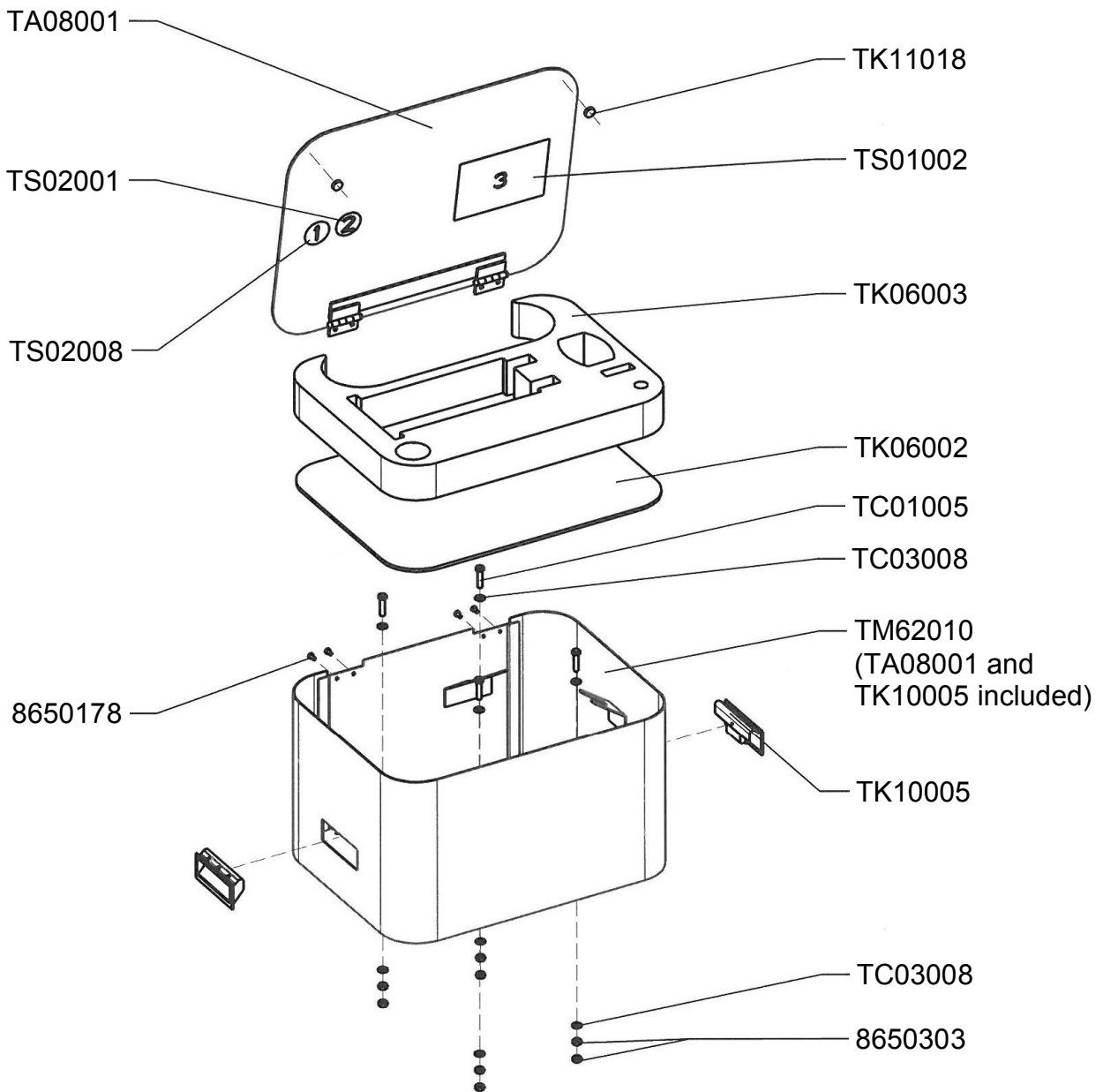


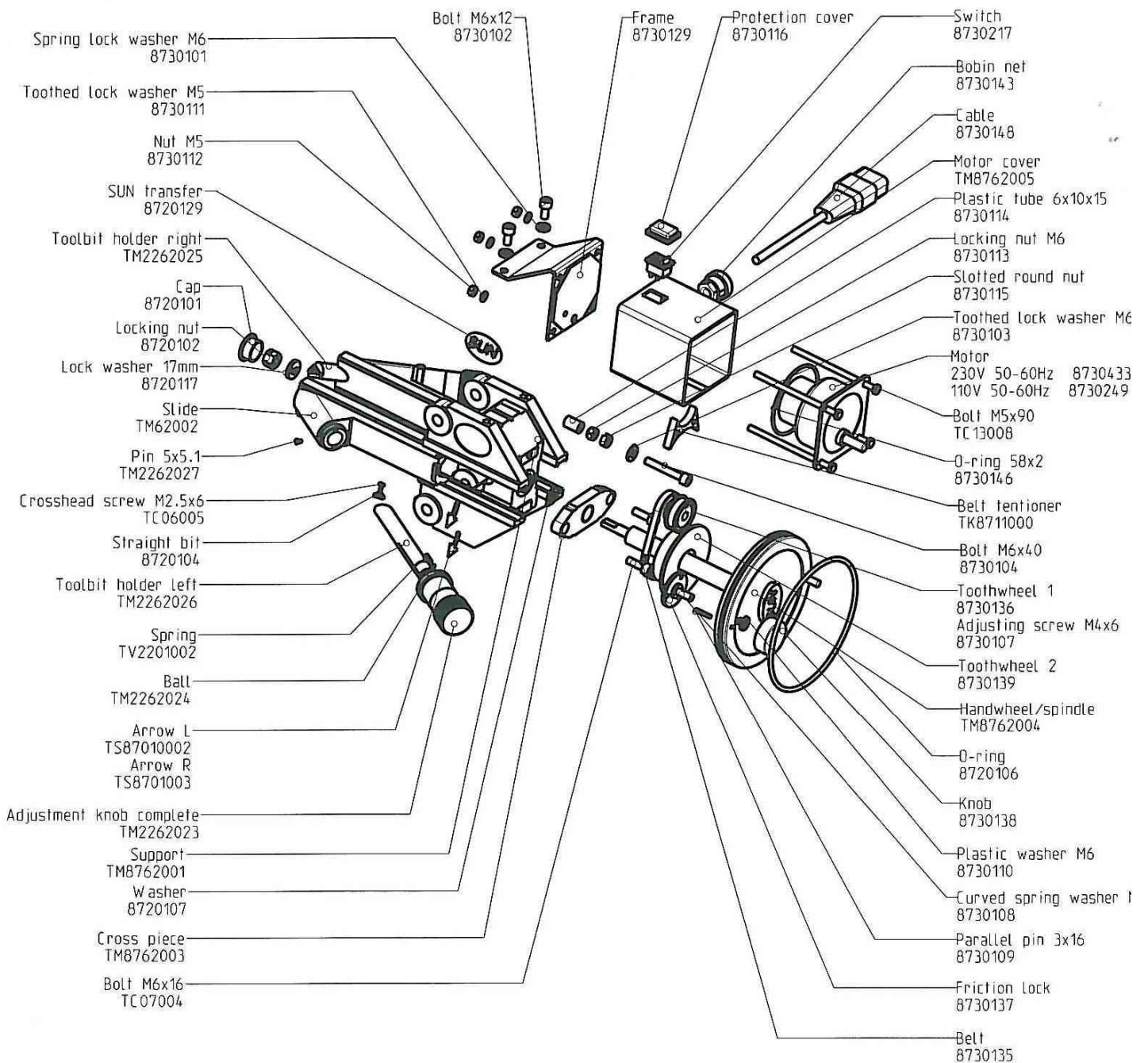


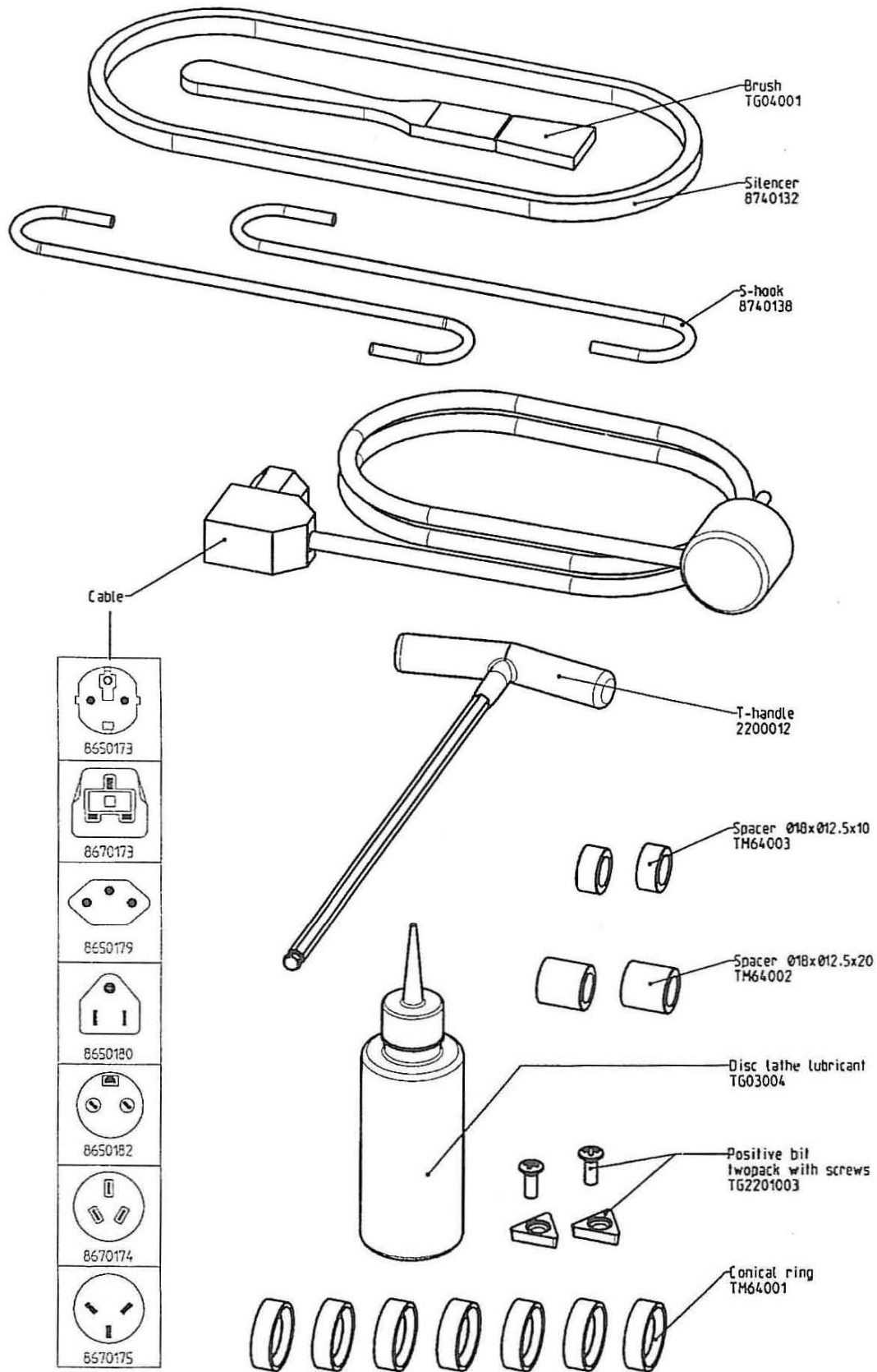






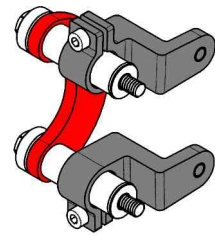




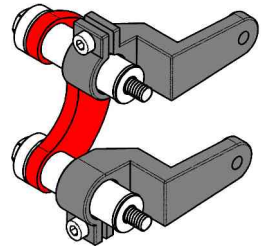


**Part list: Options**

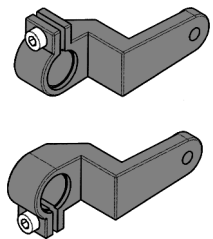
**USM2002-R2**      **Universal Slide Mount for caliper ears without thread.**  
**Colour red.**  
 Allows easy fitting of the disc lathe to almost every make and model car



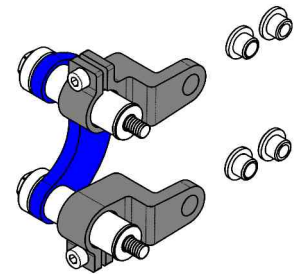
**USM2002-RL2**      **Universal Slide Mount for caliper ears without thread, equipped with extension brackets.**  
**Colour red.**  
 For use with large brake disc diameters



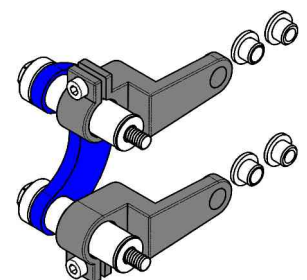
**22000RL**      **Extension brackets for USM2002-R2**  
 For use with large brake disc diameters



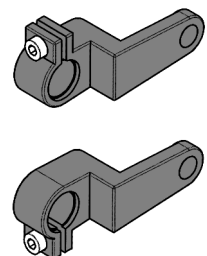
**USM2002-B3**      **Universal Slide Mount for caliper ears with thread.**  
**Colour blue.**  
 Allows easy fitting of the disc lathe to almost every make and model car  
 Inserts (included) ensure a tight connection ruling out any vibrations



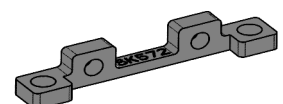
**USM2002-BL3**      **Universal Slide Mount for caliper ears with thread, equipped with extension brackets.**  
**Colour blue.**  
 For use with large brake disc diameters



**22000BL**      **Extension brackets for USM2002-B3**  
 For use with large brake disc diameters



**SK-572**      **Mounting plate Honda / Acura**  
 For use, in combination with USM, on radial mounted brakes of the Legend

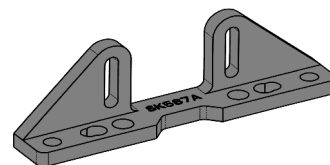


## Part list: Options

SK-587B

**Mounting plate radial brakes**

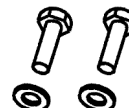
For radial mounted brakes on Ferrari, Lexus, Porsche, VAG. Bolt kit for the specific make must also be ordered



SK-411

**Set of two M9 bolts**

Bolts M9x30



SK-443

**Set of VAG accessories**

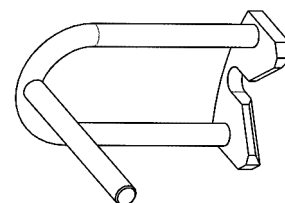
Mounting kit for VAG Golf IV/V/VI platforms and the derivatives of Audi, Seat and Skoda  
Plastic storage box and index included



SK-509C

**Drive adapter**

For 4WD vehicles with large wheel hub

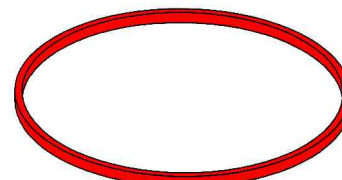


8740132

**Silencer band**

Dimension Ø220x8

For disc diameters from 240 mm upwards  
To reduce noise and get a smooth finish

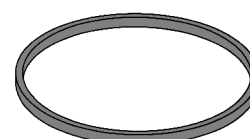


SK-402

**Small silencer**

Dimension Ø160x8

For disc diameters 175 to 240 mm  
To reduce noise and get a smooth finish

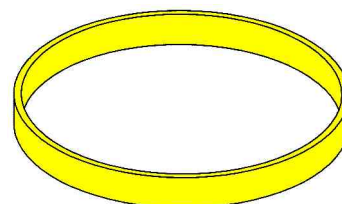


SK-410

**Width silencer band**

Dimension Ø220x24

For disc diameters from 240 to 350 mm  
To reduce noise and get a smooth finish



TG2201002

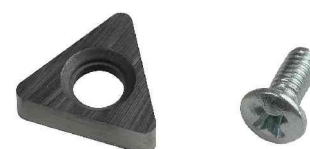
**2-pack tool bits**

(with cross head M2.5 screws)

TG01002

**10-pack tool bits**

(with cross head M2.5 screws)



TG2201003

**2-pack positive angle tool bits**

(with cross head M2.5 screws)

TG01003

**10-pack positive angle tool bits**

(with cross head M2.5 screws)









**MAD Holding B.V.**

P.O.Box 760  
3900 AT Veenendaal  
The Netherlands

Tel. +31 (0) 318 58 61 00  
Fax +31 (0) 318 54 12 13  
E-mail: [info@mad-tooling.com](mailto:info@mad-tooling.com)  
Web: [www.mad-tooling.com](http://www.mad-tooling.com)