



Disc Aligner 2002



Part list 53200503
English

MAD Holding B.V.

P.O.Box 760

3900 AT Veenendaal

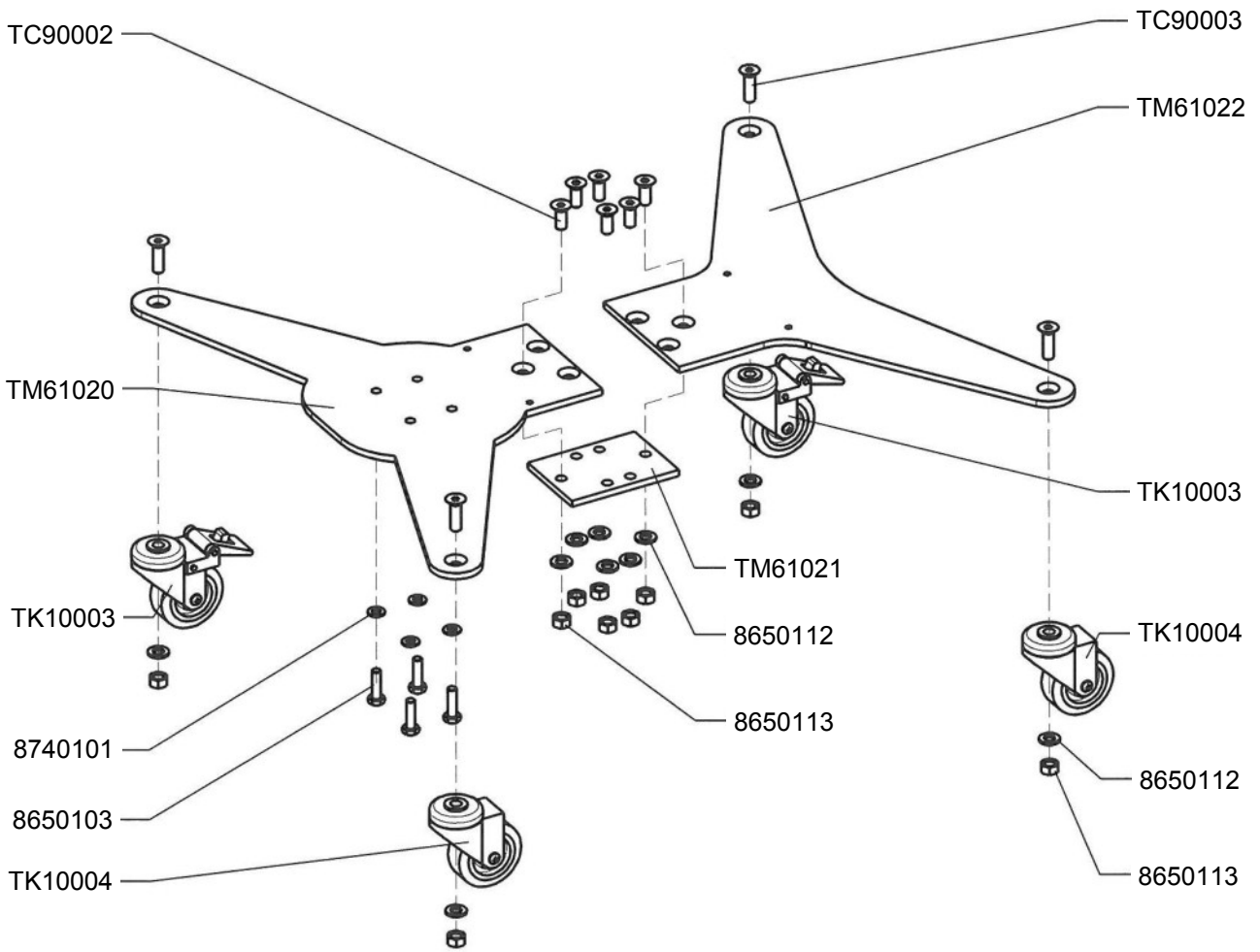
The Netherlands

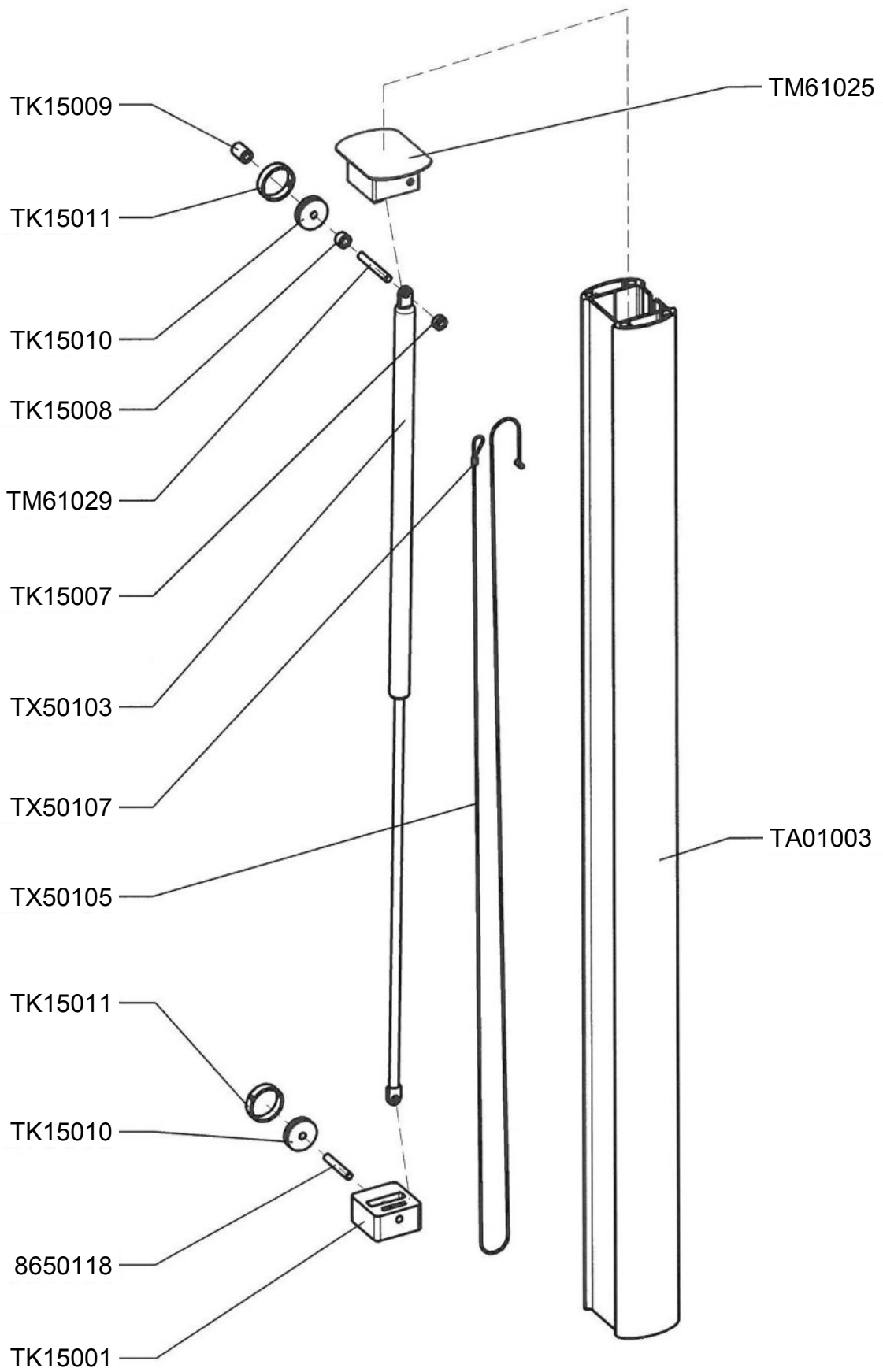
Tel. +31 (0) 318 58 61 00

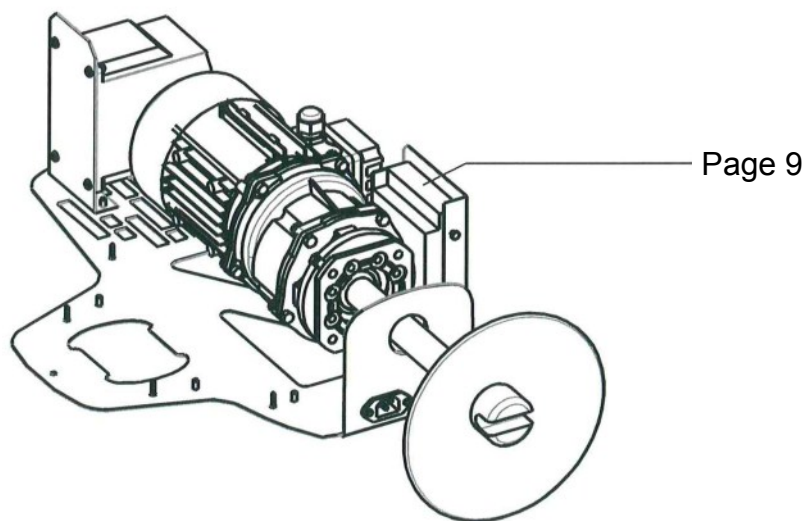
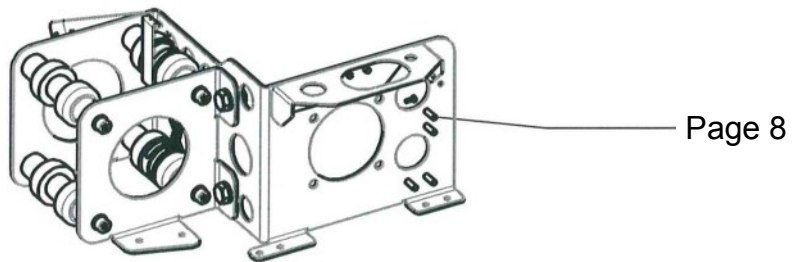
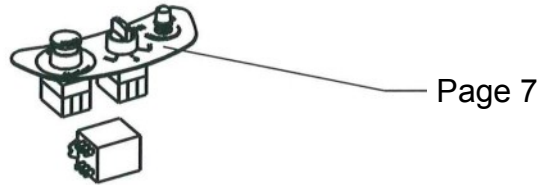
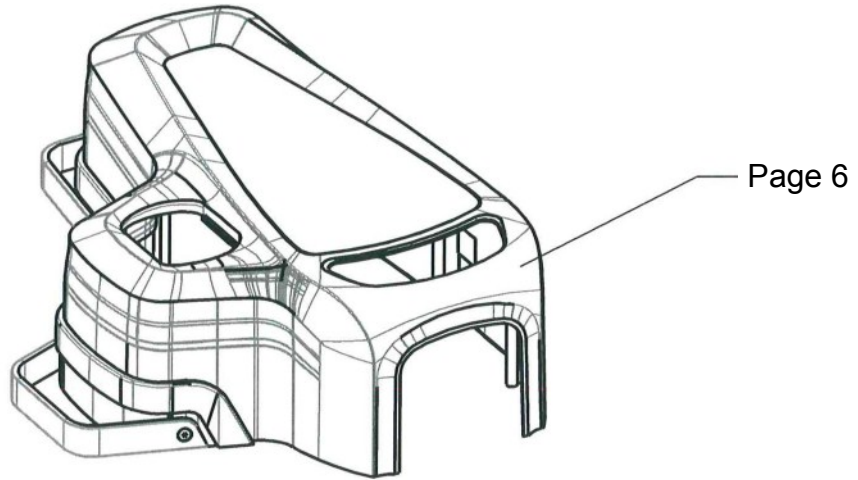
Fax +31 (0) 318 54 12 13

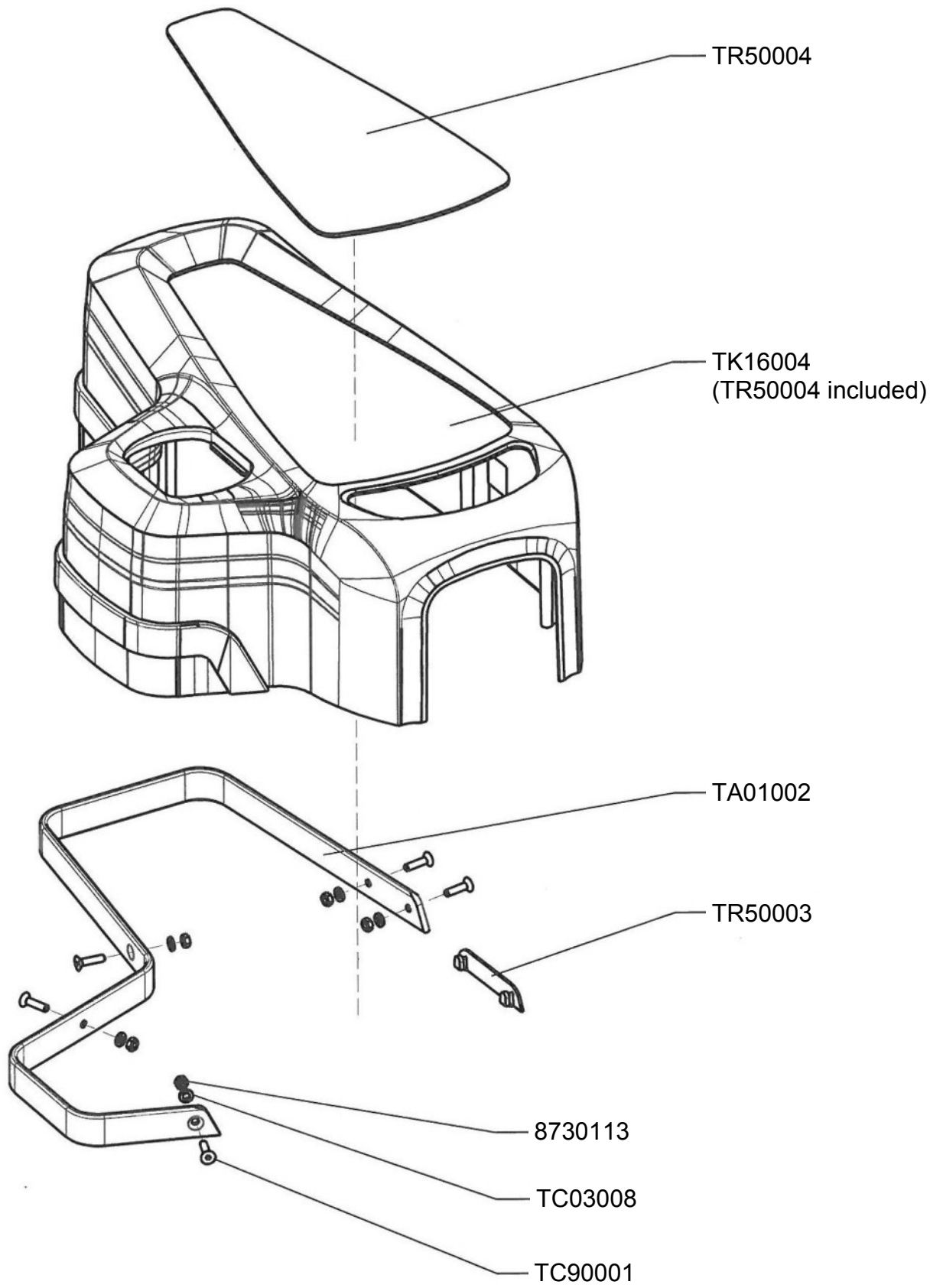
<http://www.mad-tooling.com>

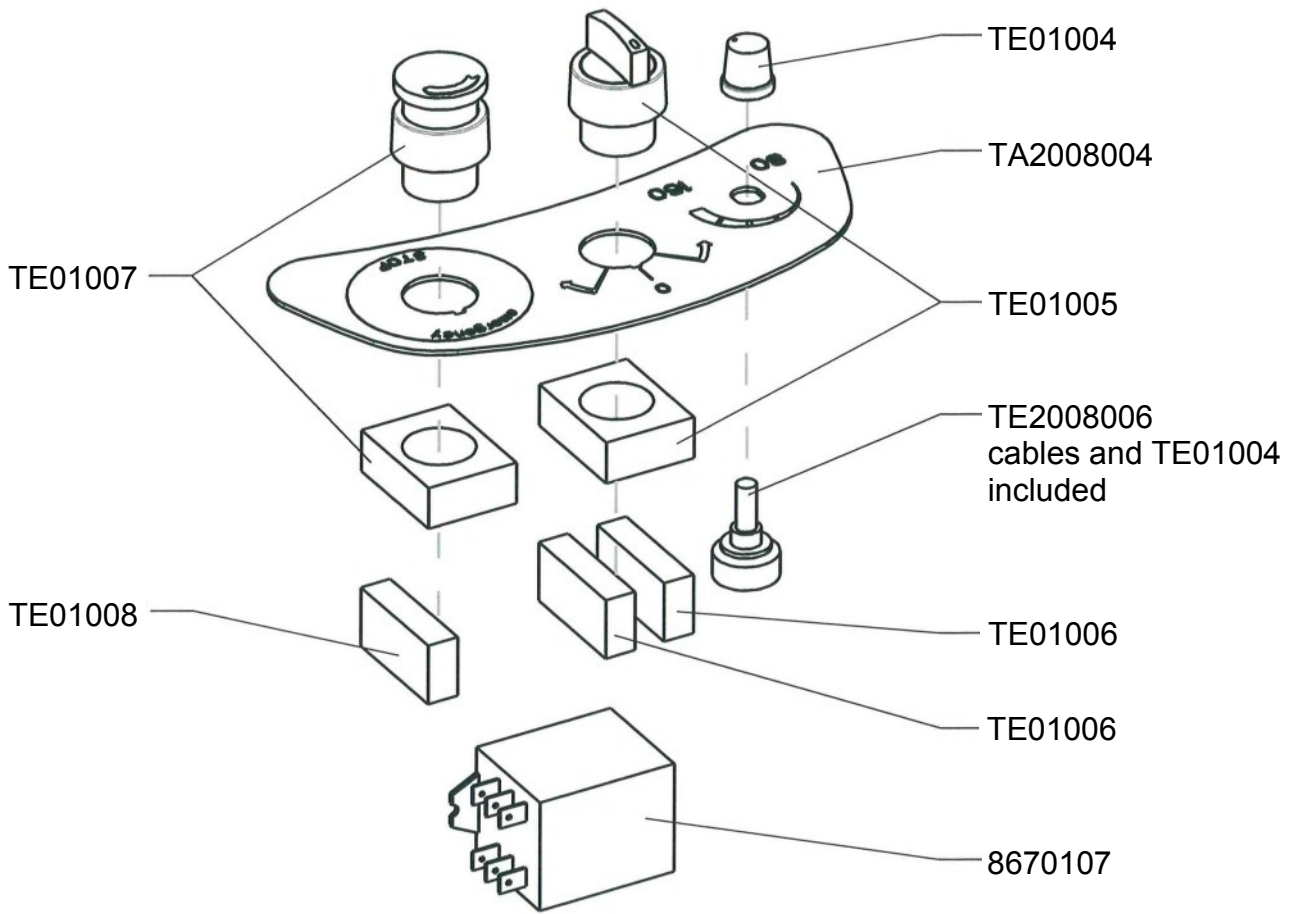
E-mail: info@mad-tooling.com

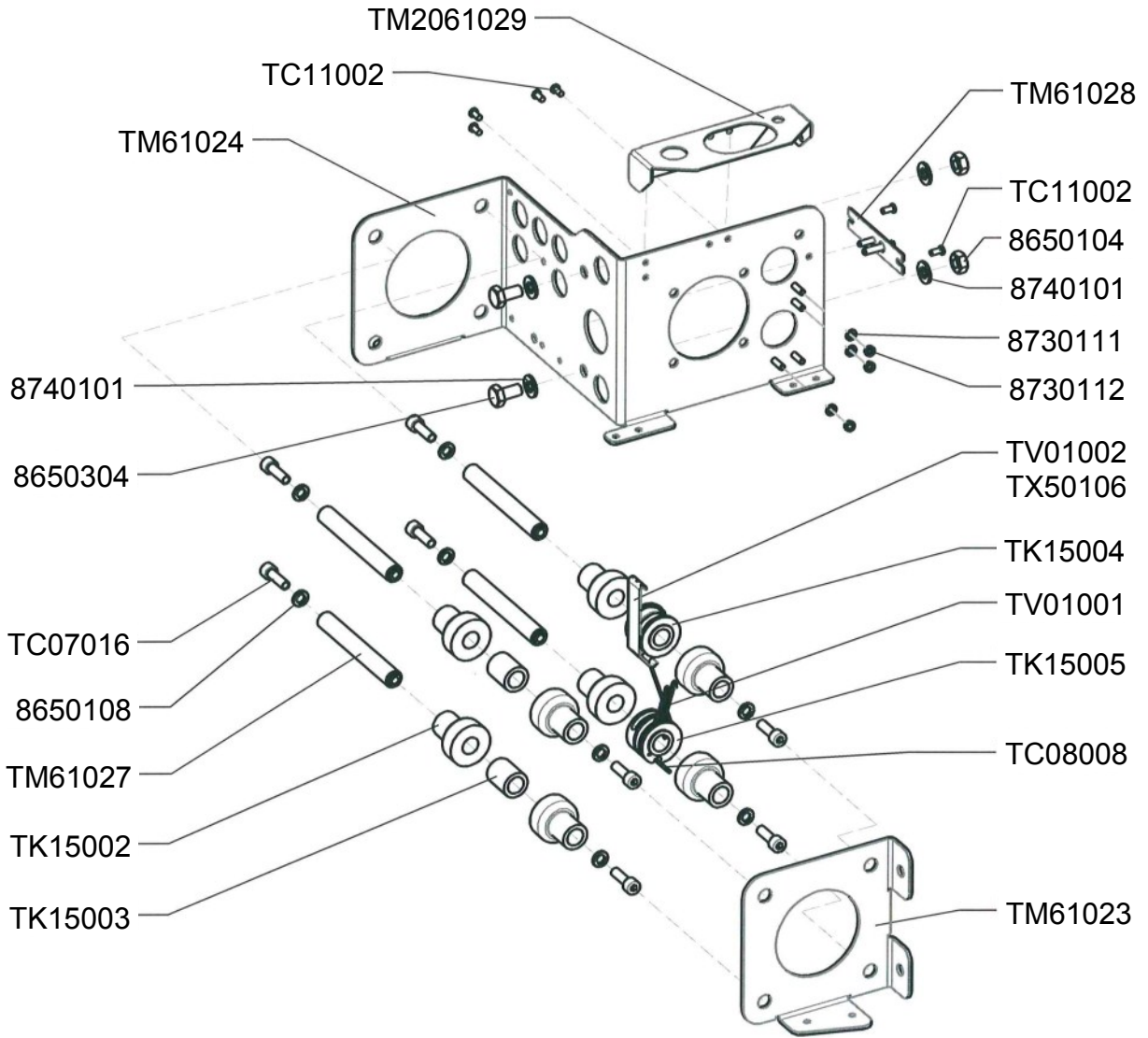


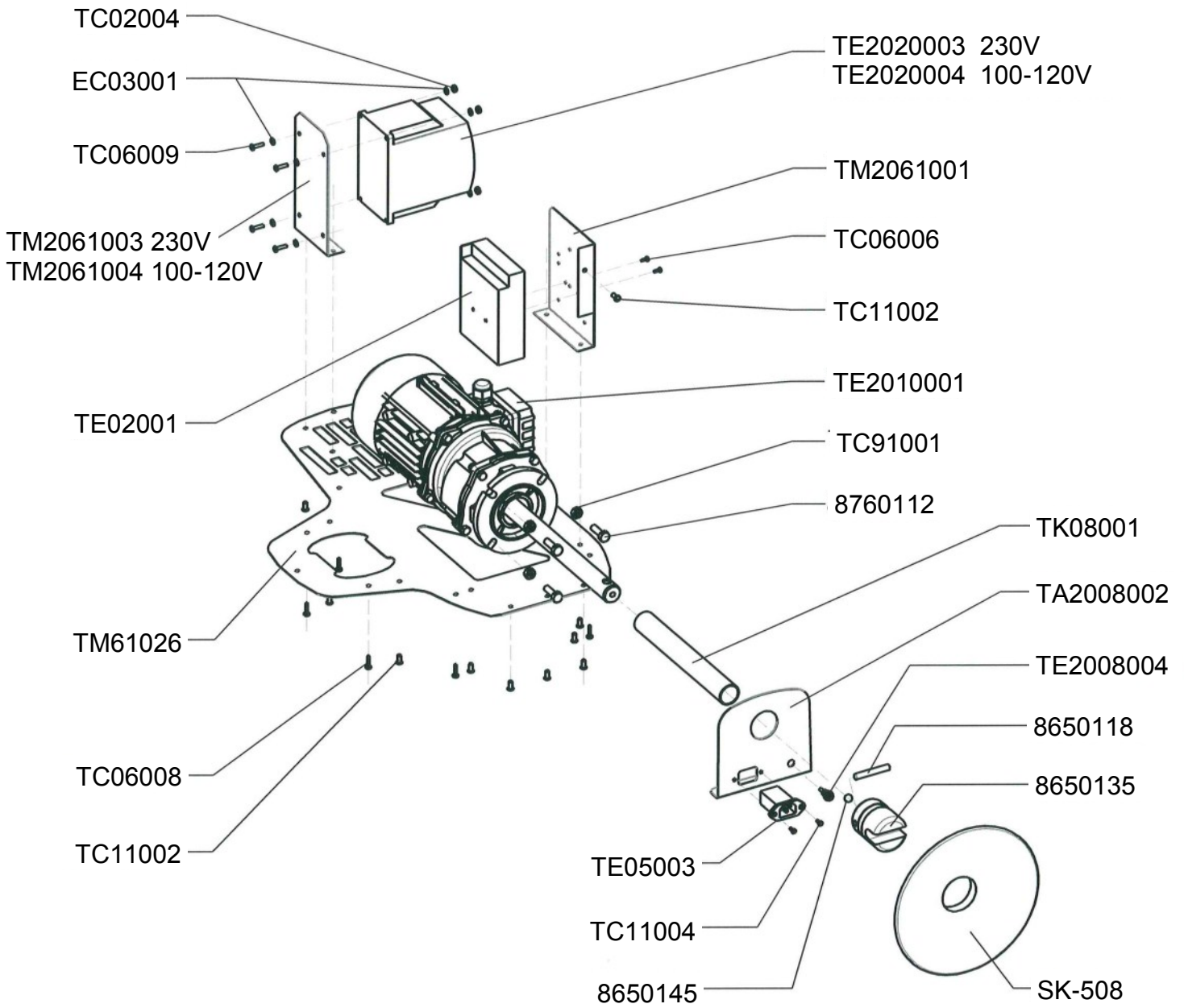


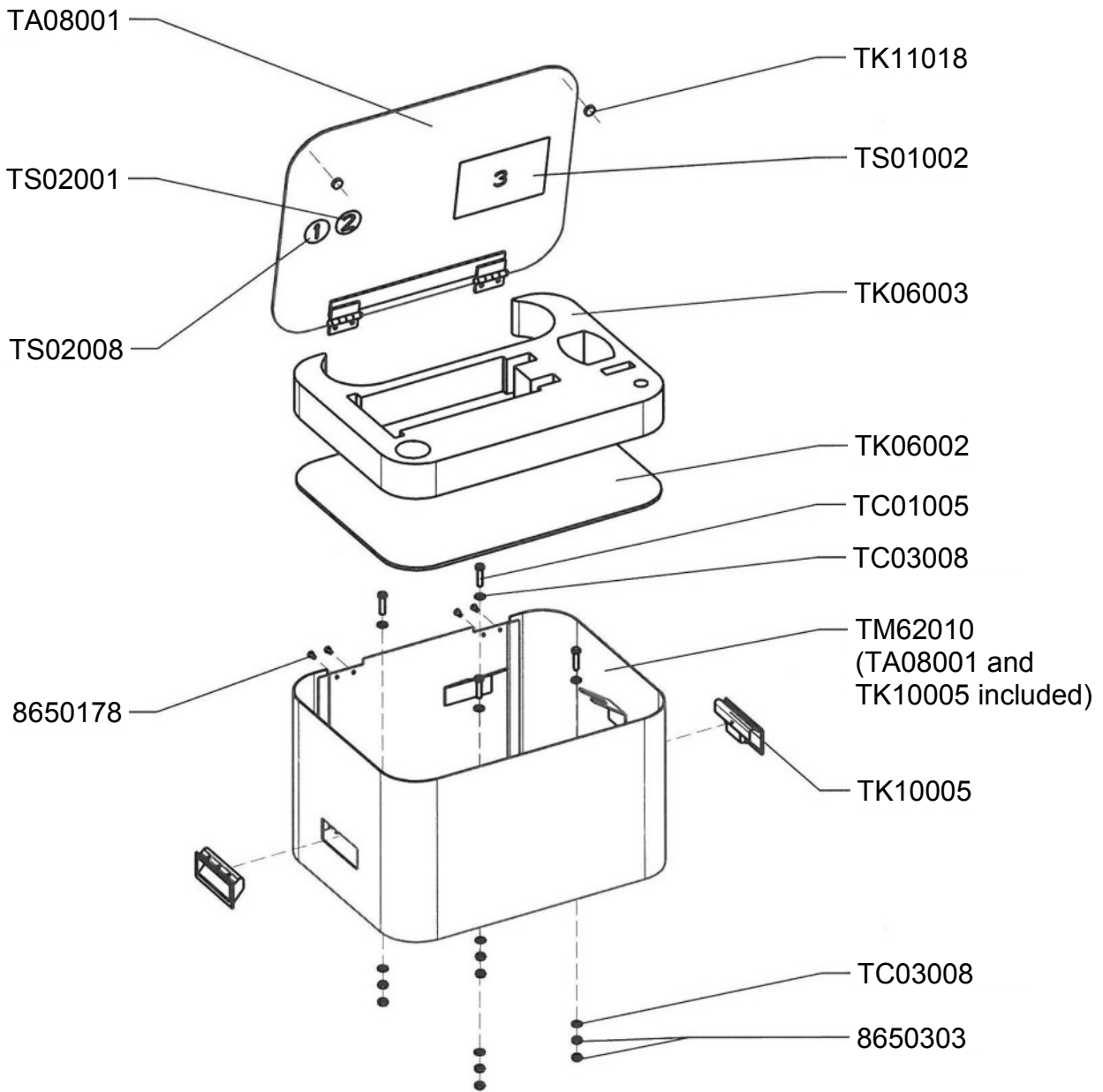


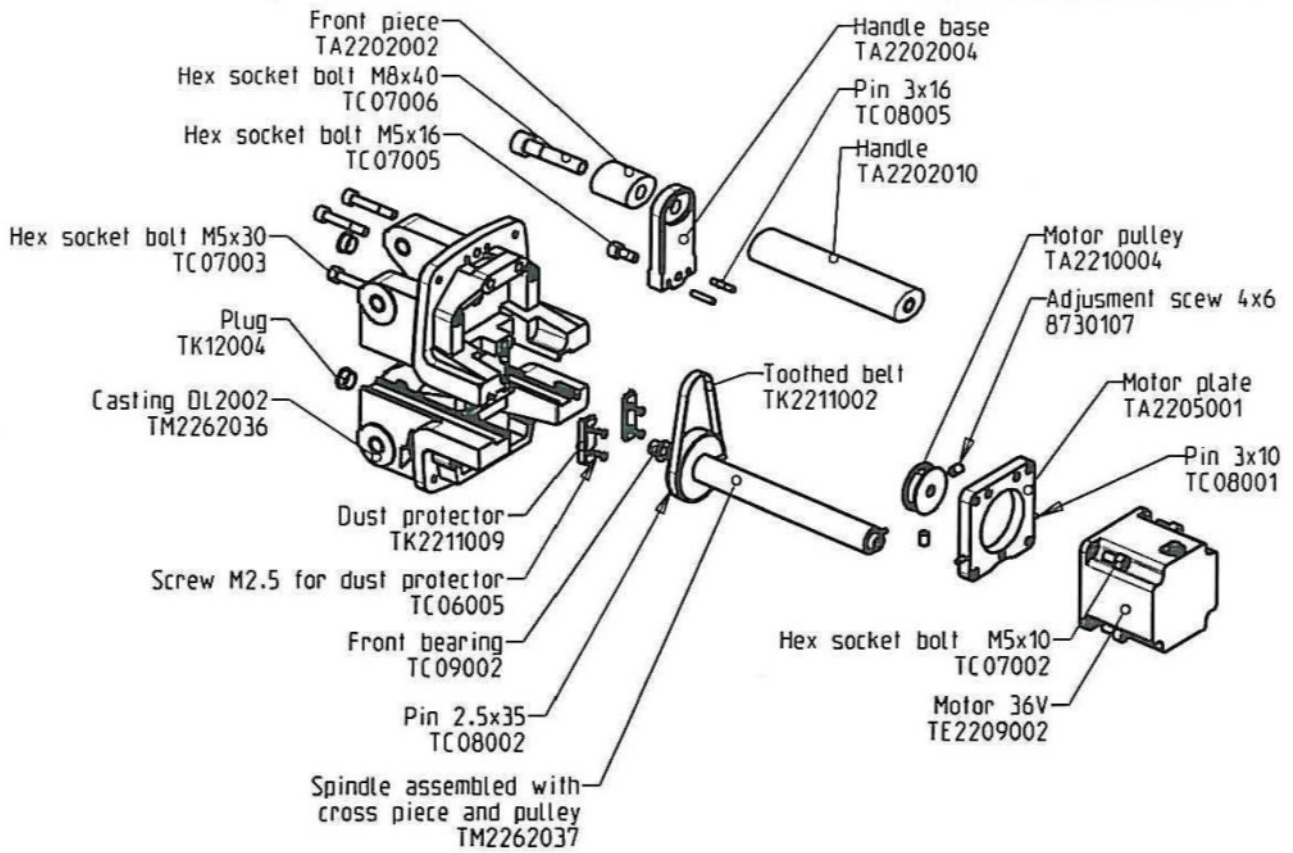


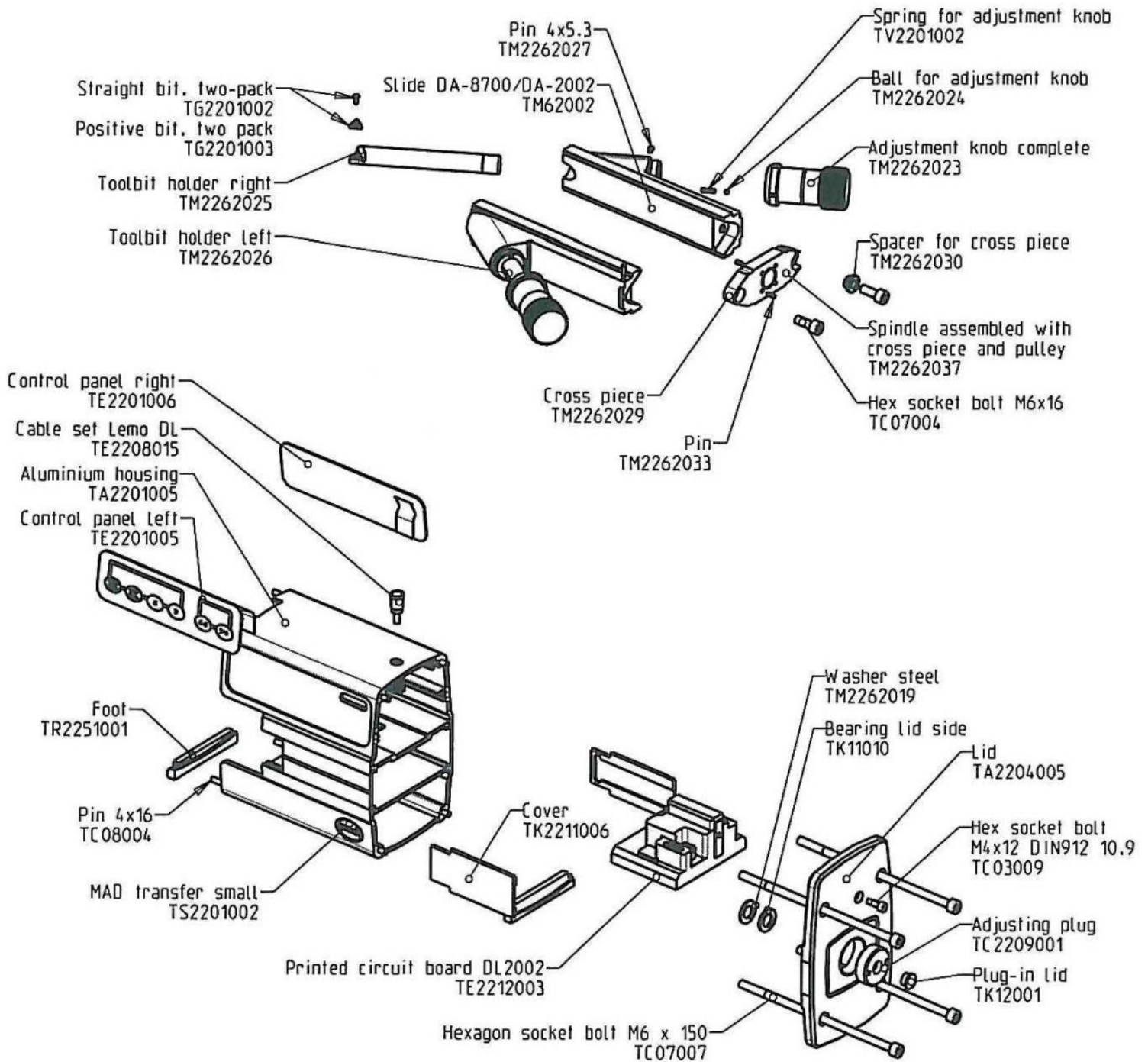


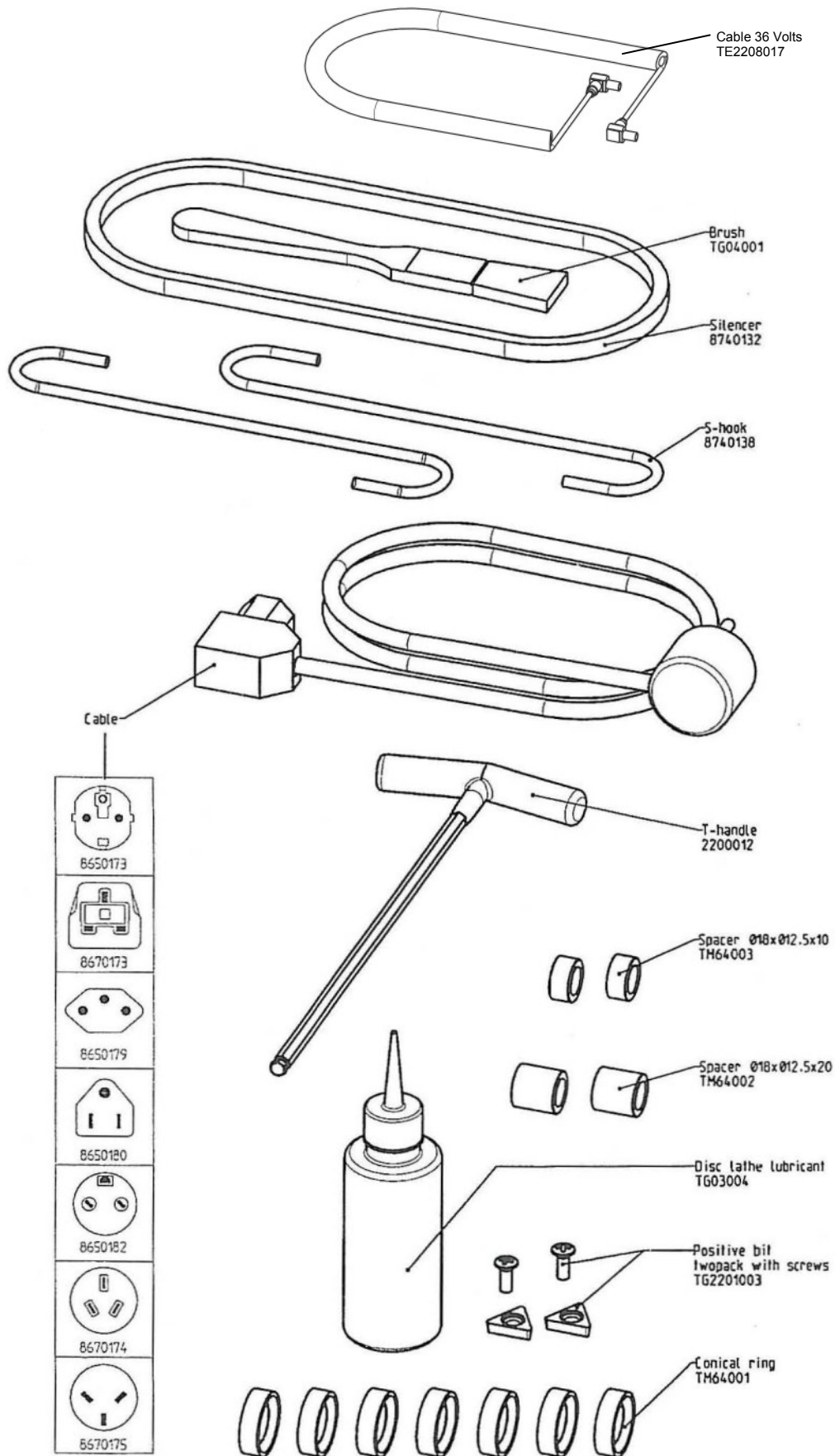






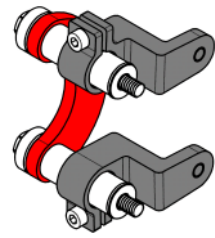




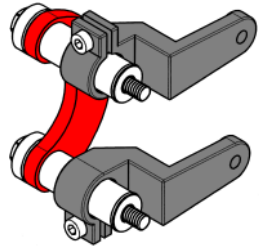


Part list: Options

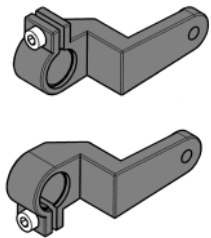
USM2002-R2 **Universal Slide Mount for caliper ears without thread.**
Colour red.
 Allows easy fitting of the disc lathe to almost every make and model car



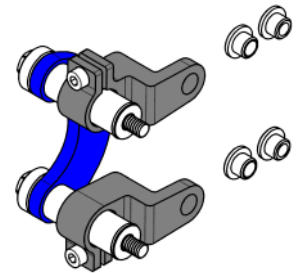
USM2002-RL2 **Universal Slide Mount for caliper ears without thread, equipped with extension brackets.**
Colour red.
 For use with large brake disc diameters



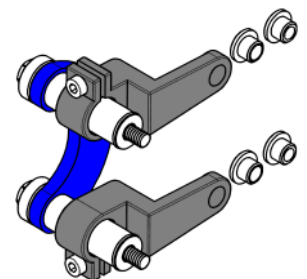
22000RL **Extension brackets for USM2002-R2**
 For use with large brake disc diameters



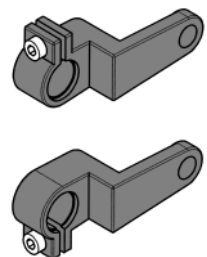
USM2002-B3 **Universal Slide Mount for caliper ears with thread.**
Colour blue.
 Allows easy fitting of the disc lathe to almost every make and model car
 Inserts (included) ensure a tight connection ruling out any vibrations



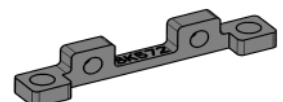
USM2002-BL3 **Universal Slide Mount for caliper ears with thread, equipped with extension brackets.**
Colour blue.
 For use with large brake disc diameters



22000BL **Extension brackets for USM2002-B3**
 For use with large brake disc diameters

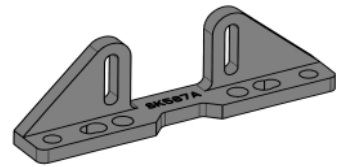


SK-572 **Mounting plate Honda / Acura**
 For use, in combination with USM, on radial mounted brakes of the Legend

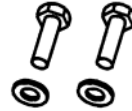


Part list: Options

SK-587A **Mounting plate radial brakes**
 For radial mounted brakes on Ferrari, Lexus, Porsche, VAG. Bolt kit for the specific make must also be ordered



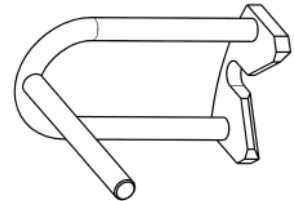
SK-411 **Set of two M9 bolts**
 Bolts M9x30



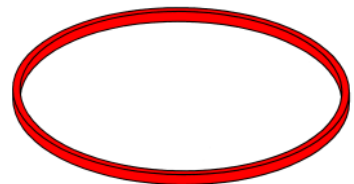
SK-443 **Set of VAG accessories**
 Mounting kit for VAG Golf IV/V/VI platforms and the derivatives of Audi, Seat and Skoda
 Plastic storage box and index included



SK-509C **Drive adapter**
 For 4WD vehicles with large wheel hub



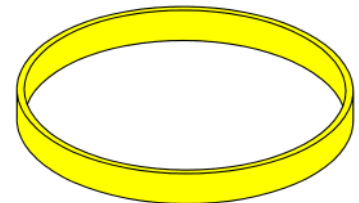
8740132 **Silencer band**
 Dimension Ø220x8
 For disc diameters from 240 mm upwards
 To reduce noise and get a smooth finish



SK-402 **Small silencer**
 Dimension Ø160x8
 For disc diameters 175 to 240 mm
 To reduce noise and get a smooth finish



SK-410 **Width silencer band**
 Dimension Ø220x24
 For disc diameters from 240 to 350 mm
 To reduce noise and get a smooth finish



TG2201002 **2-pack tool bits**
 (with cross head M2.5 screws)

TG01002 **10-pack tool bits**
 (with cross head M2.5 screws)



TG2201003 **2-pack positive angle tool bits**
 (with cross head M2.5 screws)

TG01003 **10-pack positive angle tool bits**
 (with cross head M2.5 screws)





MAD Holding B.V.
P.O.Box 760
3900 AT Veenendaal
The Netherlands
Tel. +31 (0) 318 58 61 00
Fax +31 (0) 318 54 12 13
<http://www.mad-tooling.com>
E-mail: info@mad-tooling.com